

Receiver

From

Company
Reference
Address
Phone
Fax
E-mail

Item n° : 103002754
Customer pos. no.:

Model :
NOVA 600 M-NA SV

Pump data

Free passage : 10 mm
Pressure rating :
Min. fluid temperature : 0 °C
Max. fluid temperature : 35 °C
Max. Ambient temperature : 40 °C

Requested data

Flow :
Head :
Fluid : Water
Fluid Temperature : 20 °C
Density : 998,3 kg/m³
Kinematic viscosity : 1,005 mm²/s
Vapor pressure : 0,33938 psi

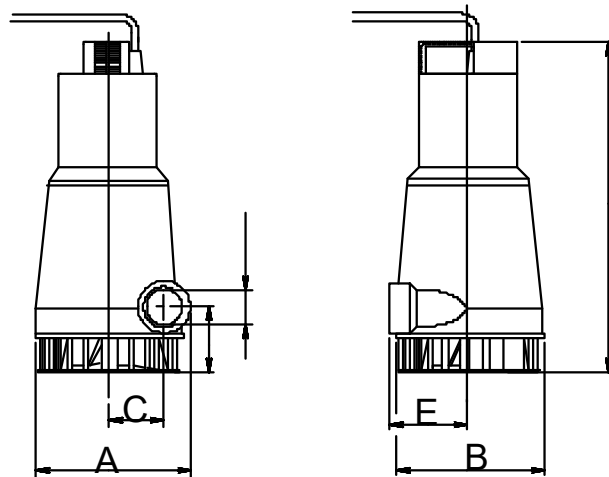
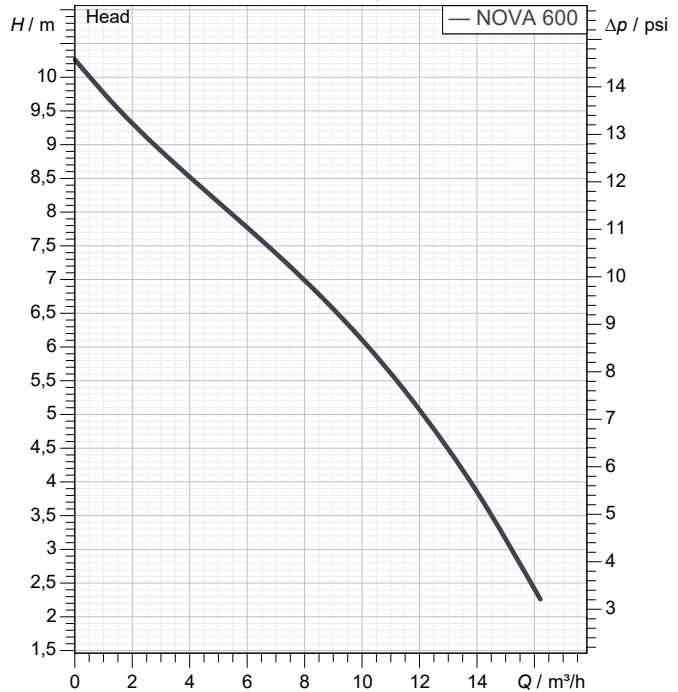
Hydraulic data (duty point)

Flow :
Head :

Materials

Pump body : Technopolymer
Impeller : Technopolymer
O-Ring : NBR Rubber
Motor top body : AISI 304 X5 Cr Ni 1810 UNI 6900/71
Rotor shaft : AISI 431
Seeger ring : 12E - UNI 7435 STAINLESS
Suction strainer : Technopolymer

Curve tolerance according to ISO 9906



Motor data

Motor brand : DAB
Nominal power P2 : 0,55 kW
Rated speed : 2.850 1/min
Rated voltage : 1~ 220-240 V 50 Hz
Nominal current : 3,4 A
Degree of protection : IP 68

Weight : 6,7 kg

Dimensions in mm

A	162				
B	165				
C	56				
DNM	1" 1/4 G				
E	90				
H	334				
H2	70,5				

Pump connection

Suction side : /
Discharge side : 1" 1/4 G / --



WATER • TECHNOLOGY

PERFORMANCE CURVES

2023-07-14

Page 2 / 3

DAB PUMPS S.p.A.
Via Marco Polo, 14 - 35035 Mestrino (PD), Italy
Tel. +39 049 5125000 - Fax +39 049 5125950
www.dabpumps.com

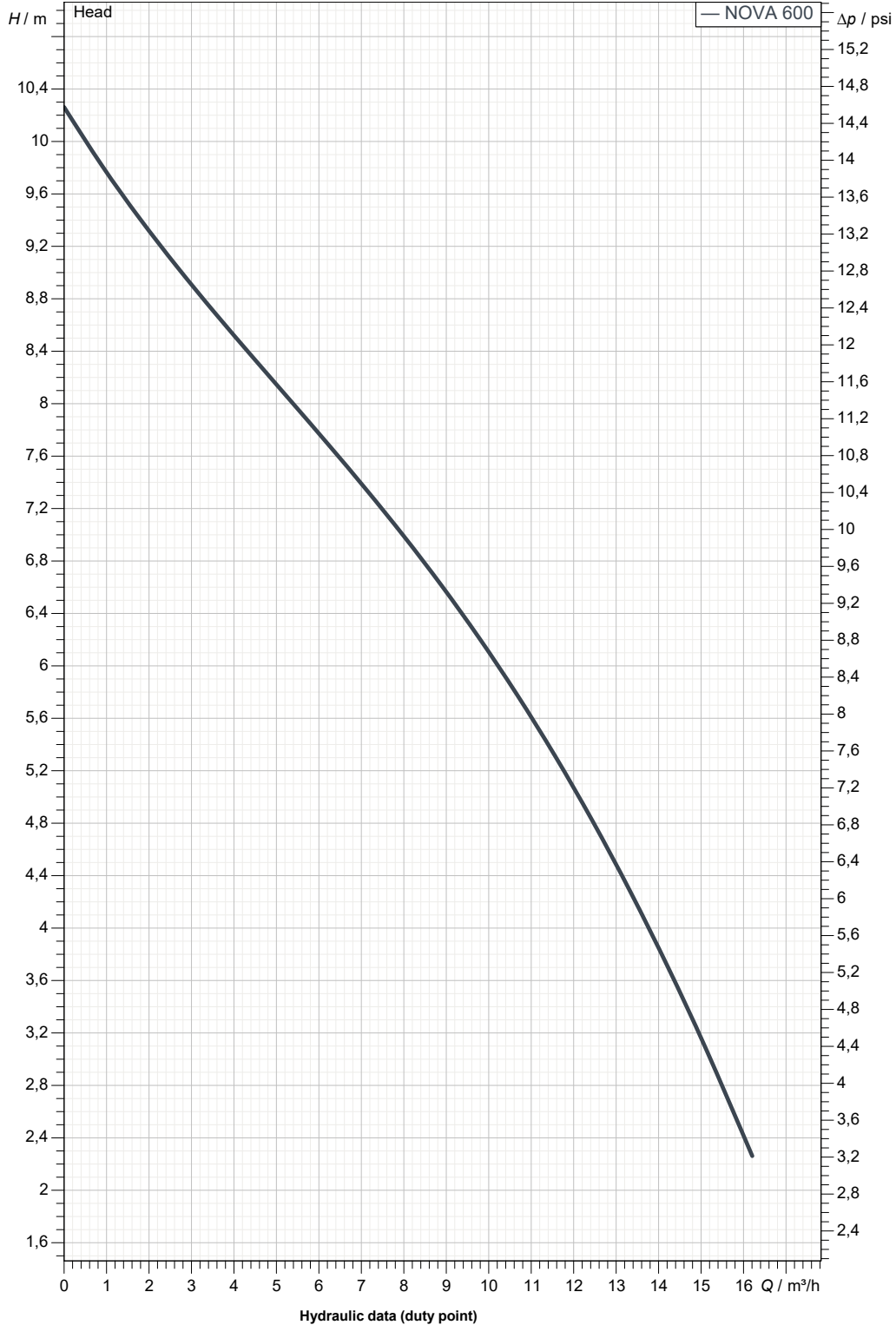
Receiver

From

Company
Reference
Address
Phone
Fax
E-mail

NOVA 600 M-NA SV

Curve tolerance according to ISO 9906



Suction side :

0 psi

Discharge side :

1" 1/4 G
0 psi

Flow :

Head :

Rated speed :

2.850 1/min

MAIN_PROJECT_TITLE

BUSINESS_PROCESS_ID

OWNER_

ISSUE_DATE

2023-07-14



DIMENSIONAL DRAWING

2023-07-14

Page 3 / 3

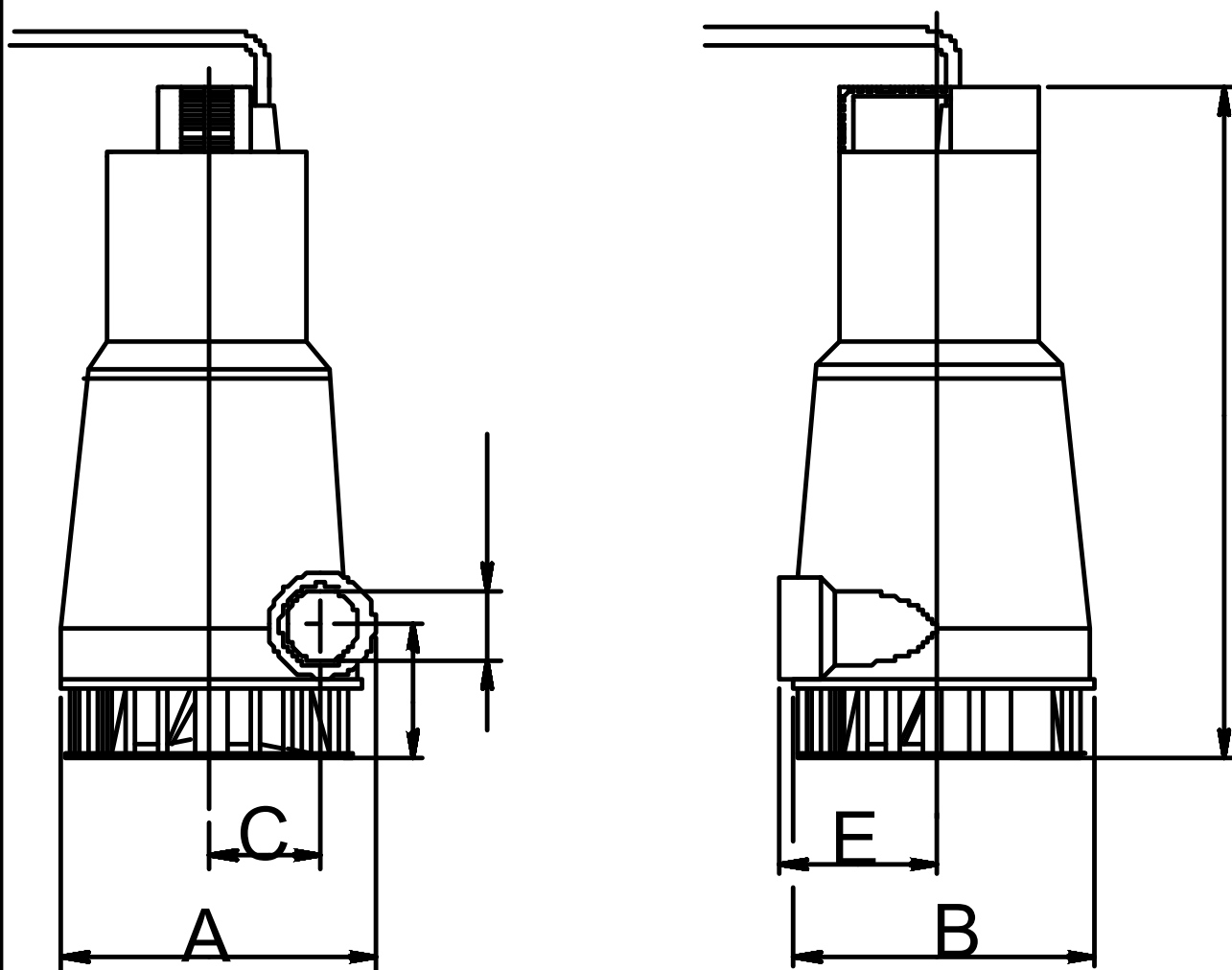
DAB PUMPS S.p.A.
Via Marco Polo, 14 - 35035 Mestrino (PD), Italy
Tel. +39 049 5125000 - Fax +39 049 5125950
www.dabpumps.com

Receiver

From

Company
Reference
Address
Phone
Fax
E-mail

NOVA 600 M-NA SV



Dimensions in mm

Pump connection

1	A	162						
2	B	165						Suction
3	C	56						
4	DNM	1" 1/4 G						0 psi
5	E	90						
6	H	334						Discharge
7	H2	70,5						1" 1/4 G
8								0 psi
9								
10								
11								

MAIN_PROJECT_TITLE

BUSINESS_PROCESS_ID

OWNER

ISSUE_DATE

2023-07-14