

Destinatar

Firma
Referinta
Adresa
Phone
Fax
E-mail

Expeditor

Cod articol :

60171423

Articol:

FKV 65 40.2 T5 400D

Date pompa

Type of impeller : §Vortex
Pump outlet : DN 65
Pump inlet : DN 65
Flange standard : EN 1092-1 / PN 16
Free passage : 65 mm
Temperatura fluid: 0 °C / 40 °C *
* For higher temperatures please contact our sales network
pH : 6,5 - 12
Vascozitate cinematica: 1 mm²/s
Max Flow : 70.2 m³/h
Max. Head : 26.6 m
Max. Hydraulic efficiency : 37 %

Approvals

Approvals : 12050-1
ATEX : NO

INSTALLATION

Temperatura max. ambianta : 40 °C
Max. installation depth : 20 m
Tip de instalatie:
Wet - Pump only.

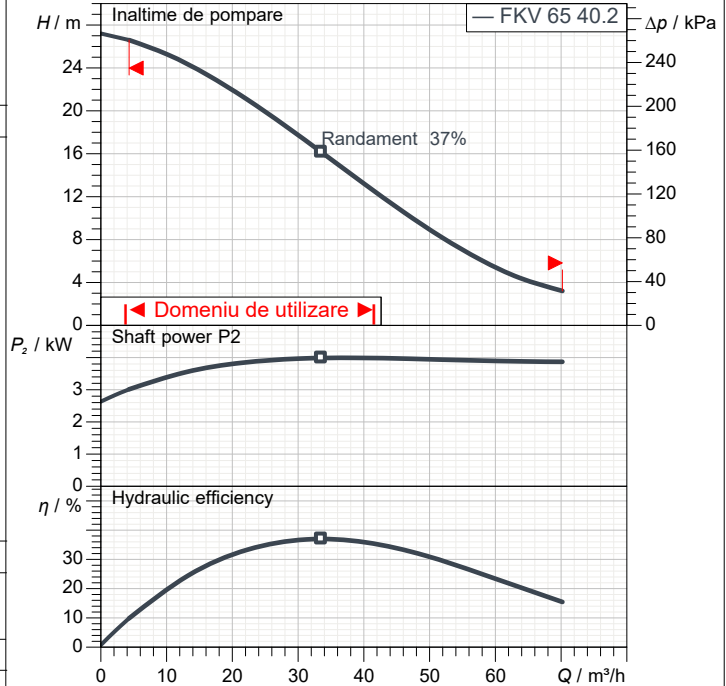
Materiale

Maner : AISI 304
Electric cable : 07RN8-F
Screws : AISI 304
OR : NBR
Etansare mec. completa pe partea pompei : SIC/SIC
Etansare mec. completa pe partea motorului : SIC/Carbon
Inel de etansare : HNBR
Arbore motor : AISI 420
Pump body / motor : Fonta EN GJL 200
Rotor : Cast iron (EN GJL 250)
Coating : Acrylic Two-component 50µm

Date motor

Number of poles : 2
Max. Input power P1 : 4.49 kW
Putere nominala P2 : 4 kW
Tensiune nominala : 3~ 400 V (+6% / -10%) 50 Hz
Curent nominal : 7.5 A
Curent de deccansare : 27 A / —
Starting : §§Direct starting
Viteza nominala: 2900 1/min
Efficiency : 89.1 %
Number of starts : 20 /h
Grad de protectie: IP 68
Insulation class : F 150 °C
Standard cable type : 10mt 4G1.5+3x1
Water-in-oil sensor : NO
Motor protection : Thermal switch

Curve tolerance according to ISO 9906



Fluid data

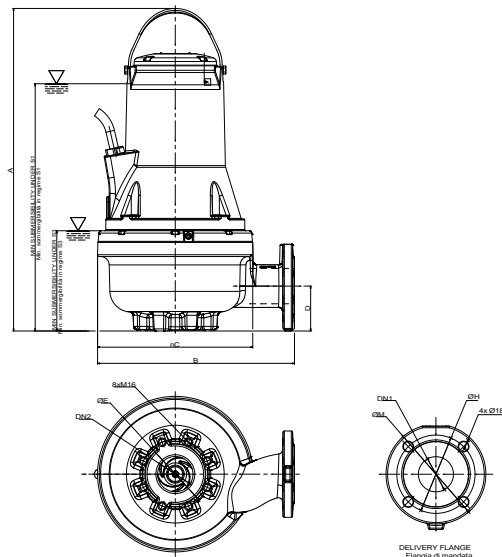
Fluid pompat : Apă
Temperatura fluid: 20 °C
Densitate : 998.3 kg/m³
Vascozitate cinematica: 1.005 mm²/s

Date de functionare cerute

Debit :
Inaltime de pompare :

Real duty point

Debit :
Inaltime de pompare :



Pump weight : 131 kg

Accessory weight :

Dimensiuni de gabarit

mm

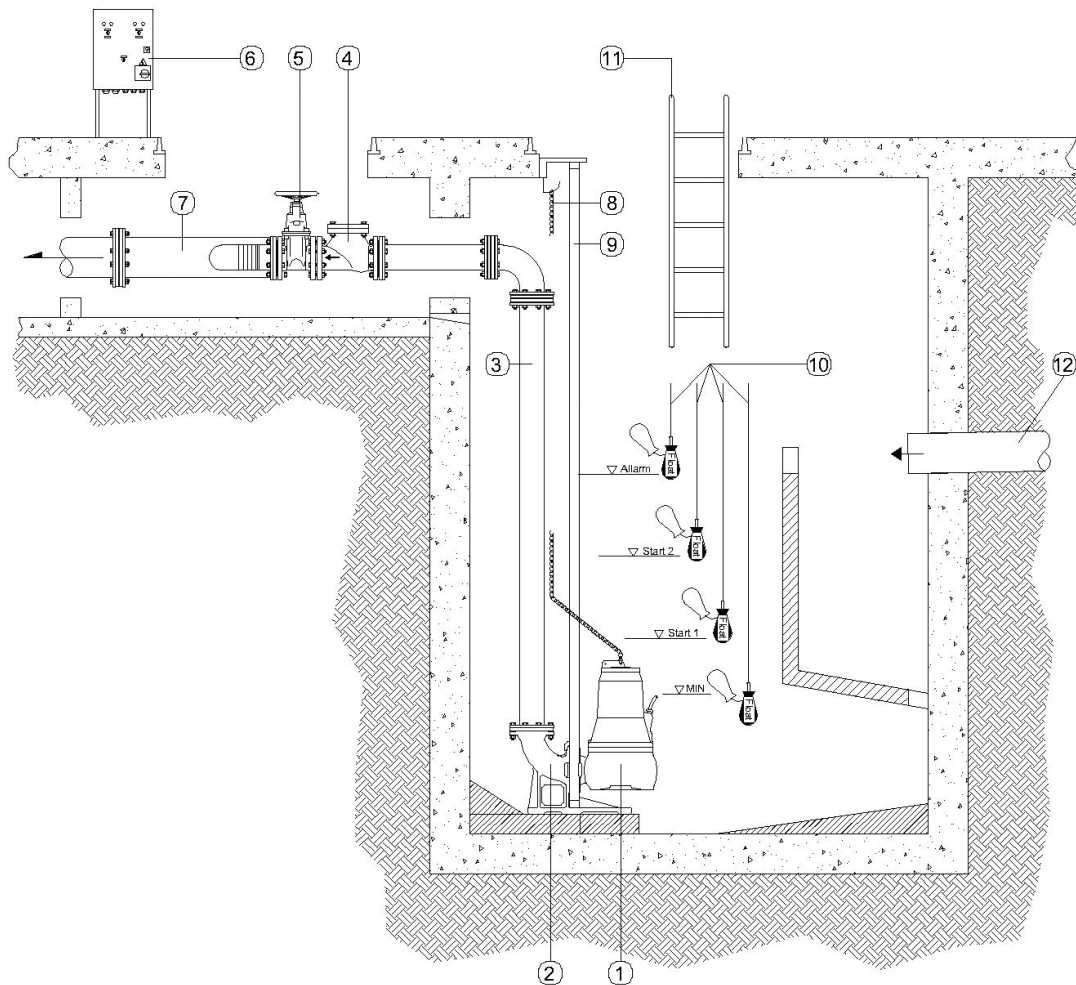
A	720	ØM	185		
B	456	S1	585		
D	106	S3	245		
DN1	65				
DN2	65				
ØC	360				
ØE	160				
ØH	145				

Destinatar

Expeditor

Firma
Referinta
Adresa
Phone
Fax
E-mail

Installation example



- 1: SUBMERSIBLE PUMPS
- 2: BASE ELBOW
- 3: DISCHARGE PIPE
- 4: BALL CHECK VALVE
- 5: GATE VALVE
- 6: CONTROL PANEL
- 7: MANIFOLD
- 8: LIFTING CHAIN
- 9: DROP PIPE
- 10: LEVEL SWITCHES
- 11: SUMP INSPECTION LADDER
- 12: INTAKE PIPE

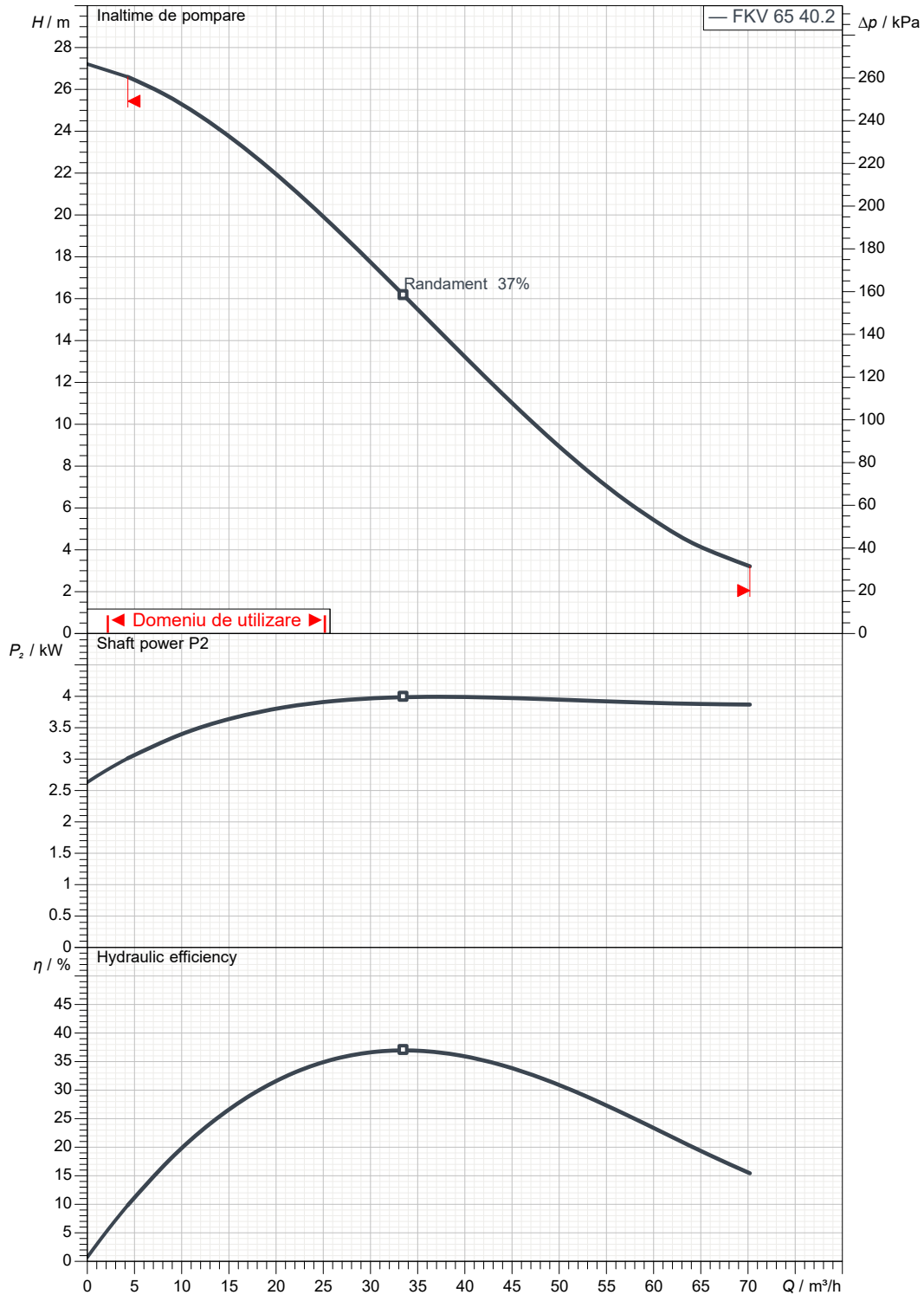
Destinatari

Expeditor

 Firma
 Referinta
 Adresa
 Phone
 Fax
 E-mail

FKV 65 40.2 T5 400D

Curve tolerance according to ISO 9906


 Partea cu aspiratia:
 DN 65
 PN 16

 Partea cu refularea:
 DN 65
 PN 16

Debit :

Înaltime de pompare :

 Viteza nominala:
 2900 1/min

MAIN_PROJECT_TITLE

BUSINESS_PROCESS_ID

OWNER_

ISSUE_DATE



DESEN DIMENSIONAL

01/20/202

Pagina 4 / 4

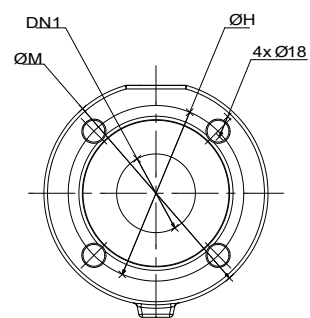
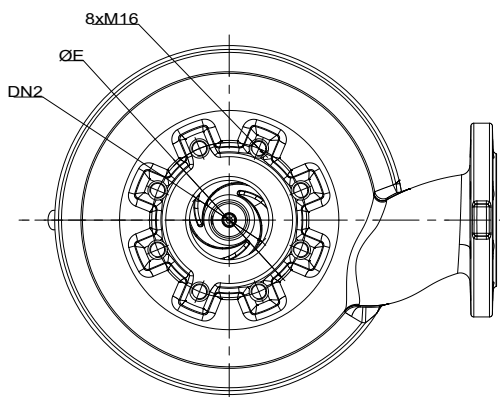
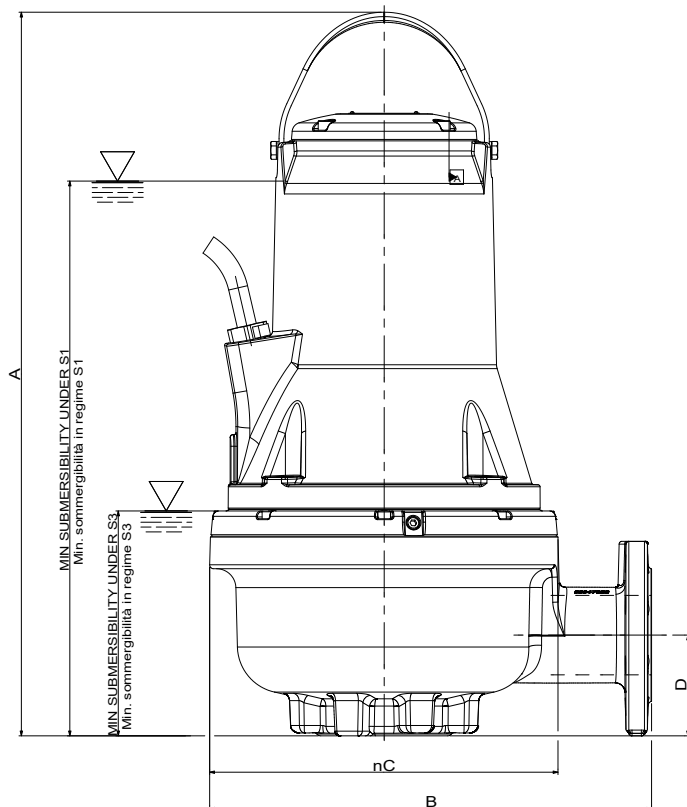
DAB PUMPS S.p.A.
Via Marco Polo, 14 - 35035 Mestrino (PD), Italy
Tel. +39 049 5125000 - Fax +39 049 5125950
www.dabpumps.com

Destinatar

Expeditor

Firma
Referinta
Adresa
Phone
Fax
E-mail

FKV 65 40.2 T5 400D



DELIVERY FLANGE
Flangia di mandata

Dimensiuni in mm

1	A	720
2	B	456
3	D	106
4	DN1	65
5	DN2	65
6	ØC	360
7	ØE	160
8	ØH	145
9	ØM	185
10	S1	585
11	S3	245
12		

Racorduri pompa:

Aspiratie
DN 65
PN 16

Refulare
DN 65
PN 16

MAIN_PROJECT_TITLE

BUSINESS_PROCESS_ID

OWNER

ISSUE_DATE