

Destinatar

Firma
Referinta
Adresa
Phone
Fax
E-mail

Expeditor

Cod articol :

60176857

Articol:

FKC 65 30.2 T5 400D

Date pompa

Type of impeller : §§Single vane impeller
Pump outlet : DN 65
Pump inlet : DN 65
Flange standard : EN 1092-1 / PN 16
Free passage : 65 mm
Temperatura fluid: 0 °C / 40 °C *
* For higher temperatures please contact our sales network
pH : 6,5 - 12
Vascozitate cinematica: 1 mm²/s
Max Flow : 94 m³/h
Max. Head : 23.48 m
Max. Hydraulic efficiency : 62.9 %

Approvals

Approvals : 12050-1
ATEX : NO

INSTALLATION

Temperatura max. ambienta : 40 °C
Max. installation depth : 20 m
Tip de instalatie:
Wet - Pump only

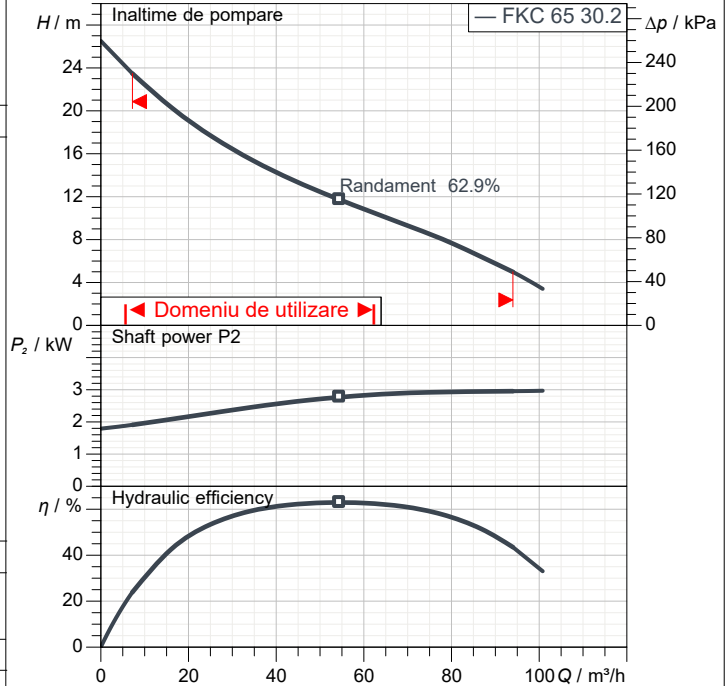
Materiale

Maner : AISI 304
Electric cable : 07RN8-F
Screws : AISI 304
OR : NBR
Etansare mec. completa pe partea pompei : SIC/SIC
Etansare mec. completa pe partea motorului : SIC/Carbon
Arbore motor : AISI 420
Pump body / motor : Fonta EN GJL 200
Rotor : Cast iron (EN GJL 250)
Wear ring : Cast iron (EN GJL 150)
Coating : Acrylic Two-component 50µm

Date motor

Number of poles : 2
Max. Input power P1 : 3.42 kW
Putere nominala P2 : 3 kW
Tensiune nominala : 3~ 400 V (+6% / -10%) 50 Hz
Curent nominal : 5.8 A
Curent de declansare : 19.1 A / —
Starting : §§Direct starting
Viteza nominala: 2900 1/min
Efficiency : 87.8 %
Number of starts : 20 /h
Grad de protectie: IP 68
Insulation class : F 150 °C
Standard cable type : 10mt 4G1.5+3x1
Water-in-oil sensor : NO
Motor protection : Thermal switch

Curve tolerance according to ISO 9906



Fluid data

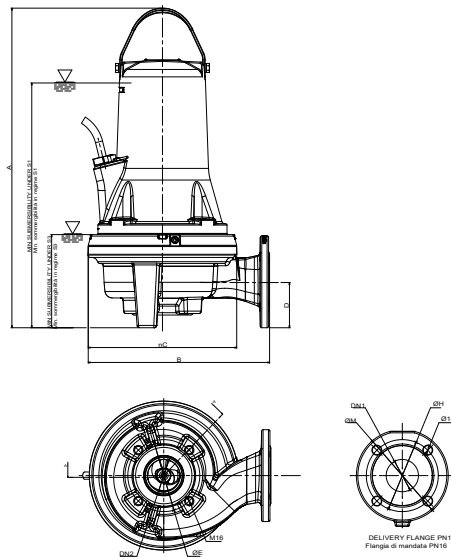
Fluid pompat : Apă
Densitate : 998.3 kg/m³
Temperatura fluid: 20 °C
Vascozitate cinematica: 1.005 mm²/s

Date de functionare cerute

Debit :
Inaltime de pompare :

Real duty point

Debit :
Inaltime de pompare :



Pump weight : 93 kg

Accessory weight :

Dimensiuni de gabarit

mm

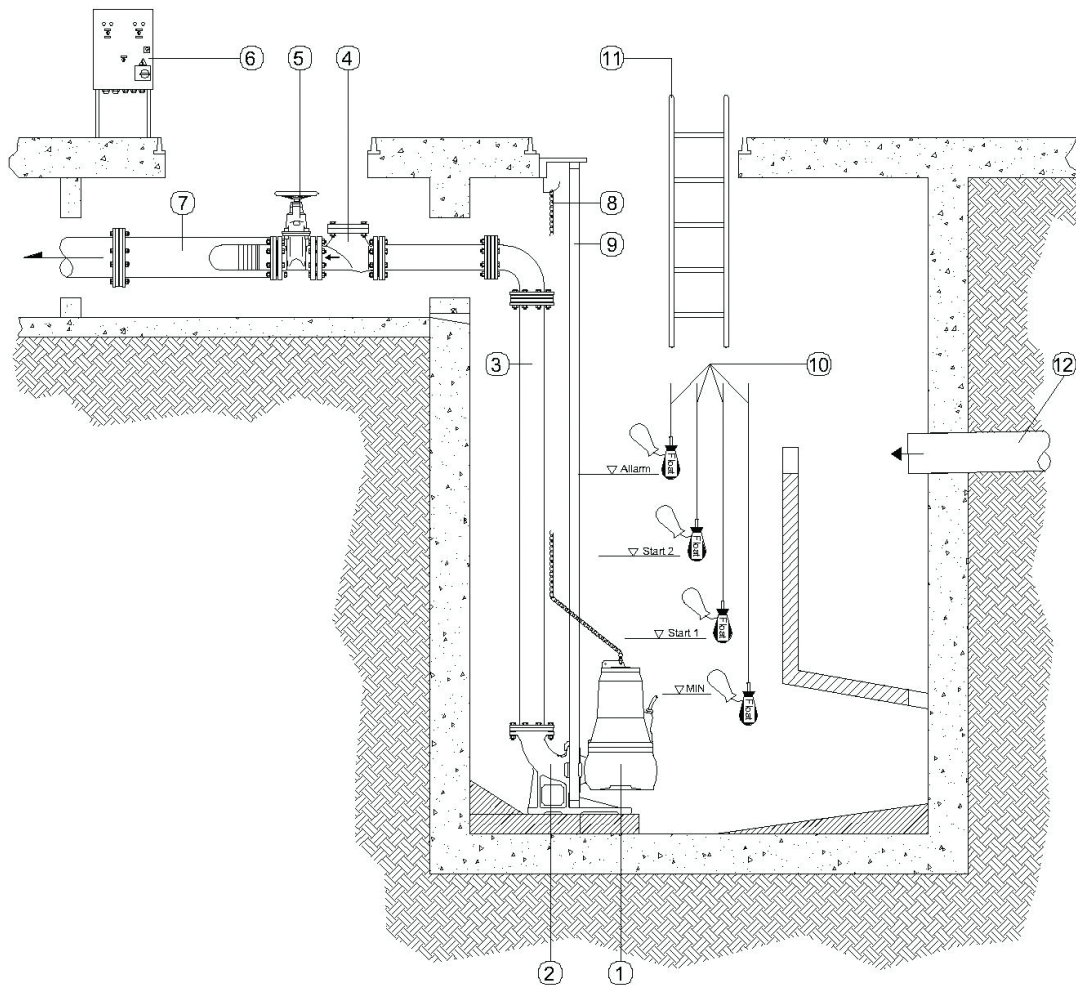
A	645	ØH	145
B	365	ØM	185
D	91	S1	494
DN1	65	S3	188
DN2	65		
Ø18	4xØ18		
ØC	300		
ØE	145		

Destinatar

Expeditor

Firma
Referinta
Adresa
Phone
Fax
E-mail

Installation example



- 1: SUBMERSIBLE PUMPS
- 2: BASE ELBOW
- 3: DISCHARGE PIPE
- 4: BALL CHECK VALVE
- 5: GATE VALVE
- 6: CONTROL PANEL
- 7: MANIFOLD
- 8: LIFTING CHAIN
- 9: DROP PIPE
- 10: LEVEL SWITCHES
- 11: SUMP INSPECTION LADDER
- 12: INTAKE PIPE



CURBELOR CARACTERISTICE

07/06/202

Pagina 3 / 4

DAB PUMPS S.p.A.
Via Marco Polo, 14 - 35035 Mestrino (PD), Italy
Tel. +39 049 5125000 - Fax +39 049 5125950
www.dabpumps.com

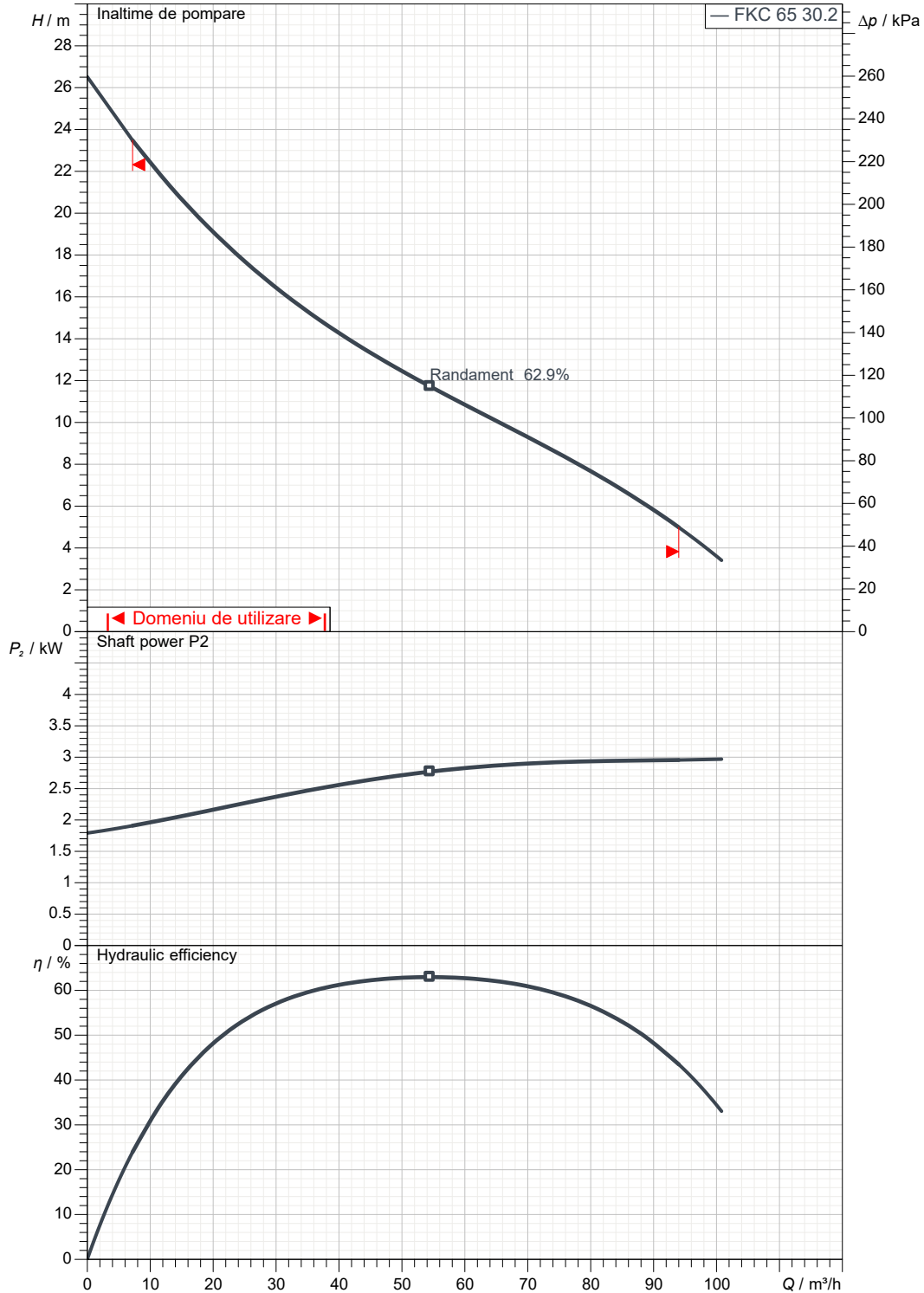
Destinatar

Expedito

Firma
Referinta
Adresa
Phone
Fax
E-mail

FKC 65 30.2 T5 400D

Curve tolerance according to ISO 9906



Date disponibile:

Partea cu aspiratia:
DN 65
PN 16

Partea cu refularea:
DN 65
PN 16

Debit :

Înaltime de pompare :

Viteza nominala:
2900 1/min

MAIN_PROJECT_TITLE

BUSINESS_PROCESS_ID

OWNER_

ISSUE_DATE



DESEN DIMENSIONAL

07/06/202

Pagina 4 / 4

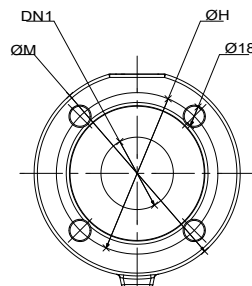
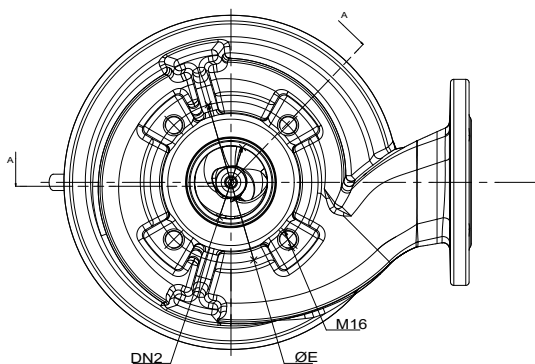
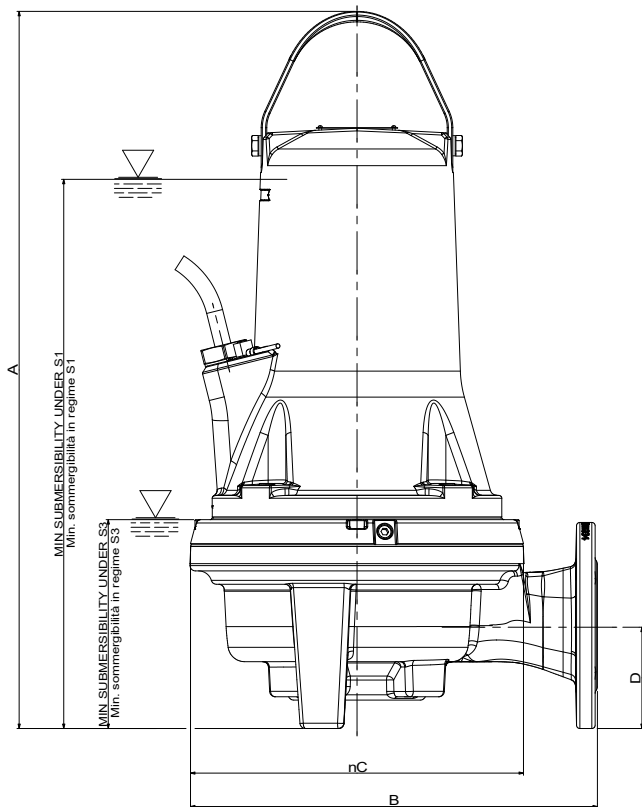
DAB PUMPS S.p.A.
Via Marco Polo, 14 - 35035 Mestrino (PD), Italy
Tel. +39 049 5125000 - Fax +39 049 5125950
www.dabpumps.com

Destinatar

Expeditor

Firma
Referinta
Adresa
Phone
Fax
E-mail

FKC 65 30.2 T5 400D



DELIVERY FLANGE PN16
Flangia di mandata PN16

Dimensiuni in mm

1	A	645
2	B	365
3	D	91
4	DN1	65
5	DN2	65
6	Ø18	4xØ18
7	ØC	300
8	ØE	145
9	ØH	145
10	ØM	185
11	S1	494
12	S3	188

Racorduri pompa:

Aspiratie
DN 65
PN 16

Refulare
DN 65
PN 16

MAIN_PROJECT_TITLE

BUSINESS_PROCESS_ID

OWNER

ISSUE_DATE