

Destinatar

Firma
Referinta
Adresa
Phone
Fax
E-mail

Expeditor

Cod articol :

60176854

Articol:

FKC 80 55.4 T5 400Y/D

Date pompa

Type of impeller : §§Single vane impeller
Pump outlet : DN 80
Pump inlet : DN 100
Flange standard : EN 1092-1 / PN 16
Free passage : 80 mm
Temperatura fluid: 0 °C / 40 °C *
* For higher temperatures please contact our sales network
pH 6,5 - 12
Vascozitate cinematica: 1 mm²/s
Max Flow : 144 m³/h
Max. Head : 19.42 m
Max. Hydraulic efficiency : 67.8 %

Approvals

Approvals : 12050-1
ATEX : NO

INSTALLATION

Temperatura max. ambianta 40 °C
Max. installation depth : 20 m
Tip de instalatie:
Wet - Pump only..

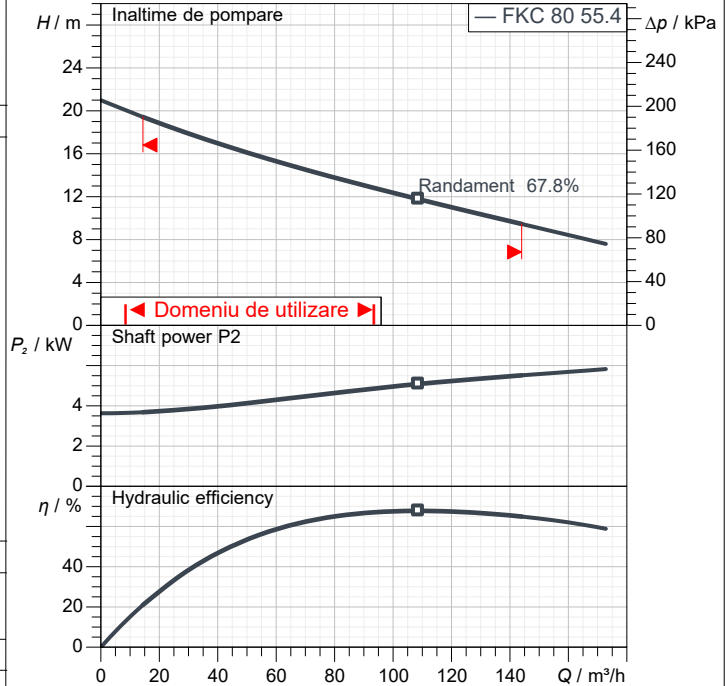
Materiale

Maner AISI 304
Electric cable 07RN8-F
Screws AISI 304
OR NBR
Etansare mec. completa pe partea pompei C/SIC
Etansare mec. completa pe partea motorului C/Carbon
Inel de etansare HNBR
Arbore motor AISI 420
Pump body / motor Fonta EN GJL 200
Rotor Cast iron (EN GJL 250)
Wear ring Cast iron (EN GJL 150)
Coating Acrylic Two-component 50µm

Date motor

Number of poles : 4
Max. Input power P1 : 6.12 kW
Putere nominala P2: 5.5 kW
Tensiune nominala : 3~ 400 V (+6% / -10%) 50 Hz
Curent nominal : 8.6 A
Curent de declansare 50.3 A / —
Starting : Star-delta
Viteza nominala: 1450 1/min
Efficiency : 89.8 %
Number of starts : 20 /h
Grad de protecție: IP 68
Insulation class : F 150 °C
Standard cable type : 10mt 7G2.5+3x1
Water-in-oil sensor : NO
Motor protection : Thermal switch

Curve tolerance according to ISO 9906



Fluid data

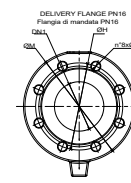
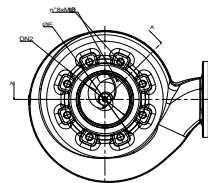
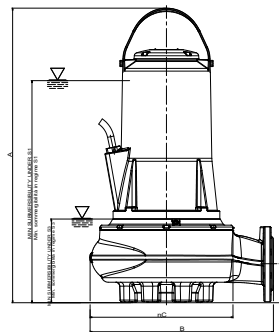
Fluid pompat : Apă Temperatura fluid: 20 °C
Densitate 998.3 kg/m³ Vascozitate cinematica: 1.005 mm²/s

Date de functionare cerute

Debit :
Înălțime de pompare :

Real duty point

Debit :
Înălțime de pompare :



Pump weight : 223 kg

Accessory weight :

Dimensiuni de gabarit

mm

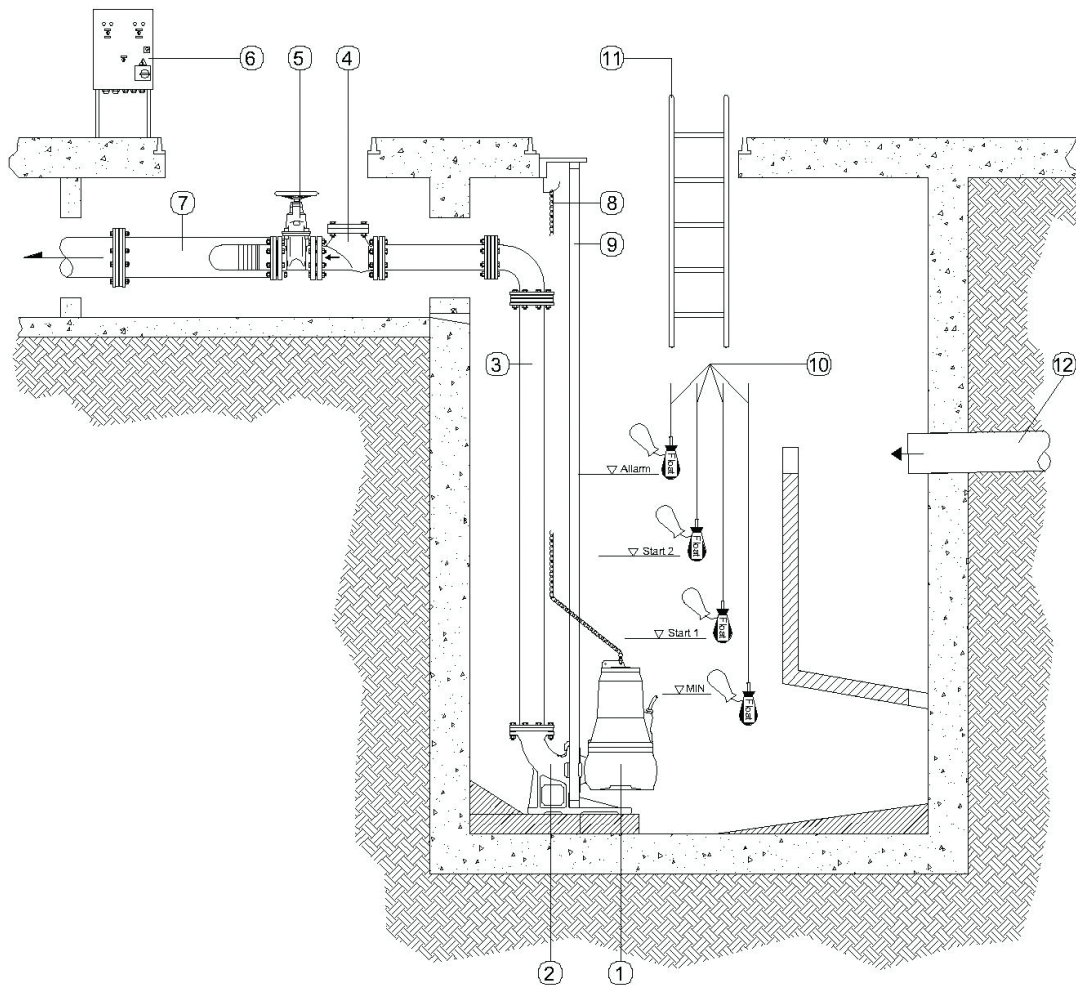
A	860	ØH	160
B	530	ØM	200
D	118	ØY	18
DN1	80	S1	650
DN2	100	S3	240
MØ	M16		
ØC	407		
ØE	180		

Destinatar

Expeditor

Firma
Referinta
Adresa
Phone
Fax
E-mail

Installation example



- 1: SUBMERSIBLE PUMPS
- 2: BASE ELBOW
- 3: DISCHARGE PIPE
- 4: BALL CHECK VALVE
- 5: GATE VALVE
- 6: CONTROL PANEL
- 7: MANIFOLD
- 8: LIFTING CHAIN
- 9: DROP PIPE
- 10: LEVEL SWITCHES
- 11: SUMP INSPECTION LADDER
- 12: INTAKE PIPE

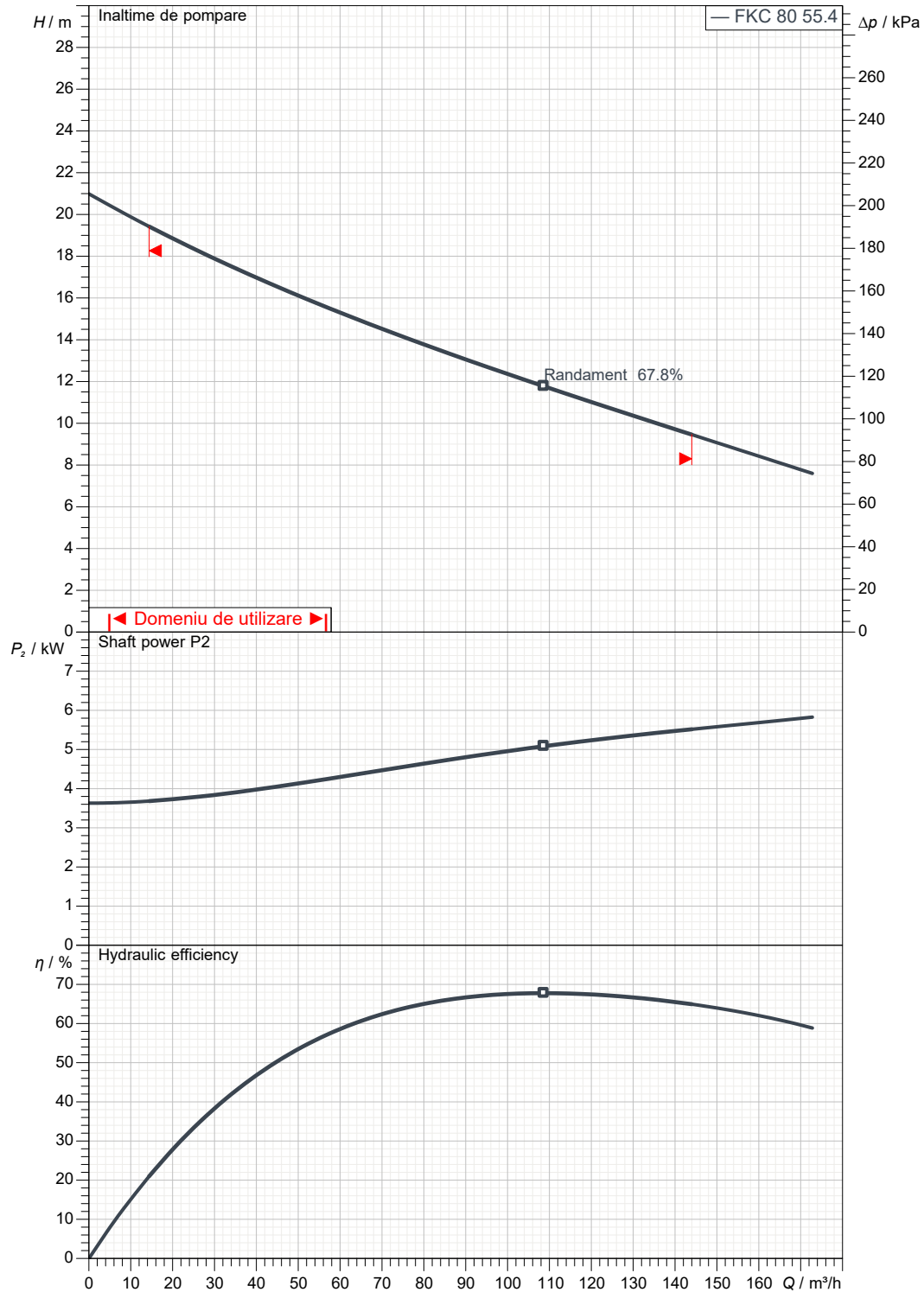
Destinatar

Expeditor

 Firma
 Referinta
 Adresa
 Phone
 Fax
 E-mail

FKC 80 55.4 T5 400Y/D

Curve tolerance according to ISO 9906



Date disponibile:

 Partea cu aspiratia:
 DN 100
 PN 16

 Partea cu refularea:
 DN 80
 PN 16

Debit :

Înaltime de pompare :

 Viteza nominala:
 1450 1/min

MAIN_PROJECT_TITLE

BUSINESS_PROCESS_IC

OWNER_

ISSUE_DATE



DESEN DIMENSIONAL

07/07/202

Pagina 4 / 4

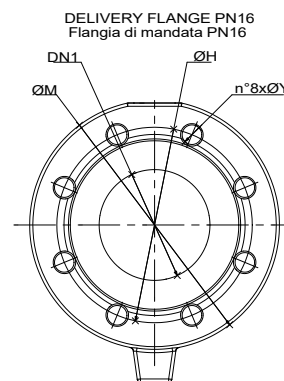
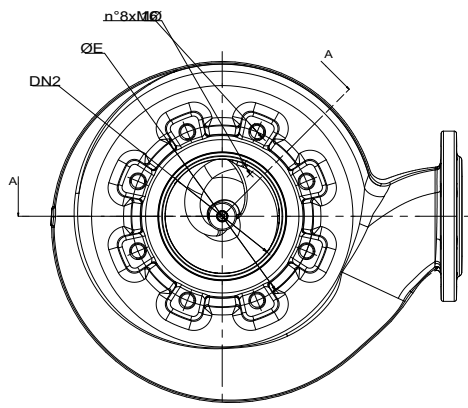
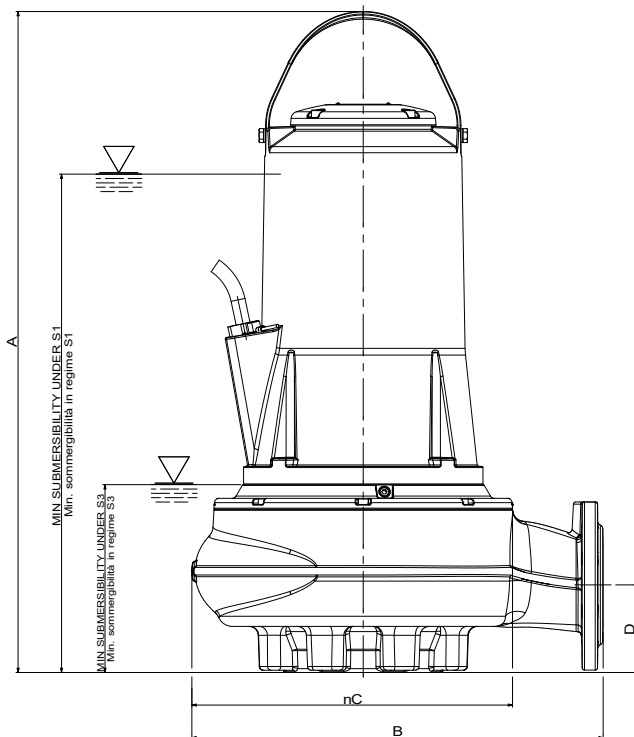
DAB PUMPS S.p.A.
Via Marco Polo, 14 - 35035 Mestrino (PD), Italy
Tel. +39 049 5125000 - Fax +39 049 5125950
www.dabpumps.com

Destinatar

Expeditor

Firma
Referinta
Adresa
Phone
Fax
E-mail

FKC 80 55.4 T5 400Y/D



Dimensiuni in mm

1	A	860	S3	240
2	B	530		
3	D	118		
4	DN1	80		
5	DN2	100		
6	MØ	M16		
7	ØC	407		
8	ØE	180		
9	ØH	160		
10	ØM	200		
11	ØY	18		
12	S1	650		

Racorduri pompa:

Aspiratie
DN 100
PN 16

Refulare
DN 80
PN 16

MAIN_PROJECT_TITLE

BUSINESS_PROCESS_II

OWNER_

ISSUE_DATE