

New and improved!



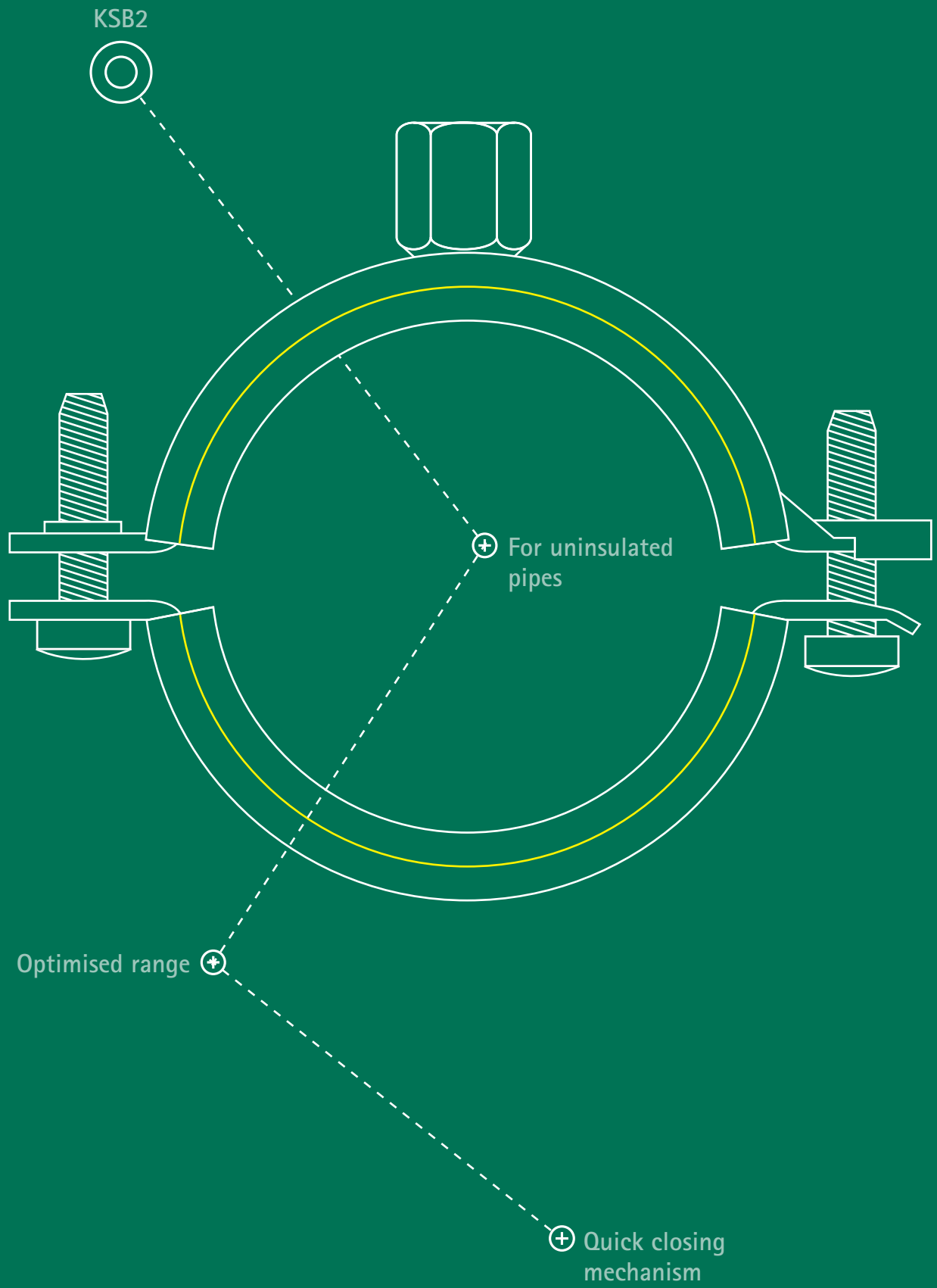
KSB2 clamp

Quick and flexible mid-range pipe clamp





Small
CHANGES CAN MAKE
A BIG
DIFFERENCE.



KSB2 clamp

For uninsulated pipes

Product information

The KSB2 clamp offers a comfortable solution for fixing steel, copper and multilayer pipes, Ø 10 - 225 mm. The improved quick closing mechanism is simply closed with one hand, which makes it easier and faster during installation. The optimised range with EPDM lining, is designed to hold medium loads in accordance to RAL GZ-655 and offers noise reduction (DIN 4109).



Features and benefits

- Two-screw clamp
- For uninsulated pipes
- Optimised range Ø 10 - 225 mm
- Material: Steel
- Surface treatment: Zinc plated
- Lining: EPDM
- Quick closing mechanism
- Good strength vs material usage
- Medium safe load according RAL GZ-655
- Noise reduction according DIN 4109

Type of pipe

- Steel
- Copper
- Plastic (multilayer)

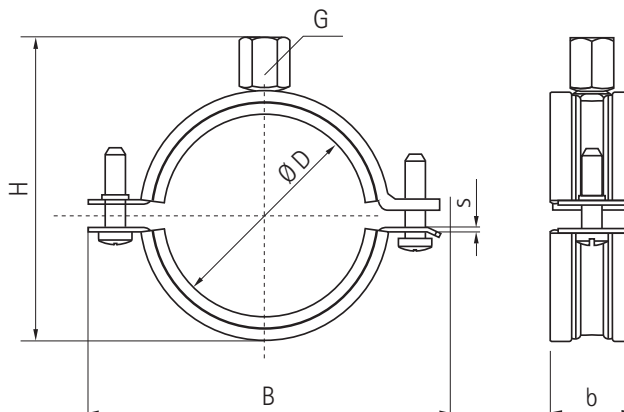
Quick closing mechanism



*For faster and easier
installation*

KSB2 clamp

For uninsulated pipes



Technical data

Art. nr.	D (mm)	D (")	DN	G	B (mm)	H (mm)	b x s (mm)	Fa,z (N)	Box qty (pcs)
3396014	10 - 14	1/4	8	M8/10	59	29	20 x 1.25	400	100
3396019	15 - 19	3/8	10	M8/10	63	31	20 x 1.25	400	100
3396023	20 - 23	1/2	15	M8/10	68	33	20 x 1.25	400	100
3396028	25 - 28	3/4	20	M8/10	74	36	20 x 1.25	400	100
3396035	31 - 35	1	25	M8/10	80	39	20 x 1.25	400	100
3396039	36 - 39	-	-	M8/10	84	41	20 x 1.25	400	100
3396045	40 - 45	1 1/4	32	M8/10	91	45	20 x 1.25	400	100
3396052	48 - 52	1 1/2	40	M8/10	97	48	20 x 1.25	400	50
3396058	54 - 58	-	-	M8/10	104	51	20 x 1.25	400	50
3396064	60 - 64	2	50	M8/10	109	54	20 x 1.25	400	50
3396070	66 - 70	-	-	M8/10	118	58	20 x 1.50	400	50
3396079	75 - 79	2 1/2	65	M8/10	125	62	20 x 1.50	715	50
3396083	80 - 83	-	-	M8/10	131	65	20 x 1.50	715	50
3396091	88 - 91	3	80	M8/10	142	70	23 x 2.00	715	50
3396105	100 - 105	-	0	M8/10	155	77	23 x 2.00	1,230	50
3396115	108 - 115	4	100	M8/10	163	81	23 x 2.00	1,230	25
3396130	125 - 130	-	-	M8/10	180	89	23 x 2.00	1,230	25
3396140	133 - 140	5	125	M8/10	189	94	23 x 2.00	1,230	25
3396160	152 - 160	-	-	M8/10	208	102	23 x 2.00	1,230	25
3396169	165 - 169	6	150	M8/10	225	111	25 x 2.50	2,390	20
3396180	176 - 180	-	-	M8/10	238	117	25 x 2.50	2,390	15
3396200	192 - 200	-	-	M8/10	257	127	25 x 2.50	2,390	15
3396210	205 - 210	-	-	M8/10	269	133	25 x 2.50	2,390	10
3396225	219 - 225	8	200	M8/10	283	140	25 x 2.50	2,390	10

Find out how we can support you

Would you like to find out more about any of the solutions described in this brochure?
Or would you like to discuss how we could help you find the best possible solution for your project? Get in touch today!

United Kingdom Ireland

Walraven Ltd.

Thorpe Way, Banbury (GB)
Oxon, OX16 4UU
Tel. +44 (0)1295 75 34 00
Fax +44 (0)1295 75 34 28
sales.uk@walraven.com

Other countries

Walraven International

P.O. Box 15
3640 AA Mijdrecht (NL)
Tel. +31 (0)297 23 30 00
Fax +31 (0)297 23 30 99
export@walraven.com

Walraven Group

Mijdrecht (NL) · Tienen (BE) · Bayreuth (DE) · Banbury (GB) · Malmö (SE) · Grenoble (FR) · Barcelona (ES) · Kraków (PL)
Mladá Boleslav (CZ) · Moscow (RU) · Kyiv (UA) · Detroit (US) · Shanghai (CN) · Dubai (AE) · Budapest (HU)

NL



GB

