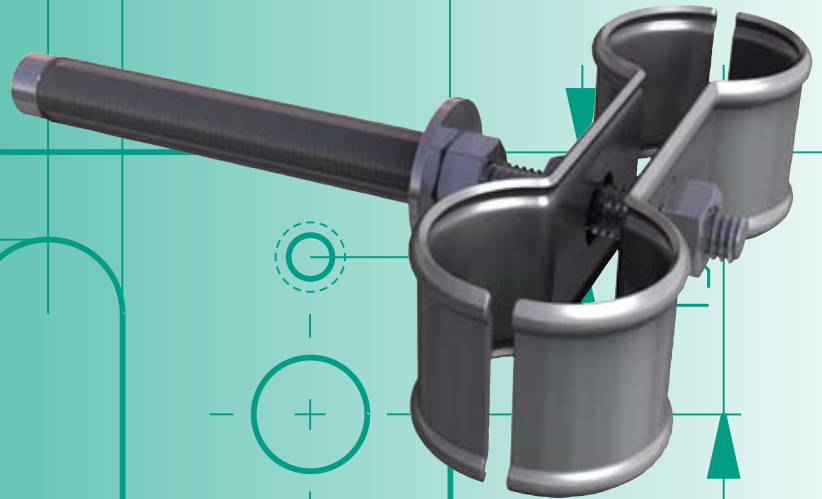


46

# CENTRAL HEATING FIXING ACCESSORIES

EN



PUCIHar

22

11

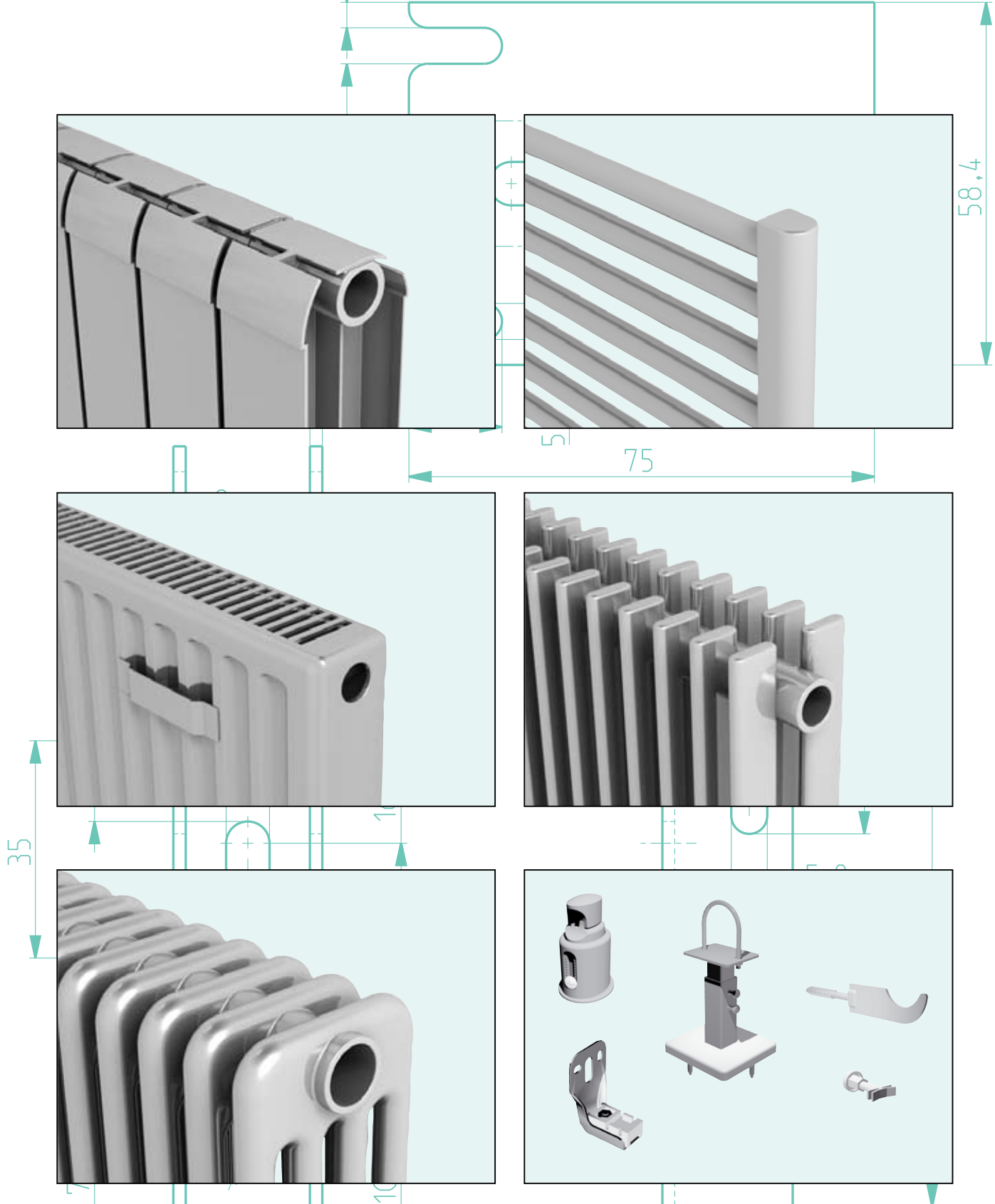
10

R2,5

46



# WE MAKE INSTALLATION EASIER



# WE SATISFY EVERYONE



Company PUCIHAR is specialized in manufacturing radiator brackets, pipe clamps and other central heating fixing accessories. We produce a vast range of other products from sheet metal and plastic.

The market dictates constant development of new and technologically sophisticated products. Cooperating with designers, toolmakers and technologists we can quickly transform ideas and customer needs into production of products. Adaptability and experience make us successful in domestic and foreign markets and enable us long-term cooperation with our business partners.

We constantly invest in new machinery, tools and new production technologies to satisfy even the most demanding customers. Our goal is to deliver high quality products within the agreed time.

Our company distinguishes itself with a wide range of radiator fixing accessories, pipes and other products for the radiator heating industry. We cooperate with radiator manufacturers and central heating installers to find new solutions for faster and easier installation of radiators. Many years of experience and the latest technology in the transformation of sheet metal and plastic injection assure the highest quality of our products. We know that customer satisfaction can only be achieved with high quality of service, fixed delivery times and competitive prices.

Our constant investment in new production processes and new manufacturing facilities provides a safe and ecologically friendly working environment for our employees. Recycling, minimization of energy usage and a general respect for the environment are our top priorities.

On our web site you can view the catalogues in several languages: SLOVENIAN, CROATIAN, ITALIAN, GERMAN, ENGLISH, POLISH and HUNGARIAN.

**PUCIHAR-P d.o.o.**

Veliki Vrh 7

1293 Šmarje Sap

SLOVENIJA

Tel.: +386 (0)1 780 41 83

Fax: +386 (0)1 780 41 84

E-mail: [pucihar@siol.net](mailto:pucihar@siol.net)

<http://www.pucihar.com>



**A - BRACKETS FOR PANEL RADIATORS**

**001 - Bracket C-uni**  
Page 8



**002 - Bracket C**  
Page 9



**003 - Bracket H**  
Page 10



**004 - Bracket HK1**  
Page 11



**005 - Bracket HK2**  
Page 12



**006 - Bracket HK3**  
Page 13



**007 - Bracket HK4**  
Page 14



**008 - Bracket HK5**  
Page 15



**009 - Bracket CA**  
Page 16



**010 - Bracket CAK**  
Page 17



**011 - Bracket CAK-uni**  
Page 18



**012 - Bracket BHC**  
Page 19



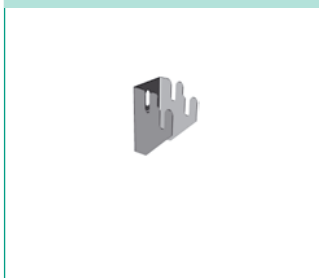
**013 - Bracket BUD**  
Page 20



**014 - Bracket VH**  
Page 21



**016 - Bracket U**  
Page 22



**017 - Bracket K**  
Page 22



**018 - Bracket F**  
Page 23



**019 - Bracket FC**  
Page 24



**020 - Bracket D**  
Page 25



**021 - Bracket A1**  
Page 26



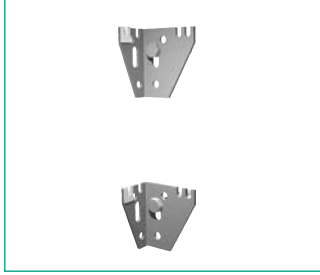


**A - BRACKETS FOR PANEL RADIATORS**

**022 - Bracket LN**  
Page 27



**024 - Bracket LNV**  
Page 28



**027 - Bracket DX**  
Page 29



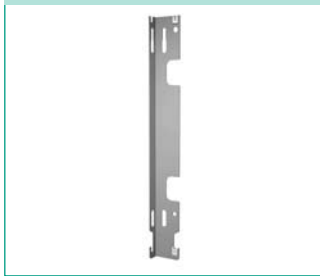
**031 - Bracket L1**  
Page 30



**032 - Bracket L2**  
Page 31



**033 - Bracket L3**  
Page 32



**034 - Bracket L4**  
Page 33



**050 - Bracket T**  
Page 34



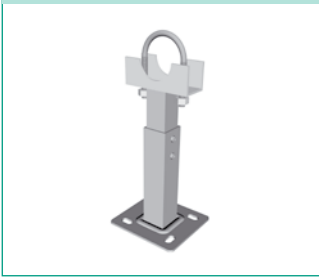
**051 - Bracket TH**  
Page 34





**B - BRACKETS FOR ALUMINIUM RADIATORS**

**100 - Bracket TG**  
Page 35



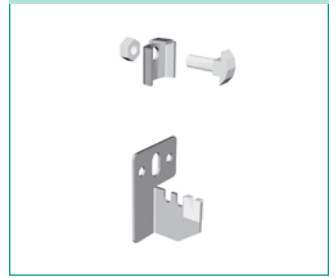
**101 - Bracket AKL**  
Page 35



**102 - Bracket E**  
Page 36



**105 - Bracket A-aklimat**  
Page 37



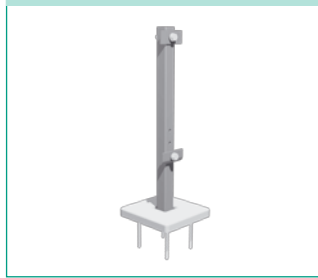
**106 - Bracket DM-aklimat**  
Page 37



**107 - Bracket DM-aklimat**  
stran 38 ddouble



**108 - Bracket DVM-aklimat**  
Page 38



**109 - Bracket AKP**  
Page 39



**110 - Bracket AKM**  
Page 39



**111 - Bracket TD**  
Page 40





**C - BRACKETS FOR TUBULAR RADIATORS**

**200 - Bracket S35**  
Page 41



**201 - Bracket D35**  
Page 42



**202 - Bracket D70**  
Page 43



**210 - Bracket TUB**  
Page 43



**220 - Bracket TT**  
Page 44



**221 - Bracket TC**  
Page 45



**222 - Bracket TB**  
Page 46



**D - BRACKETS FOR BATHROOM RADIATORS**

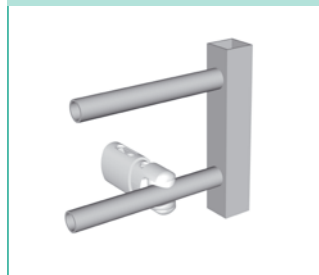
**251 - Bracket O1**  
Page 47



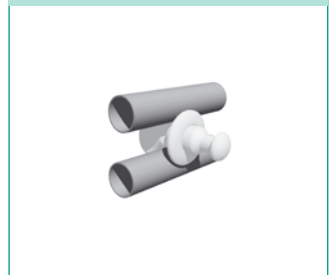
**252 - Bracket O2**  
Page 47



**253 - Bracket O3**  
Page 48



**461 - Towel holder NB1**  
Page 49



**462 - Towel holder NB2**  
Page 49



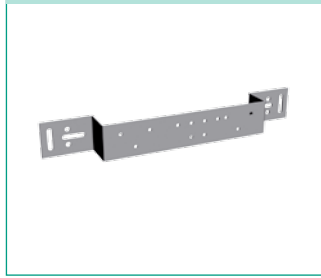


**E - ADDITIONAL FIXING ACCESSORIES**

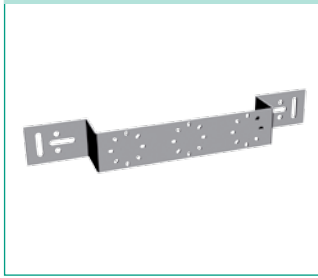
**400 - R template**  
Page 50



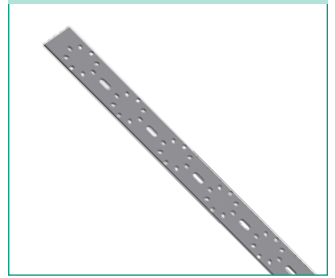
**401 - Fastening plate M**  
Page 50



**402 - Wavin fastening plate**  
Page 51



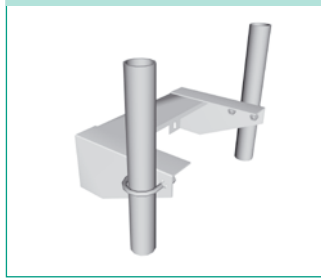
**405 - Wavin fastening plate flat**  
Page 51



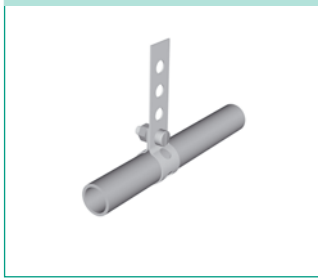
**406 - Bracket for expansion tank**  
Page 52



**430 - Bracket for gas meter**  
Page 52



**407 - Perforated strip**  
Page 53



**420 - Pipe clamp (hanger screw)**  
Page 54



**421 - Pipe clamp (stud bolt)**  
Page 54



**431 - Bracket for A/C**  
Page 55



**432 - Clamp for A/C channels**  
Page 55



**408 - Screws**  
Page 56



**409 - Plugs**  
Page 56



**410 - Radiator key, plug, air vent**  
Page 56



**411 - Rosette T**  
Page 56





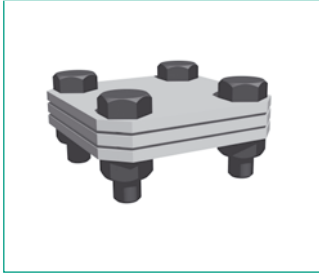


**F - OTHER PRODUCTS**

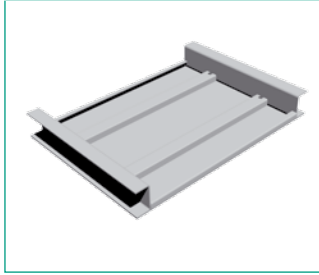
**300 - Framing square table**  
Page 57



**303 - Cross clamp**  
Page 57

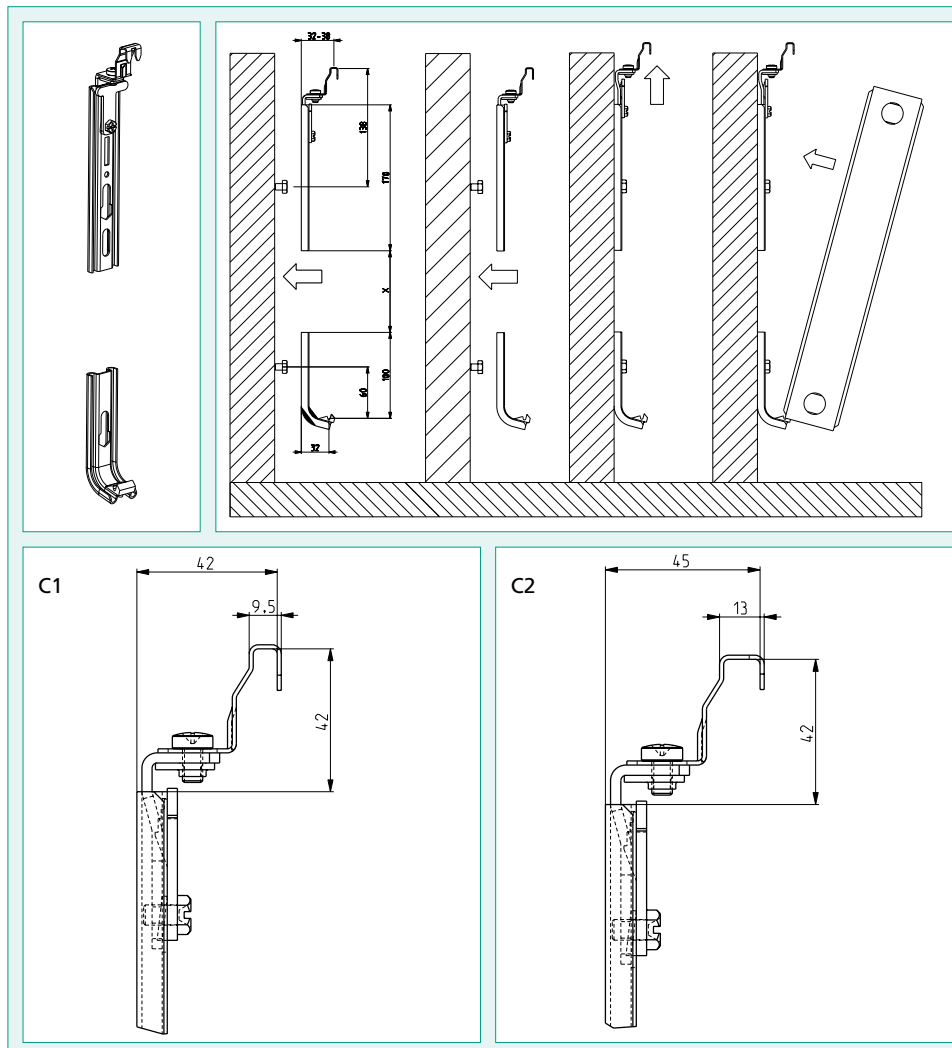


**301 - Paving stones palette**  
Page 58





## 001 - Bracket C-uni



CODE	TYPE	PACKING
1517	C-uni 1	30 pcs
1518	C-uni 2	30 pcs

**Packed:** 2 upper parts of bracket, 2 lower parts of bracket, 4 plugs Ø10 and 4 screws M8x70.

**Usage:** Bracket C-uni is designed for radiators without welded hangers on the rear side (for Ventil Kompakt radiators). It is suitable for all heights of radiators. The bracket holds the lower and top edge (top cover) of the radiator.

**Note:** Dimension of the upper holder depends on the type of the radiator (top cover).

C-uni 1 - upper holder 7 mm

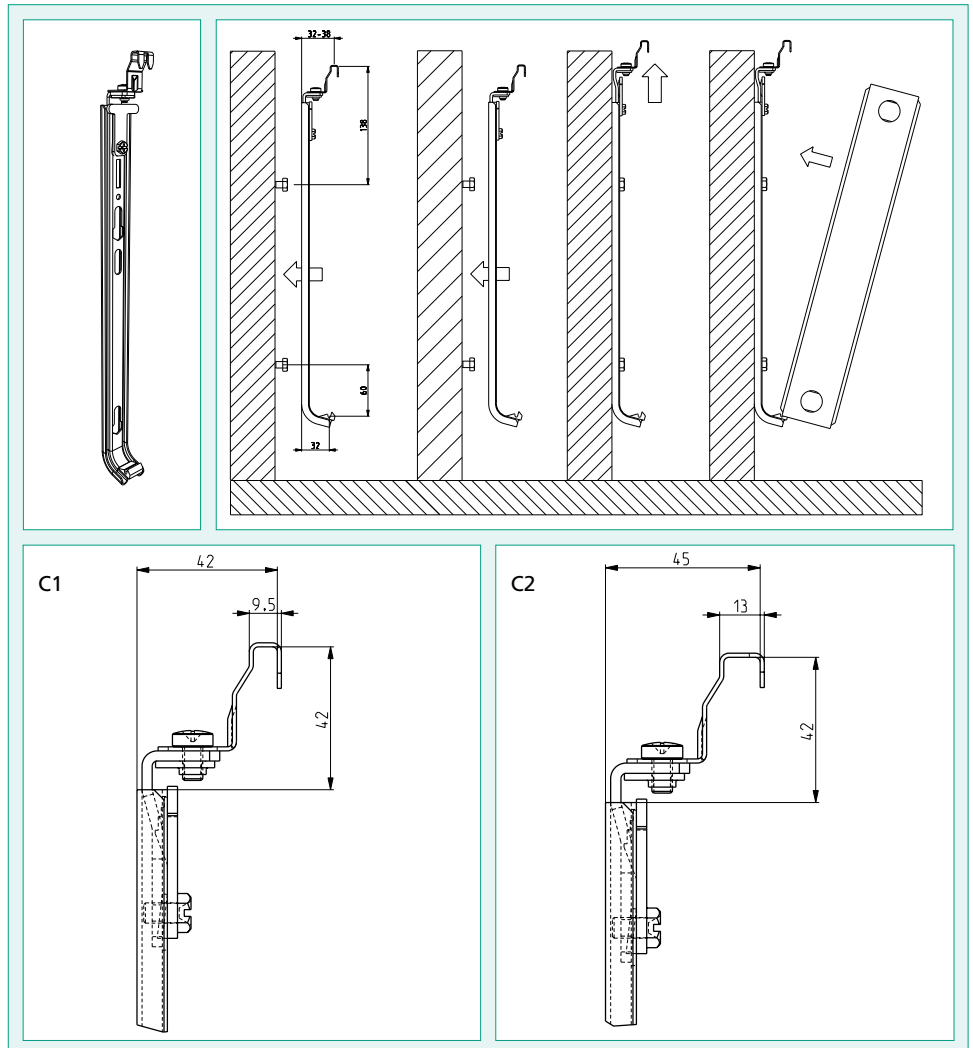
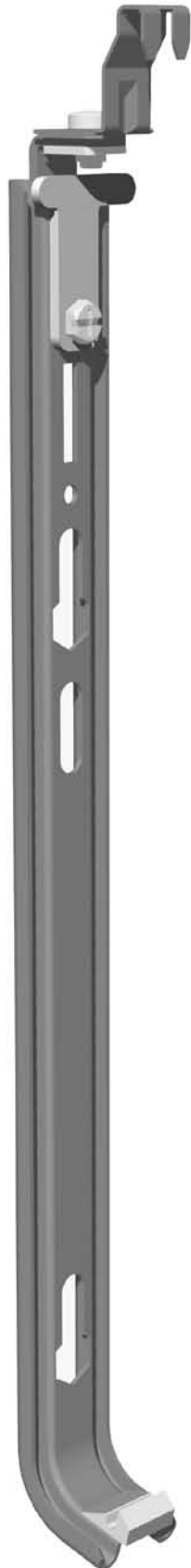
C-uni 2 - upper holder 10 mm

\* The dimension of the upper holder needs to be specified in the order.





## 002 - Bracket C



CODE	TYPE	PACKING
1501	C-300	35 pairs
1502	C-400	35 pairs
1503	C-500	35 pairs
1500	C-600	35 pairs
1505	C-700	25 pairs
1506	C-800*	25 pairs
1504	C-900*	25 pairs

**Packed:** 2 brackets, 2 plugs Ø10 and 2 screws M8×70.  
\* additional set: 2 plugs Ø10 and 2 screws M8×70.

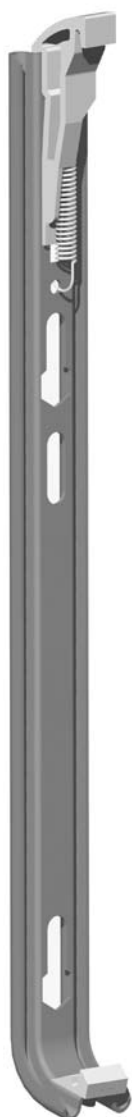
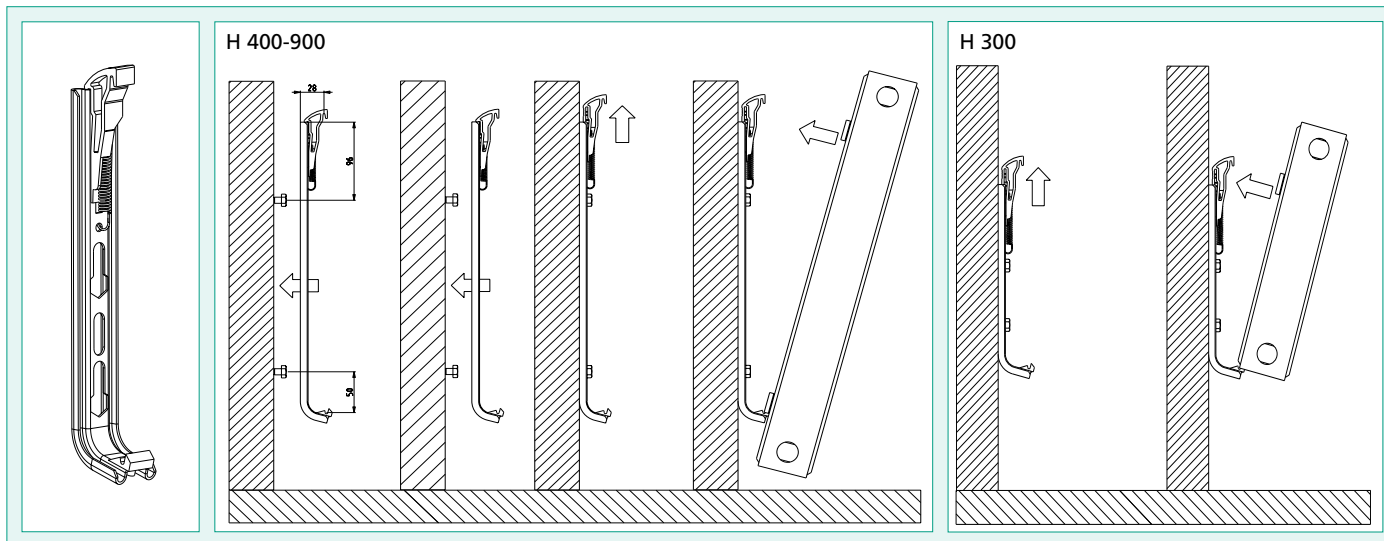
**Usage:** Bracket C is designed for radiators without welded hangers on the rear side (for Ventil Kompakt radiators). The bracket holds the lower and top edge (top cover) of the radiator. The height of the bracket C is the same for all types of radiators.

**Note:** Dimension of the upper holder depends on the type of the radiator (top cover).  
C1 - upper holder 7 mm  
C2 - upper holder 10 mm

\* The dimension of the upper holder needs to be specified in the order.



## 003 - Bracket H



CODE	TYPE	PACKING
1001	BH-300 (VOGEL & NOOT)	40 pairs
1002	BH-400	40 pairs
1003	BH-500	40 pairs
1004	BH-600	40 pairs
1005	BH-900 *	30 pairs
1010	H-300 ko (KORADO, KORAD)	40 pairs
1011	H-400 ko	40 pairs
1012	H-500 ko	40 pairs
1013	H-600 ko	40 pairs
1014	H-900 ko *	30 pairs
1020	H-300 ra (RADEL)	40 pairs
1021	H-400 ra	40 pairs
1022	H-500 ra	40 pairs
1023	H-600 ra	40 pairs
1025	H-700 ra	30 pairs
1024	H-900 ra *	30 pairs
1230	H-400 ap	40 pairs
1231	H-500 ap	40 pairs
1232	H-600 ap	40 pairs
1233	H-800 ap *	30 pairs
1080	H-300 dun (DUNAFFER)	40 pairs
1081	H-500 dun	40 pairs
1082	H-600 dun	40 pairs
1083	H-900 dun *	30 pairs
1295	H-300 henrad (HENRAD, CARADON)	40 pairs
1290	H-400 henrad	40 pairs
1291	H-500 henrad	40 pairs
1292	H-600 henrad	40 pairs
1296	H-700 henrad	30 pairs
1293	H-800 henrad *	30 pairs
1294	H-900 henrad *	30 pairs

**Packed:** 2 brackets, 2 plugs Ø10, 2 screws M8x70 and declaration.  
\* additional set: 2 plugs Ø10 and 2 screws M8x70.

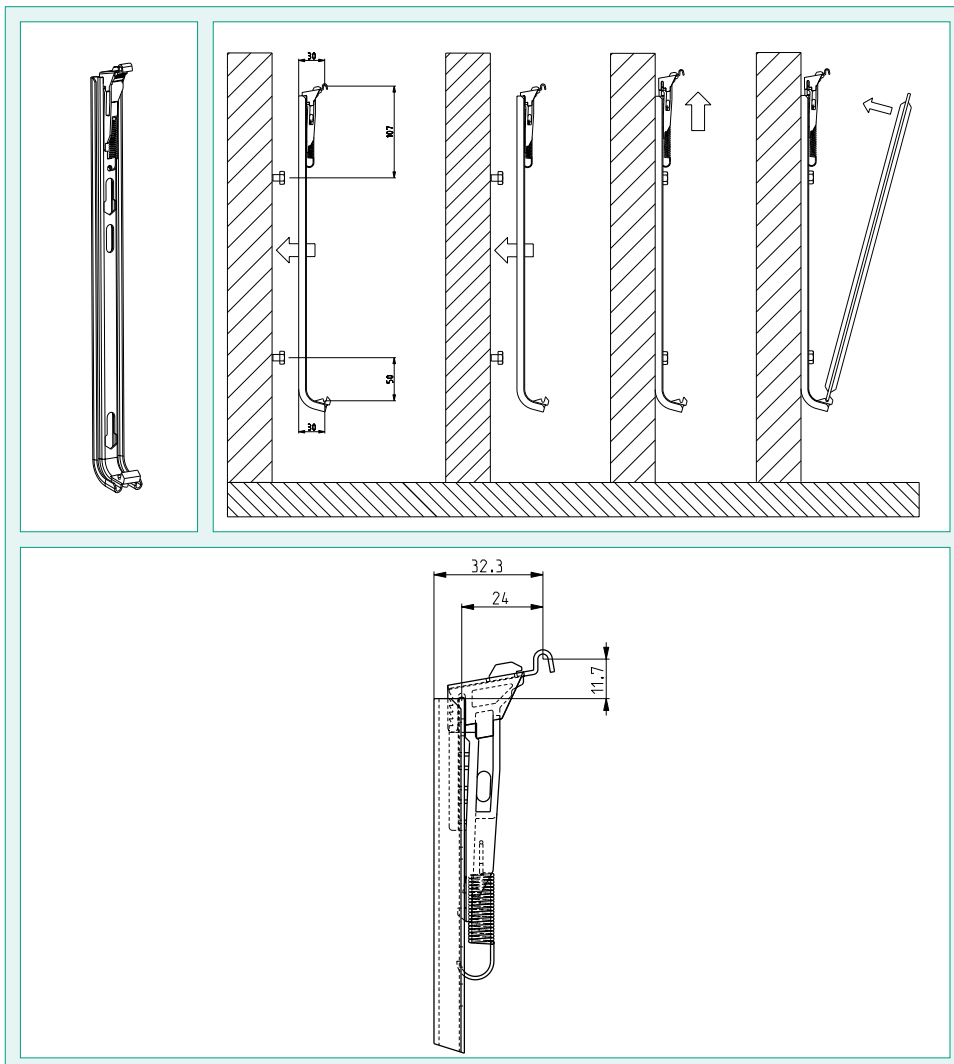
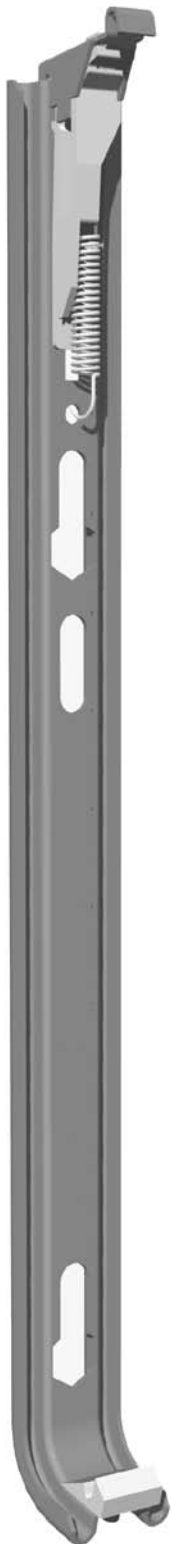
**Usage:** Bracket H is designed for radiators with welded hangers on the rear side. When pressing the radiator against the wall the plastic holder on the top automatically springs into position and locks the radiator. This makes fixing simple and quick. The height of the bracket H depends on the brand of the radiator.

**Note:** H-300: to fix the radiator, position the lower edge of the radiator on the bracket, then push the radiator against the wall. The upper holder automatically springs into position and locks the radiator.

H-400 to H-900: to fix the radiator, position the lower hanger of the radiator on the bracket, then push the radiator against the wall. The upper holder automatically springs into position and locks the radiator.



## 004 - Bracket HK1



CODE	TYPE	PACKING
1700	HK1-300	40 pairs
1701	HK1-400	40 pairs
1702	HK1-500	40 pairs
1703	HK1-600	40 pairs
1704	HK1-700	30 pairs
1705	HK1-800 *	30 pairs
1706	HK1-900 *	30 pairs

**Packed:** 2 brackets, 2 plugs Ø10, 2 screws M8×70 and declaration.  
\* additional set: 2 plugs Ø10 and 2 screws M8×70.

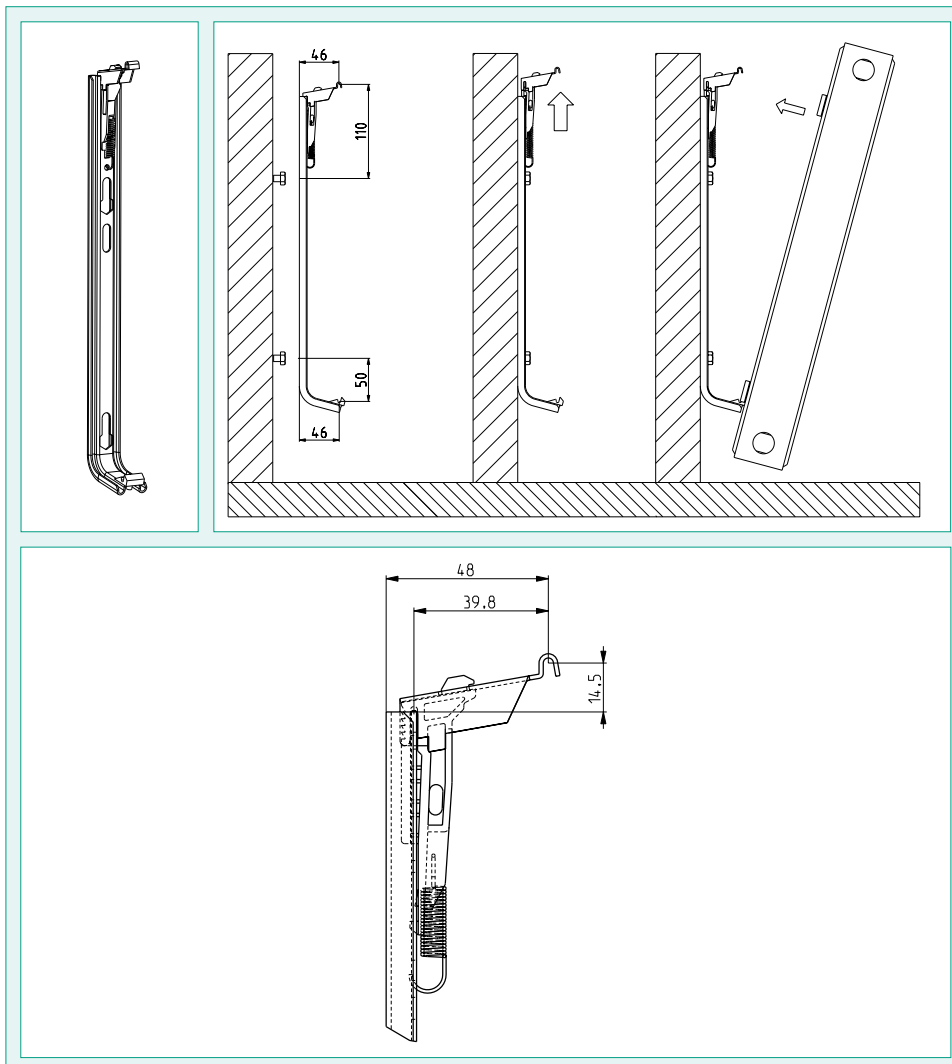
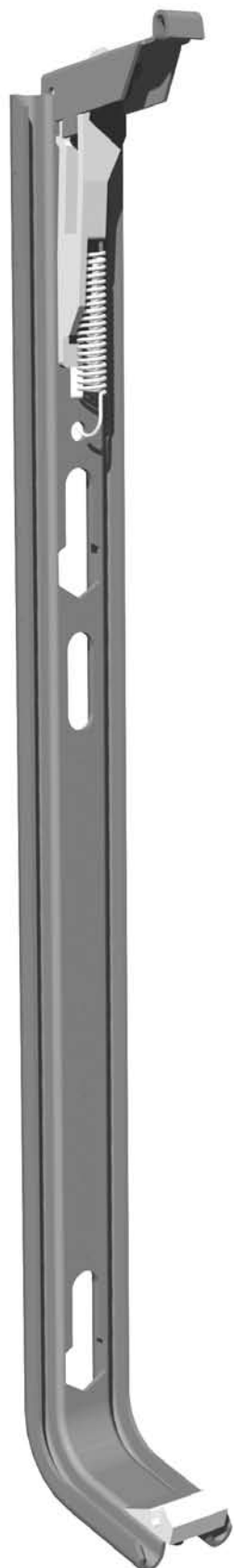
**Usage:** Bracket HK1 is designed for radiators with or without welded hangers on the rear side.

Fixing radiators without welded hangers (VENTIL KOMPAKT): position the lower edge of the radiator on the bracket, then push the radiator against the wall. The upper holder automatically springs into position and locks the radiator. The upper metal holder holds the radiator's upper edge. If the radiator has a decorative top cover, fix the bracket under the top cover.

Fixing radiators with welded hangers: position the lower hanger of the radiator on the bracket, then push the radiator against the wall. The plastic holder with metal fixing cap automatically springs into position and locks the radiator, when the radiator is pressed against the wall, making installation simple and quick. The height of the bracket HK1 depends on the radiator brand and type.



## 005 - Bracket HK2



CODE	TYPE	PACKING
1710	HK2-300	40 pairs
1711	HK2-400	40 pairs
1712	HK2-500	40 pairs
1713	HK2-600	40 pairs
1714	HK2-700	30 pairs
1715	HK2-900 *	30 pairs

**Packed:** 2 brackets, 2 plugs Ø10, 2 screws M8x70 and declaration.  
\* additional set: 2 plugs Ø10 and 2 screws M8x70.

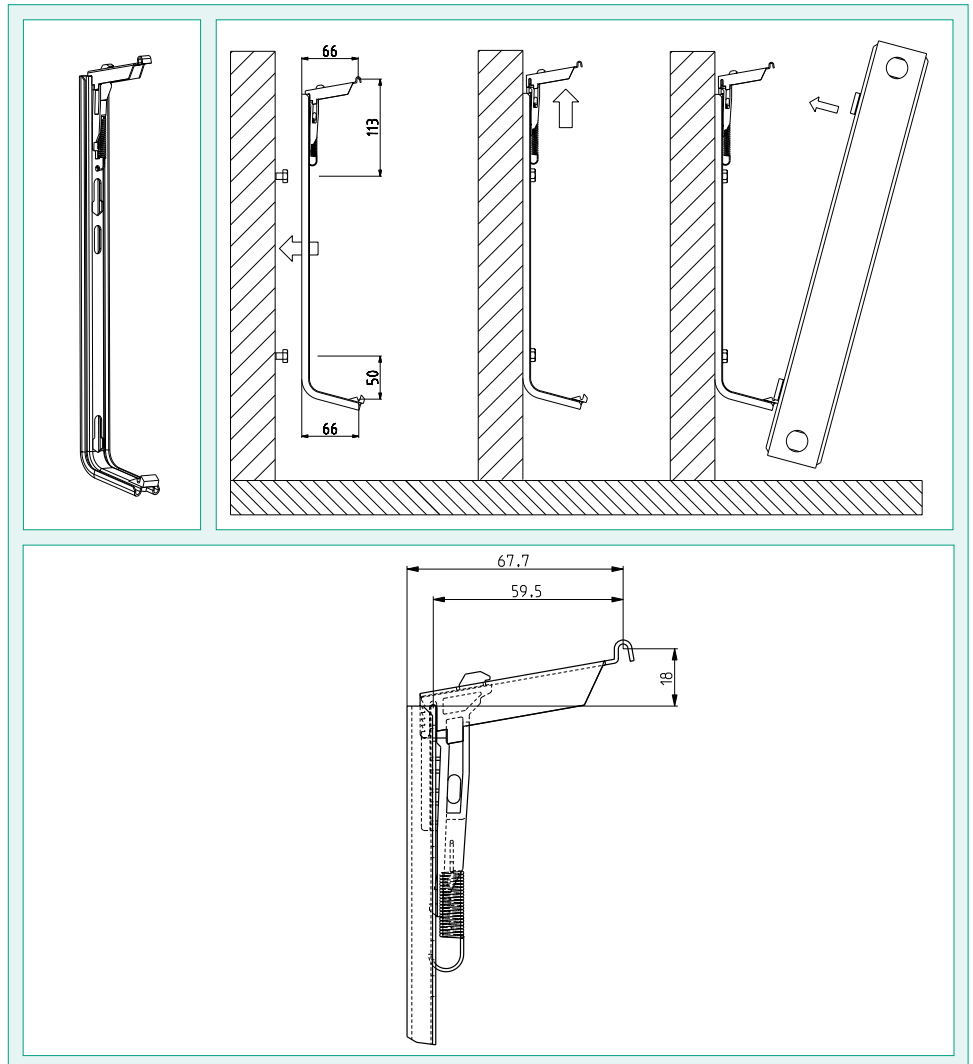
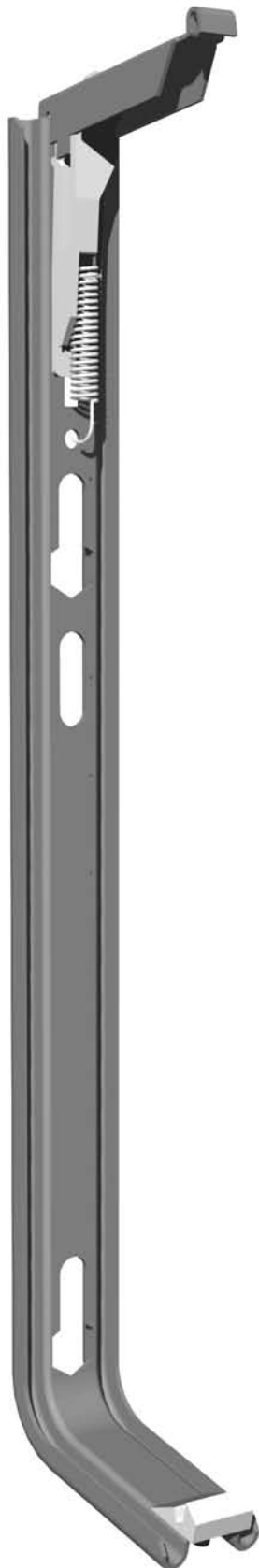
**Usage:** Bracket HK2 is designed for radiators with or without welded hangers on the rear side.

Fixing radiators without welded hangers (Ventil Kompakt): position the lower edge of the radiator on the bracket, then push the radiator against the wall. The upper holder automatically springs into position and locks the radiator. The upper metal holder holds the radiator's upper edge. If the radiator has a decorative top cover, then fix the bracket under the top cover.

Fixing radiators with welded hangers: position the lower hanger of the radiator on the bracket, then push the radiator against the wall. The plastic holder with metal fixing cap automatically springs into position and locks the radiator, when the radiator is pressed against the wall, making installation simple and quick. The height of the bracket HK1 depends on the radiator brand and type



## 006 - Bracket HK3



CODE	TYPE	PACKING
1720	HK3-300	35 pairs
1721	HK3-400	35 pairs
1722	HK3-500	35 pairs
1723	HK3-600	35 pairs
1724	HK3-700	25 pairs
1725	HK3-900*	25 pairs

**Packed:** 2 brackets, 2 plugs Ø10, 2 screws M8×70 and declaration.  
\* additional set: 2 plugs Ø10 and 2 screws M8×70.

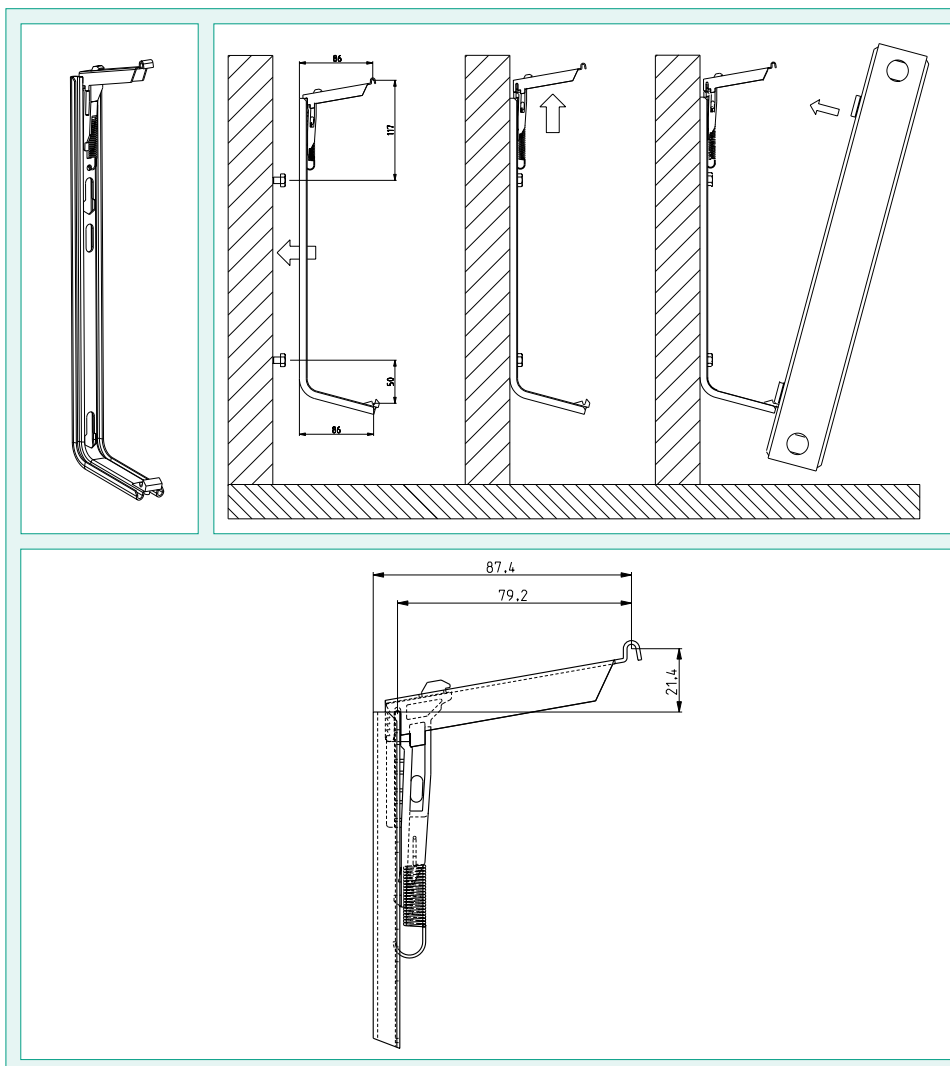
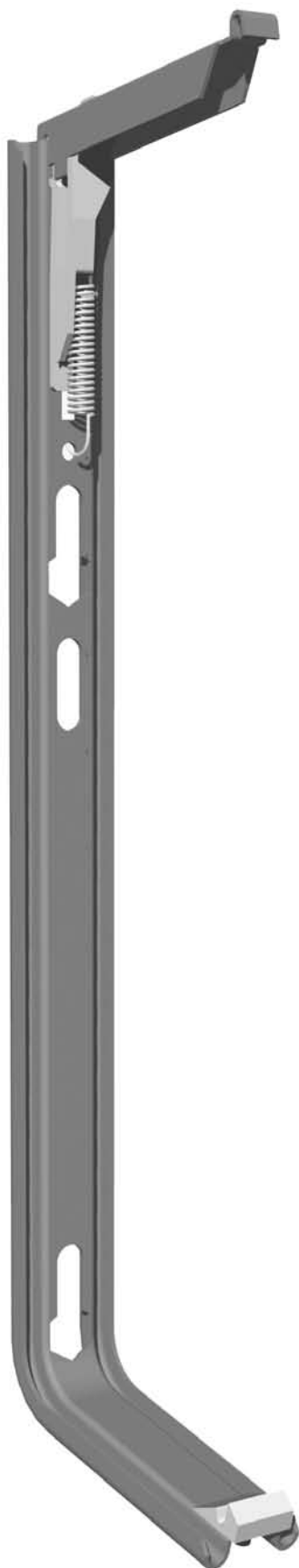
**Usage:** Bracket HK3 is designed for radiators with or without welded hangers on the rear side.

Fixing radiators without welded hangers (Ventil Kompakt): position the lower edge of the radiator on the bracket, then push the radiator against the wall. The upper holder automatically springs into position and locks the radiator. The upper metal holder holds the radiator's upper edge. If the radiator has a decorative top cover, fix the bracket under the top cover.

Fixing radiators with welded hangers: position the lower hanger of the radiator on the bracket, then push the radiator against the wall. The plastic holder with metal fixing cap automatically springs into position and locks the radiator, when the radiator is pressed against the wall, making installation simple and quick. The height of the bracket HK1 depends on the radiator brand and type.



## 007 - Bracket HK4



CODE	TYPE	PACKING
1730	HK4-300	35 pairs
1731	HK4-400	35 pairs
1732	HK4-500	35 pairs
1733	HK4-600	35 pairs
1734	HK4-700	25 pairs
1735	HK4-900 *	25 pairs

**Packed:** 2 brackets, 2 plugs Ø10, 2 screws M8×70 and declaration.  
\* additional set: 2 plugs Ø10 and 2 screws M8×70.

**Usage:** Bracket HK4 is designed for radiators with or without welded hangers on the rear side.

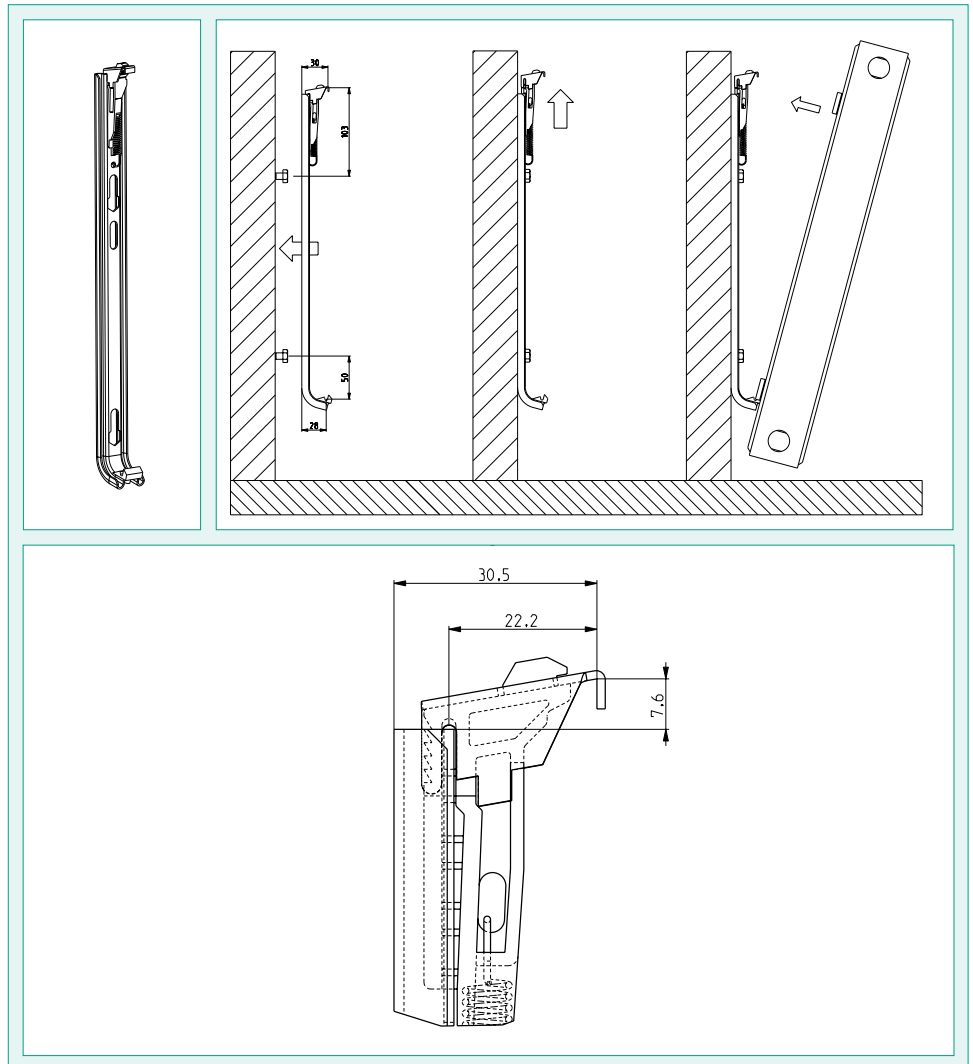
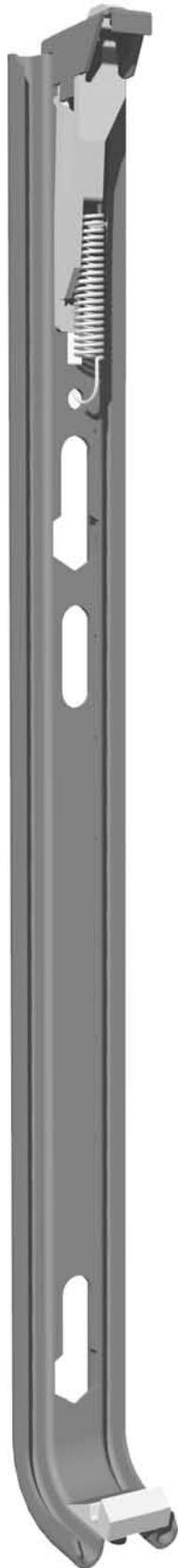
Fixing radiators without welded hangers (Ventil Kompakt): position the lower edge of the radiator on the bracket, then push the radiator against the wall. The upper holder automatically springs into position and locks the radiator. The upper metal holder holds the radiator's upper edge. If the radiator has a decorative top cover, fix the bracket under the top cover.

Fixing radiators with welded hangers: position the lower hanger of the radiator on the bracket, then push the radiator against the wall. The plastic holder with metal fixing cap automatically springs into position and locks the radiator, when the radiator is pressed against the wall, making installation simple and quick. The height of the bracket HK1 depends on the radiator brand and type.





## 008 - Bracket HK5



CODE	TYPE	PACKING
1740	HK5-300	30 pairs
1741	HK5-400	30 pairs
1742	HK5-500	30 pairs
1743	HK5-600	30 pairs
1744	HK5-700	20 pairs
1745	HK5-900 *	20 pairs

**Packed:** 2 brackets, 2 plugs Ø10, 2 screws M8x70 and declaration.  
\* additional set: 2 plugs Ø10 and 2 screws M8x70.

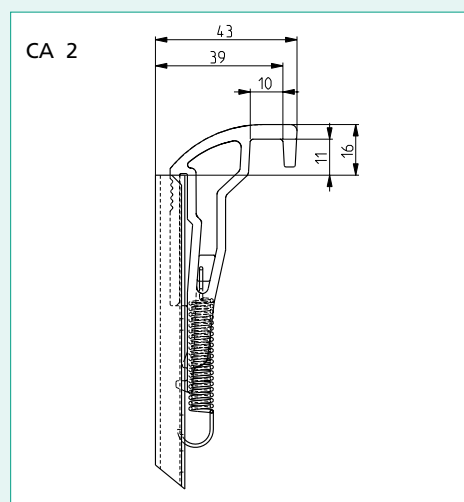
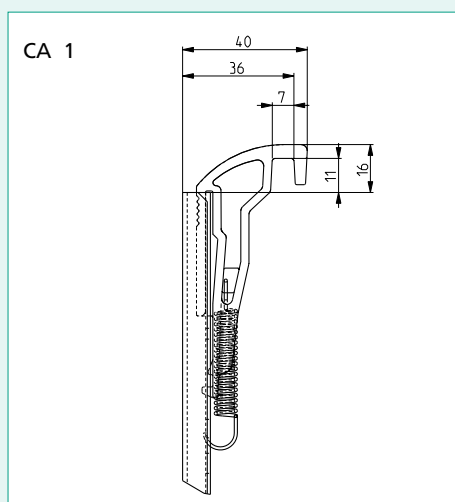
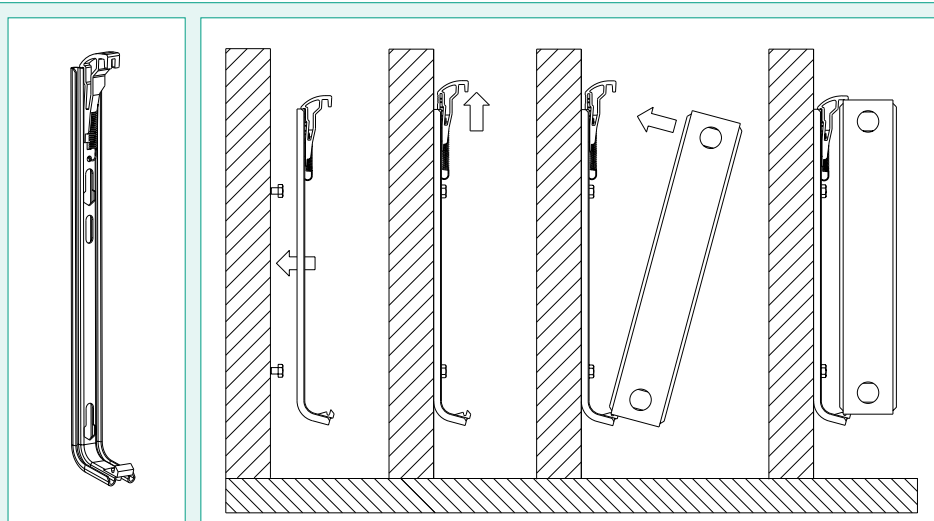
**Usage:** Bracket HK5 is designed for radiators with welded hangers on the rear side. The plastic holder with metal fixing cap on the top automatically springs into position when pressing the radiator against a wall. This makes fixing of these brackets simple and quick. The height of the bracket HK5 depends on the brand of radiator.

**Note:** HK5-300 – to fix the radiator, position the lower edge of the radiator on the bracket, then push the radiator against the wall. The upper holder automatically springs into position and locks the radiator

HK5-350 to HK5-900: to fix the radiator, position the lower hanger of the radiator on the bracket, then push the radiator against the wall. The upper holder automatically springs into position and locks the radiator.



## 009 - Bracket CA



CODE	TYPE	PACKING
1510	CA-300	35 pairs
1511	CA-400	35 pairs
1512	CA-500	35 pairs
1513	CA-600	35 pairs
1514	CA-700	25 pairs
1515	CA-800*	25 pairs
1516	CA-900*	25 pairs

**Packed:** 2 brackets, 2 plugs Ø10 and 2 screws M8 × 70.  
\* additional set: 2 plugs Ø10 and 2 screws M8×70.

**Usage:** Bracket CA is designed for radiators without welded hangers on the rear side (for Ventil Kompakt radiators). The bracket holds the lower and top edge (top cover) of the radiator. The upper holder is made of PA plastic with 30% of glass fibres which gives it excellent firmness. Bracket CA excels in quick fixing as the upper plastic holder automatically springs into position and locks the radiator. The height of the bracket CA is the same for all brands of radiators.

**Note:** Dimension of the upper holder depends on the brand of the radiator (covering top cover).

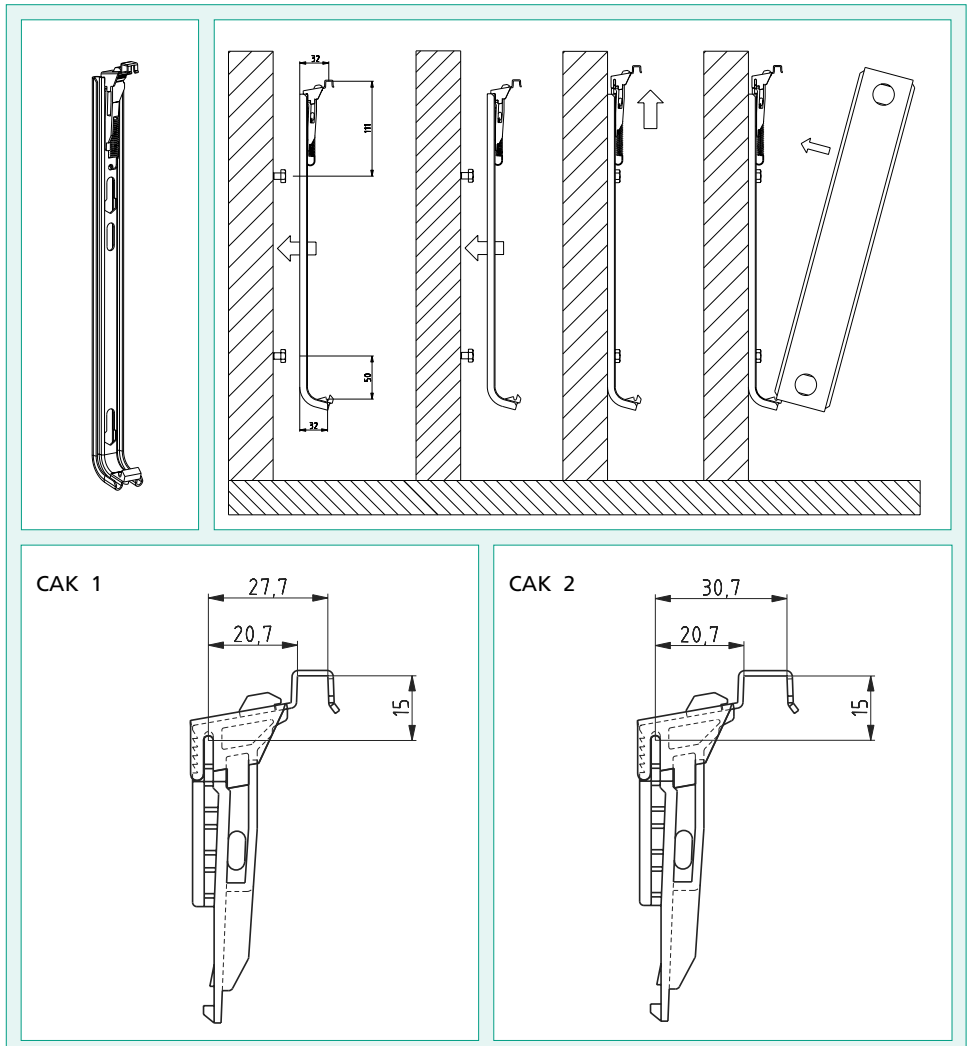
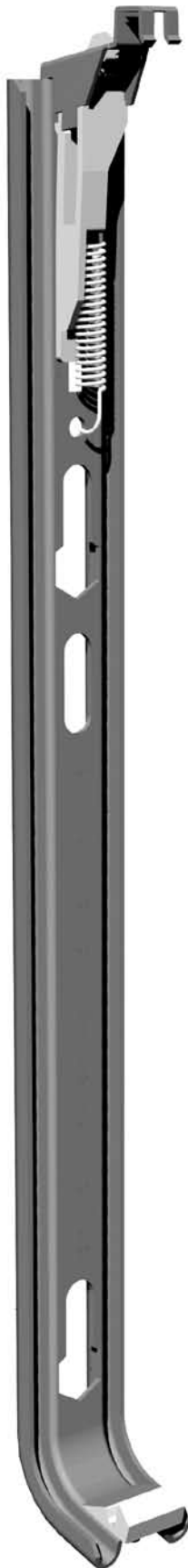
CA1 - upper holder 7 mm

CA2 - upper holder 10 mm

\* The dimension of the upper holder needs to be specified in the order.



## 010 - Bracket CAK



CODE	TYPE	PACKING
1560	CAK-300	35 pairs
1561	CAK-400	35 pairs
1562	CAK-500	35 pairs
1563	CAK-600	35 pairs
1564	CAK-700	25 pairs
1565	CAK-800*	25 pairs
1566	CAK-900*	25 pairs

**Packed:** 2 brackets, 2 plugs Ø10 and 2 screws M8×70.  
\* additional set: 2 plugs Ø10 and 2 screws M8×70.

**Usage:** Bracket CAK is designed for radiators without welded hangers on the rear side (for Ventil Kompakt radiators). The bracket holds the lower and top edge (top cover) of the radiator. The upper holder is made of PA plastic with 30% of glass fibres which gives it excellent firmness. The plastic part of the holder is covered with metal cap which fastens on the top cover of the radiator. Bracket CAK excels in quick fixing as the upper plastic holder automatically springs into position and locks the radiator. The height of the bracket CAK is the same for all brands of radiators.

**Note:** Dimension of the upper holder depends on the brand of the radiator (top cover).

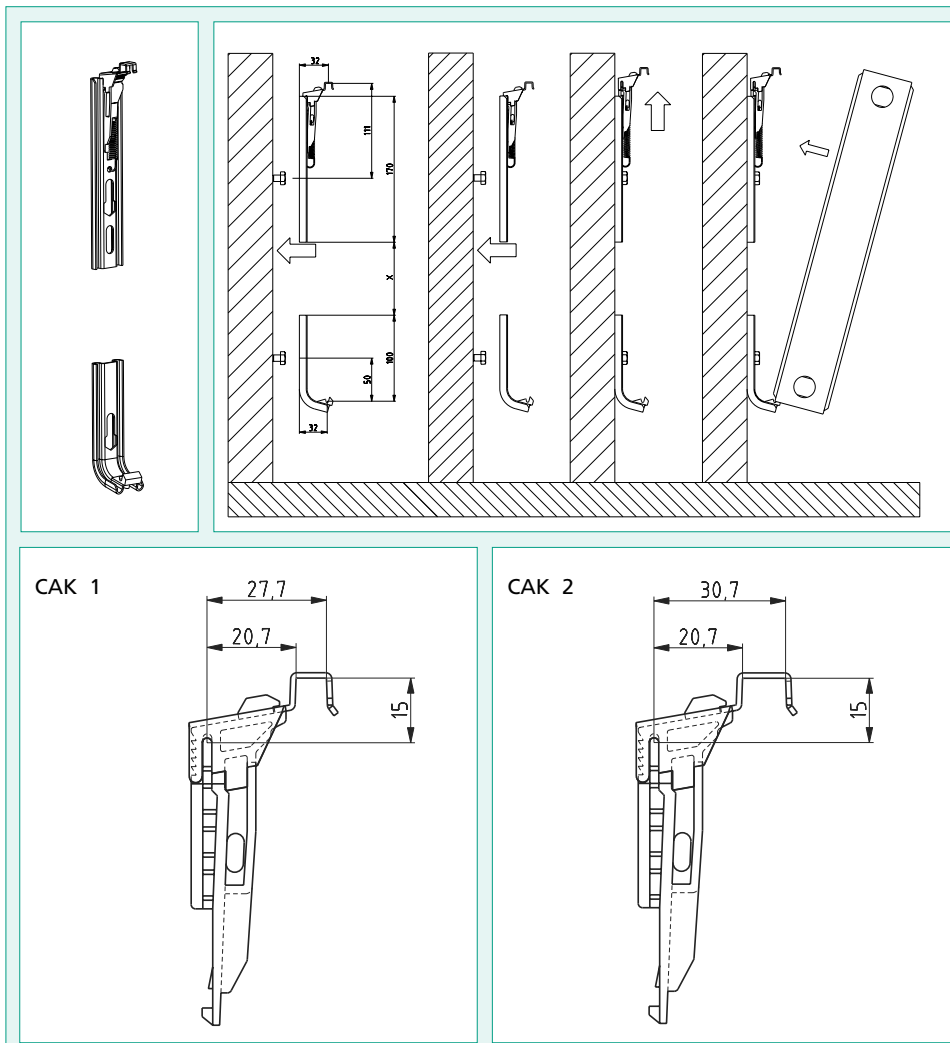
CAK1 - upper holder 7 mm

CAK2 - upper holder 10 mm

\* The dimension of the upper holder needs to be specified in the order.



## 011 - Bracket CAK-uni



CODE	TYPE	PACKING
1567	CAK-uni 1	30 pairs
1568	CAK-uni 2	30 pairs

**Packed:** 2 upper parts of bracket, 2 lower parts of bracket, 4 plugs Ø10 and 4 screws M8x70.

**Usage:** Bracket CAK-uni is designed for radiators without welded hangers on the rear side (for Ventil Kompakt radiators). The upper holder is made of PA plastic with 30% of glass fibres which gives it excellent firmness. The plastic part of the holder is covered with metal cap which fastens on the top cover of the radiator. Bracket CAK-uni is used for all heights, types and brands of radiators. The bracket holds the lower and top edge (top cover) of the radiator.

**Note:** Dimension of the upper holder depends on the brand of the radiator (top cover).

CAK-uni 1 - upper holder 7 mm

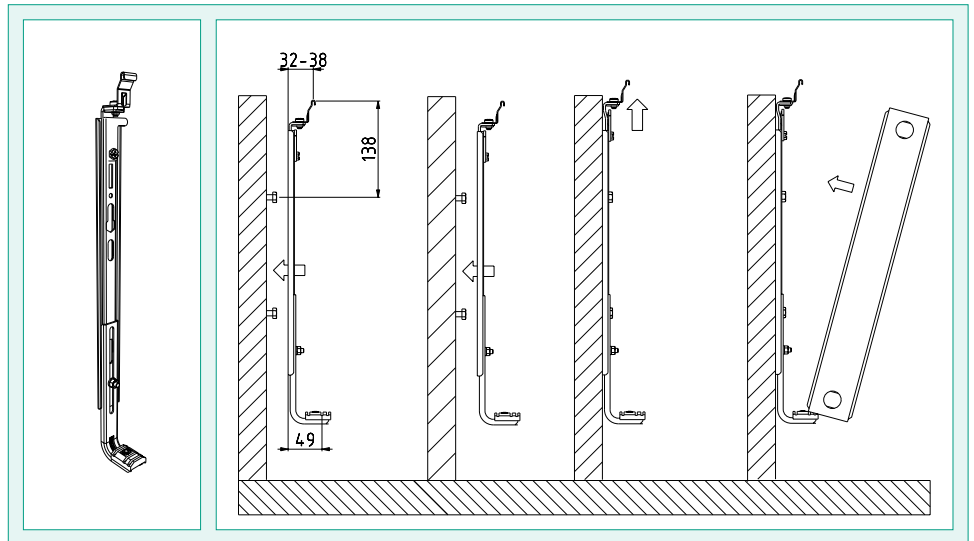
CAK-uni 2 - upper holder 10 mm

\* The dimension of the upper holder needs to be specified in the order.





## 012 - Bracket BHC



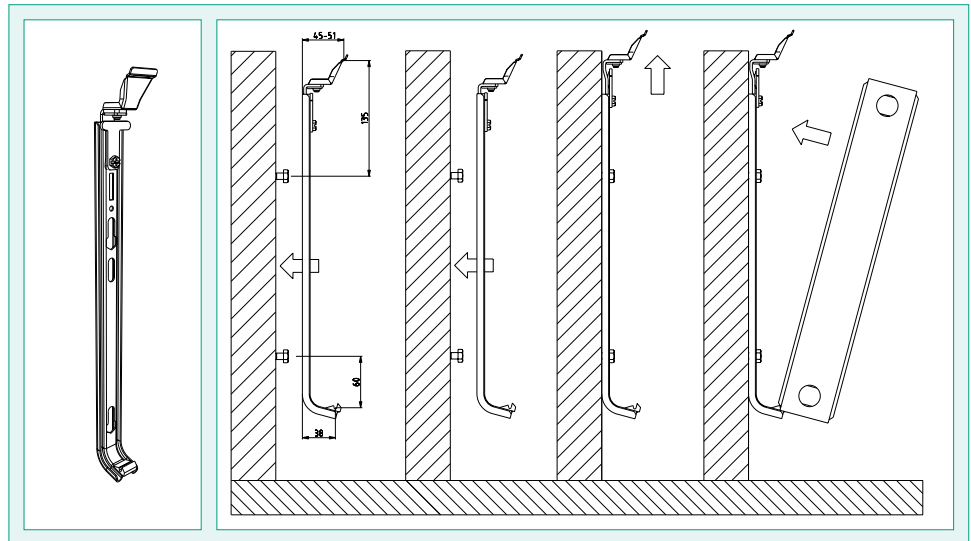
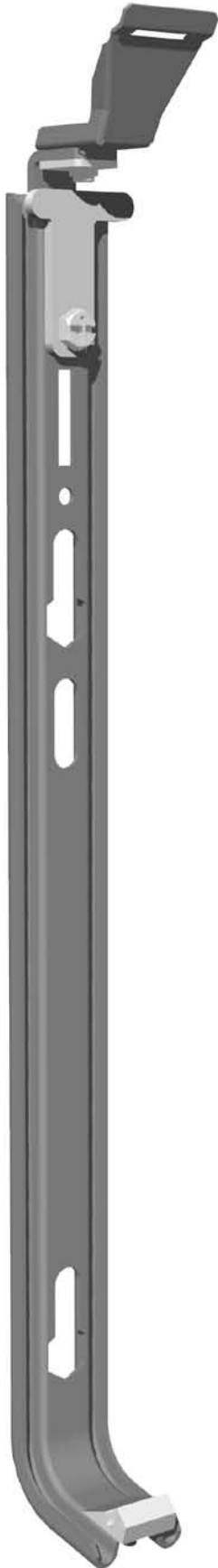
CODE	TYPE	PACKING
3015	BHC 300-400	30 pairs
3016	BHC 500-600	30 pairs
3017	BHC 800-900	25 pairs

**Packed:** 2 brackets, 2 plugs Ø10, 2 screws M8x70, declaration.  
\* additional set: 2 plugs Ø10 and 2 screws M8x70.

**Usage:** Bracket BHC is designed for all types and heights of radiators. It is possible to replace the upper holder considering the shape of the decorative top cover on the radiator. The bracket has a special security system which prevents unfastening of radiator, so it is suitable for public institutions (schools, hospitals...).



## 013 - Bracket BUD



CODE	TYPE	PACKING
1551	H-300	30 pairs
1552	H-400	30 pairs
1553	H-500	30 pairs
1550	H-600	30 pairs
1554	H-900*	25 pairs

**Packed:** 2 brackets, 2 plugs Ø10 and 2 screws M8×70.

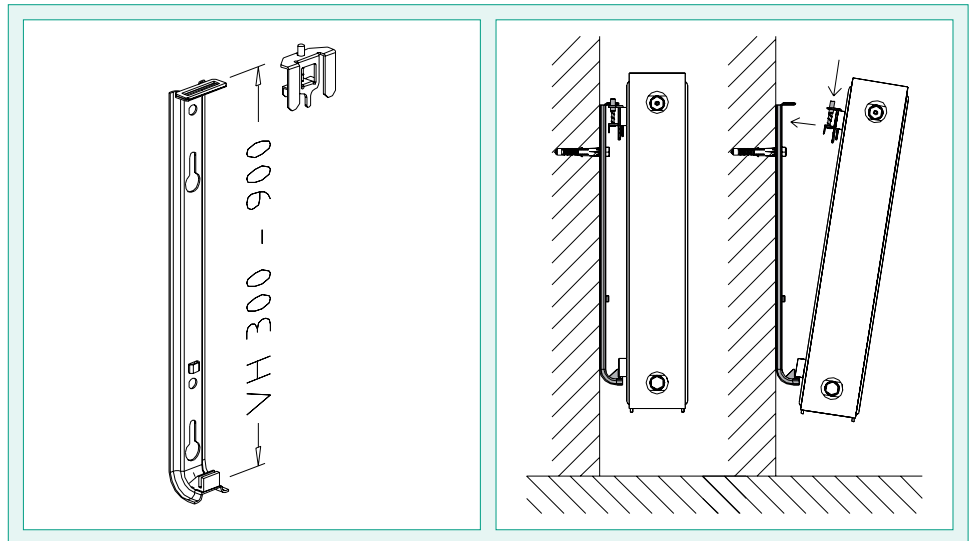
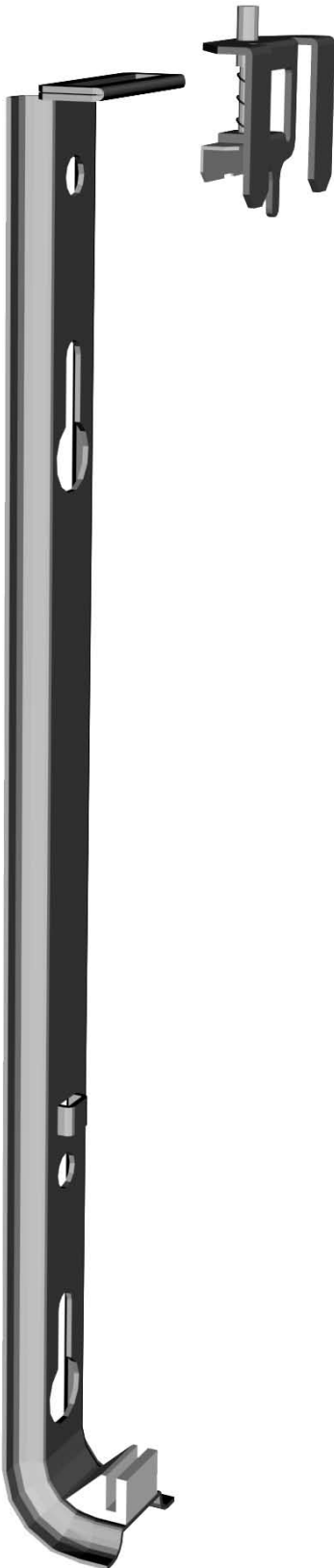
\* additional set: 2 plugs Ø10 and 2 screws M8×70.

**Usage:** Bracket BUD is designed for Buderus radiators without welded hangers on the rear side. The bracket holds the lower and top edge of the radiator.

Buderus radiator has a special holder under the decorative top cover on which the upper part of the bracket is fastened.



## 014 - Bracket VH



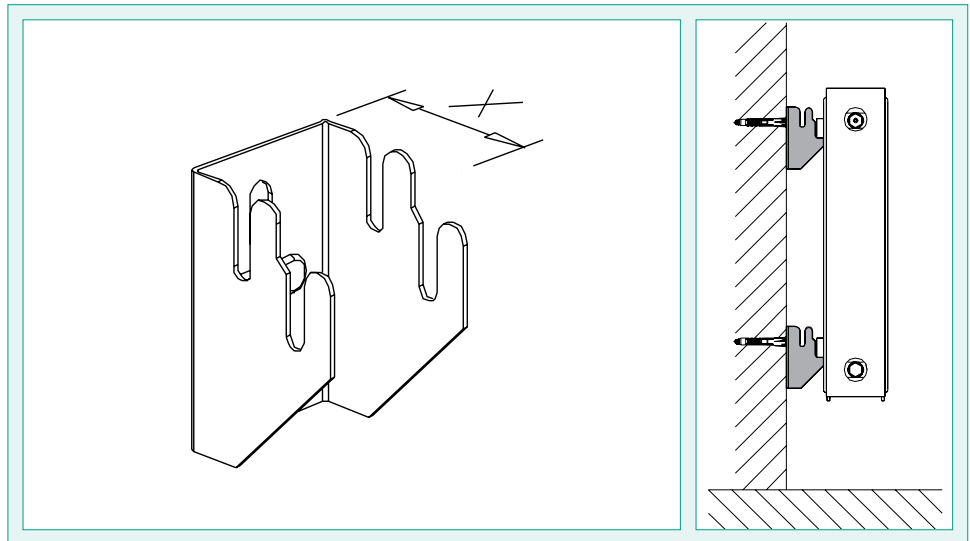
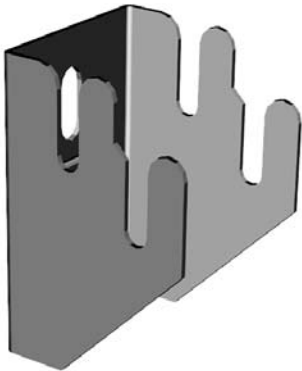
CODE	TYPE	PACKING
1200	VH-300	30 pairs
1201	VH-400	30 pairs
1202	VH-500	30 pairs
1203	VH-600	30 pairs
1204	VH-900*	20 pairs

**Packed:** 2 brackets, 2 plugs Ø10, 2 screws M8x70, declaration.  
\* additional set: 2 plugs Ø10 and 2 screws M8x70.

**Usage:** Bracket VH is designed for Voogel & Noot and other brands of radiators. The bracket has a special security system which prevents easy unfastening of radiator, so it is suitable for public institutions (schools, hospitals...).



## 016 - Bracket U

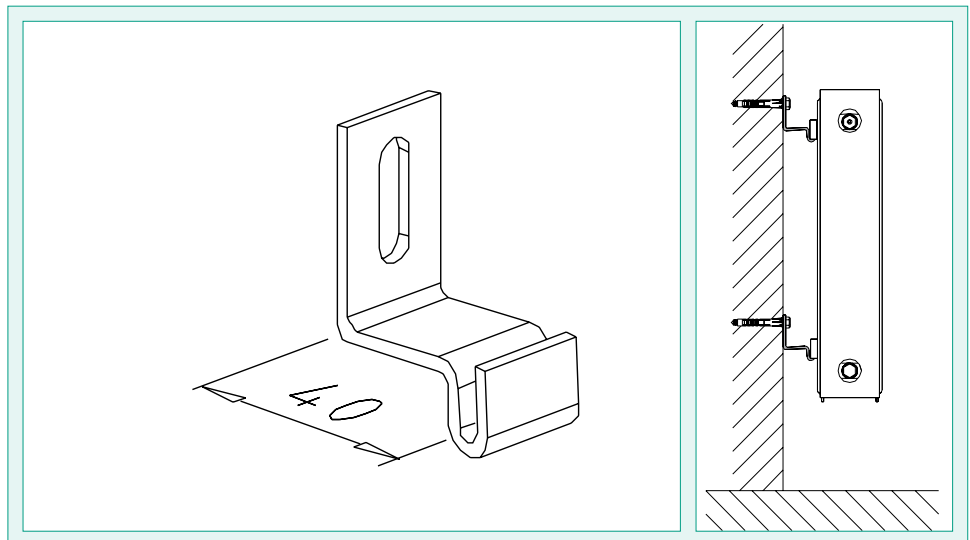


CODE	TYPE	PACKING
2200	U	80 pcs

**Packed:** 4 brackets.

**Usage:** Bracket U is designed for convector and ribbed radiators with welded hangers on the rear side. Position the radiator on the bracket groove.

## 017 - Bracket K



CODE	TYPE	PACKING
1102	K*	50 sets

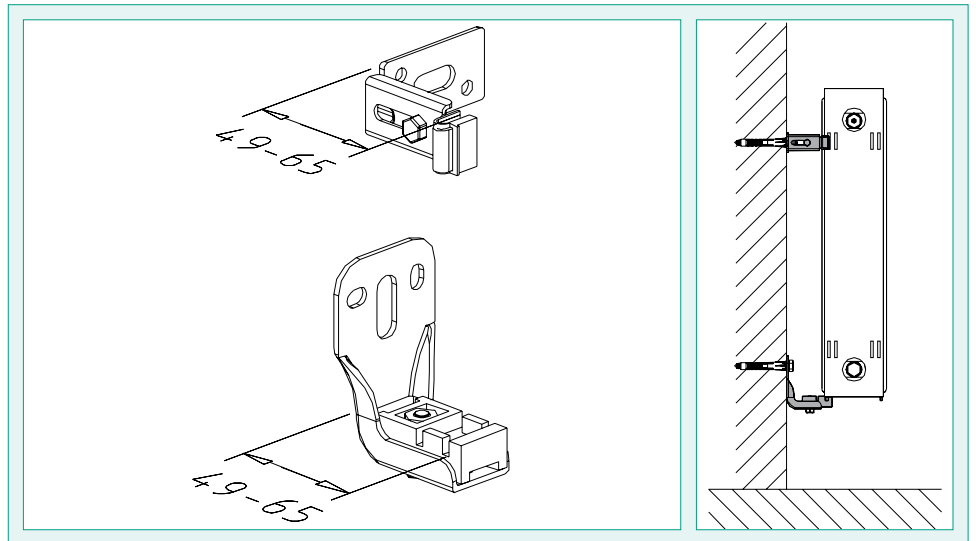
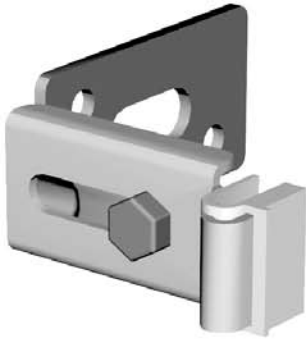
**Packed:** 4 brackets, 4 plugs Ø10 and 4 screws M8×60.  
\* extra: air vent and blind plug ½".

**Usage:** Bracket K is designed for all types of radiators with welded hangers on the rear side. The bracket is easily fitted and has large load capacity.





## 018 - Bracket F



CODE	TYPE	PACKING
1100	F	50 sets
1101	F p+č *	50 sets

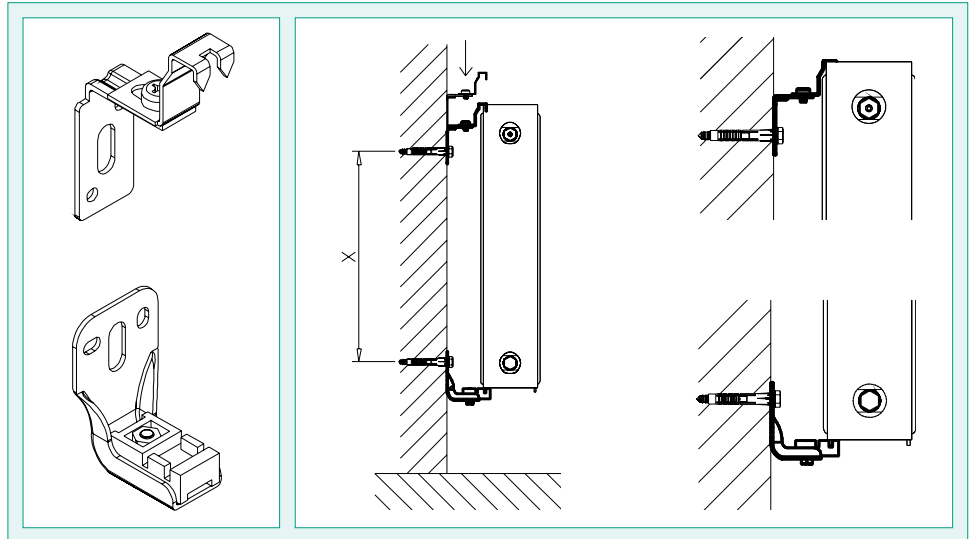
**Packed:** 2 upper parts of bracket, 2 lower parts of bracket, 4 plugs Ø10 and 4 screws M8×60.  
\* extra: air vent and blind plug ½".

**Usage:** Bracket F is designed for radiators without welded hangers on the rear side, however, have indentations on the sides. It is suitable for all heights, types and brands of radiators.





## 019 - Bracket FC



CODE	TYPE	PACKING
1105	FC	50 sets
1106	FC p + ě *	50 sets

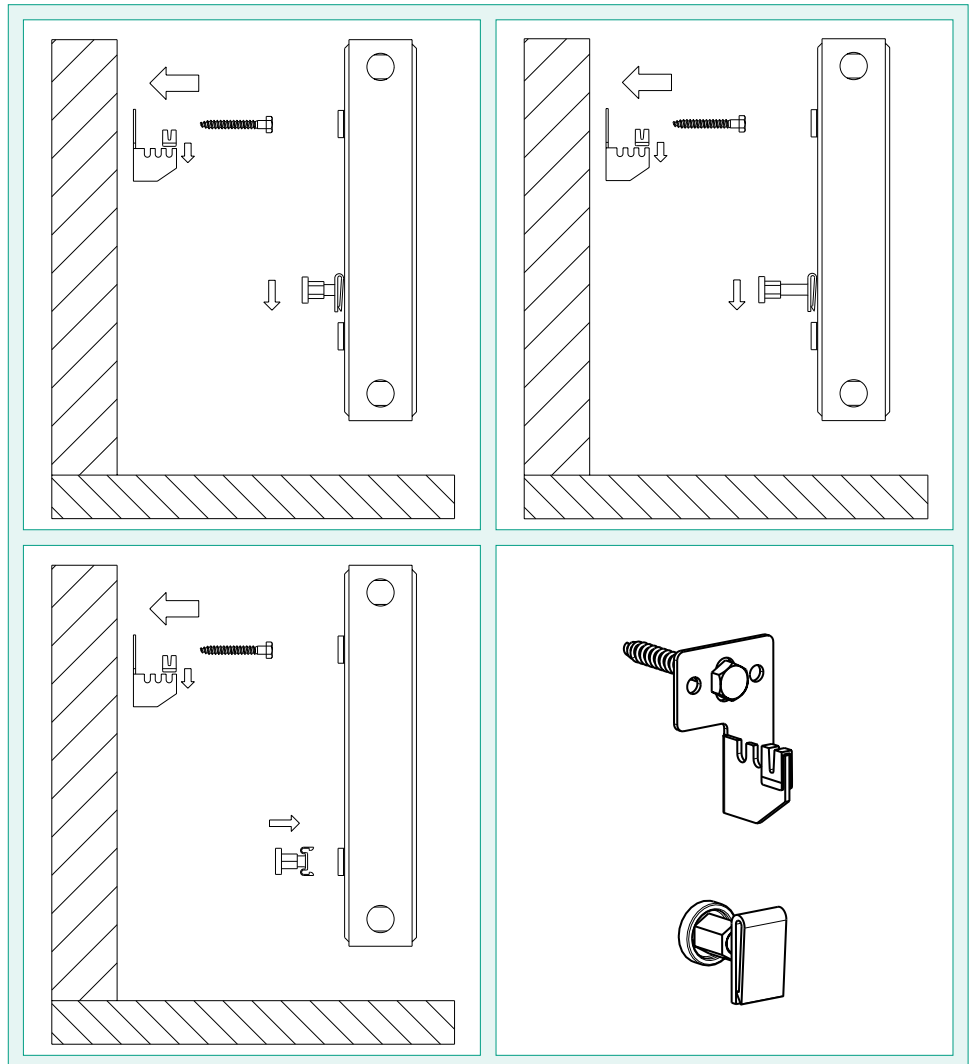
**Packed:** 2 upper parts of bracket, 2 lower parts of bracket, 4 plugs Ø10 and 4 screws M8x60.  
\* extra: air vent and blind plug ½".

**Usage:** Bracket FC is designed for radiators without welded hangers on the rear side (Ventil Kompakt radiators). The upper part of the bracket sticks over the top cover of the radiator. It is suitable for all heights, types and brands of radiators.





## 020 - Bracket D



CODE	TYPE	PACKING
1111	D-1	100 sets
1110	D-2*	100 sets
1112	D-3 *	70 sets
1115	D-2 podaljšan vijak *	100 sets

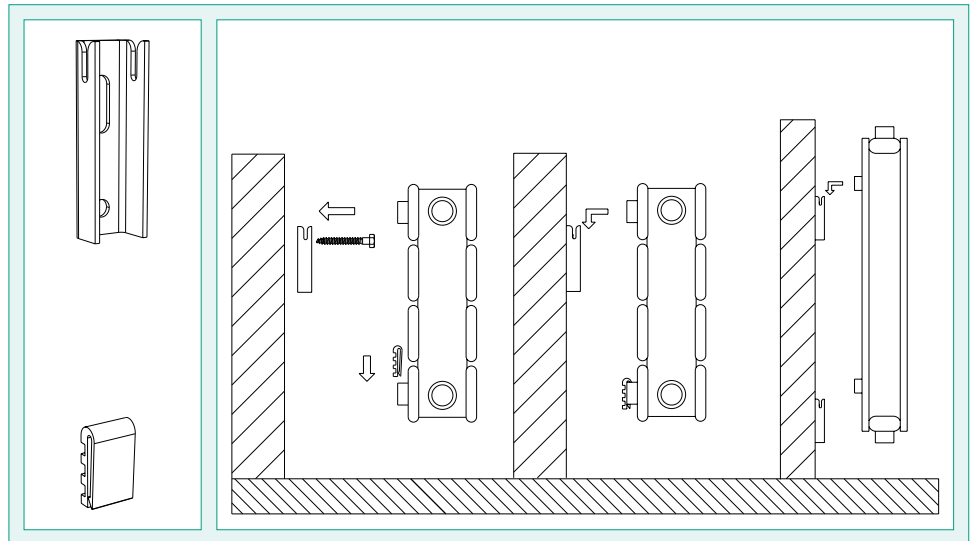
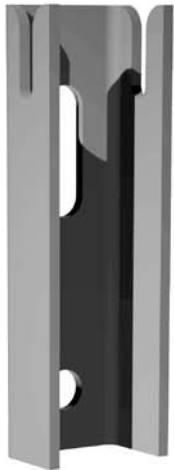
**Packed:** Each of D-1 and D-2 sets include: 2 brackets, 2 spacers, 2 plugs Ø10 and 2 screws M8×60.

Each D-3 set includes: 3 brackets, 3 spacers, 3 plugs Ø10 and 3 screws M8×60.  
\* extra: air vent and blind plug ½".

**Usage:** Bracket D is designed for radiators with welded hangers on the rear side. The radiator is held by the upper hanger. The plastic spacer fixed on the lower hanger of the radiator can be optionally set. Bracket D is suitable for all heights, types and brands of radiators.



## 021 - Bracket A1



CODE	TYPE	PACKING
1601	A1 kit 2	100 sets
1602	A1 kit 1	80 sets

**Packed:** A-1 kit 2 - 2 brackets, 2 spacers, 2 plugs Ø10 and 2 screws M8×60.  
 A-1 kit 1 - 3 brackets, 3 spacers, 3 plugs Ø10 and 3 screws M8×60.

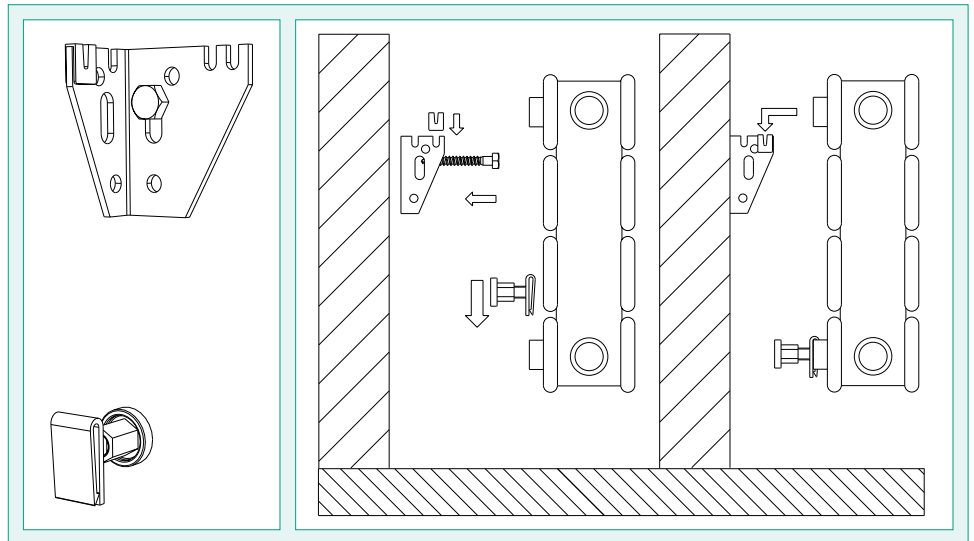
**extra:** additional air vent and blind plug ½".

**Usage:** Bracket A1 is designed for panel and convactor radiators with welded hangers on the rear side. The plastic spacer is fixed on the lower hanger of the radiator. Distance between the wall and radiator is 15 mm. Bracket A1 is suitable for all heights, types and brands of radiators.





## 022 - Bracket LN



CODE	TYPE	PACKING
1603	LN kit 2	50 sets
1604	LN kit 1	50 sets

**Packed:** LN kit 2 - 1 left bracket, 1 right bracket, 2 spacers, 2 plugs Ø10 and 2 screws M8x60.

LN kit 1 - 2 left brackets, 1 right bracket, 3 spacers, 3 plugs Ø10 and 3 screws M8x60.

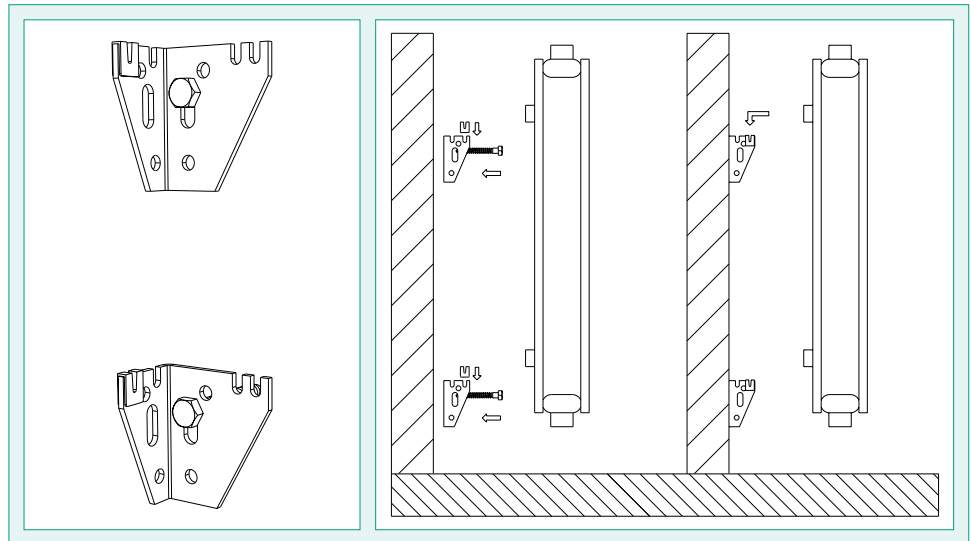
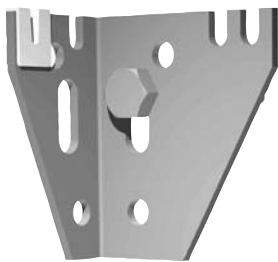
**extra:** additional air vent and blind plug ½".

**Usage:** Bracket LN is designed for panel and convector radiators with welded hangers on the rear side. The bracket bears the radiator by the upper hanger. The plastic spacer is fixed on the lower hanger of the radiator. Because of the four grooves on the bracket, distance from the wall is adjustable. Bracket LN is suitable for all heights, types and brands of radiators.





## 024 - Bracket LNV



CODE	TYPE	PACKING
1605	LNV	50 pcs

**Packed:** 2 left brackets, 2 right brackets, 4 plugs Ø10 and 4 screws M8x60.

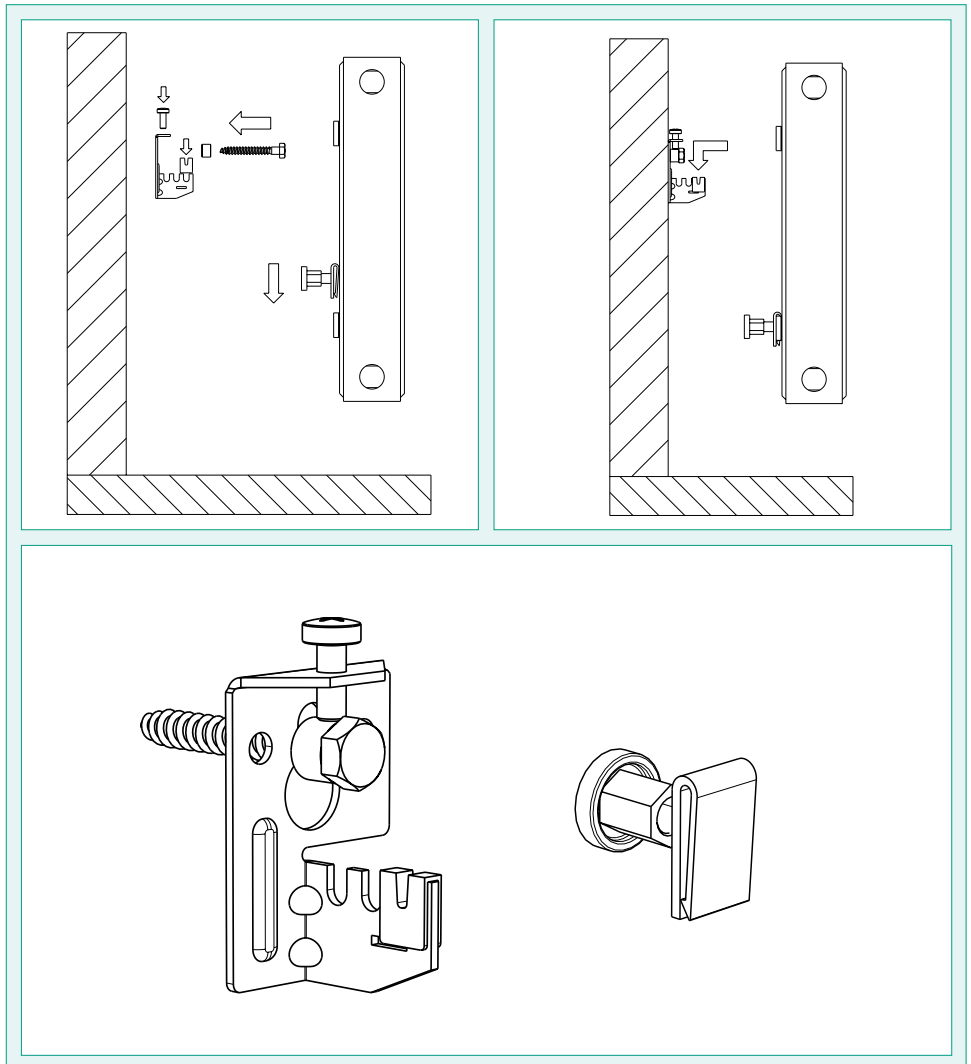
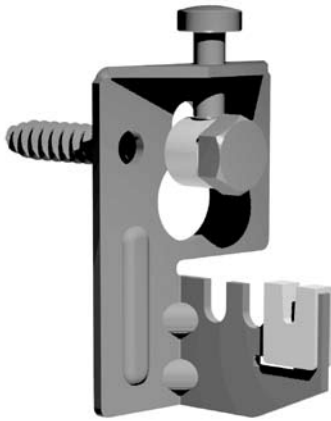
**extra:** additional air vent and blind plug ½".

**Usage:** Bracket LNV is designed for panel and convector radiators with welded hangers on the rear side. The bracket bears the radiator by the upper and lower hanger. Because of the four grooves on the bracket, distance from the wall is adjustable. Bracket LN is suitable for all heights, types and brands of radiators.





**027 - Bracket DX**



CODE	TYPE	PACKING
1108	DX	50 pcs
1109	DX-2	50 pcs

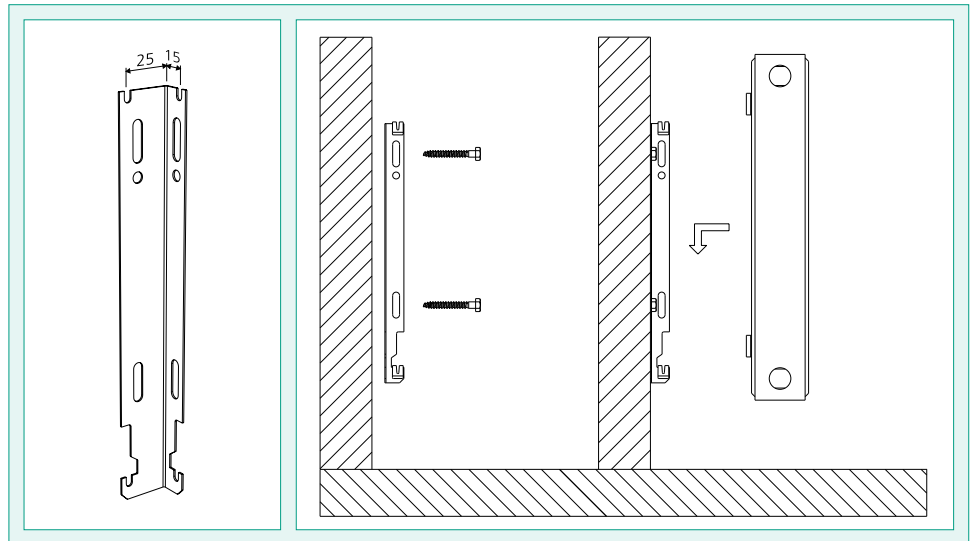
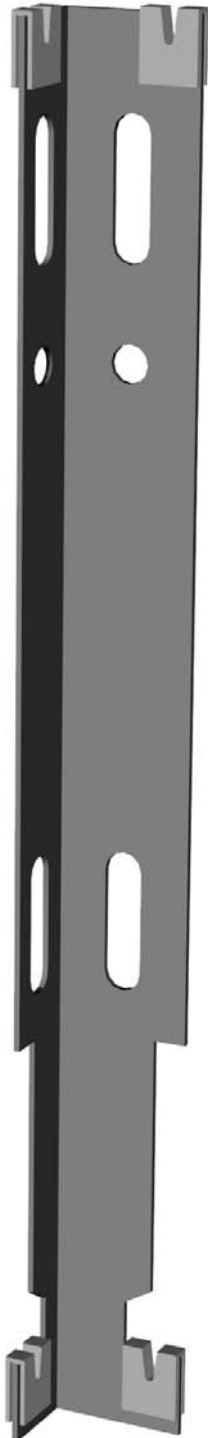


**Packed:** 2 brackets, 2 spacers, 2 plugs Ø10 and 2 screws M8×60.  
DX-2: additional air vent and blind plug ½”.

**Usage:** Bracket DX is designed for radiators with welded hangers on the rear side. The bracket bears the radiator by the upper hanger. The plastic spacer fixed on the lower hanger can be optionally set. Bracket DX is suitable for all heights, types and brands of radiators. Speciality of the bracket DX is the screw, designed for micro setting of the radiator's height.



## 031 - Bracket L1



CODE	TYPE	PACKING
1530	L1-300	70 pairs
1531	L1-400	70 pairs
1532	L1-500	70 pairs
1533	L1-600	70 pairs
1534	L1-700	70 pairs
1535	L1-800	70 pairs
1536	L1-900	70 pairs
1537	L1-300 p+č	60 pairs
1538	L1-400 p+č	60 pairs
1539	L1-500 p+č	60 pairs
1540	L1-600 p+č	60 pairs
1541	L1-700 p+č	60 pairs
1542	L1-800 p+č	60 pairs
1543	L1-900 p+č	60 pairs

**Packed:** 2 brackets, 4 plugs Ø8, 4 screws M6x45 and 4 plastic saddle.

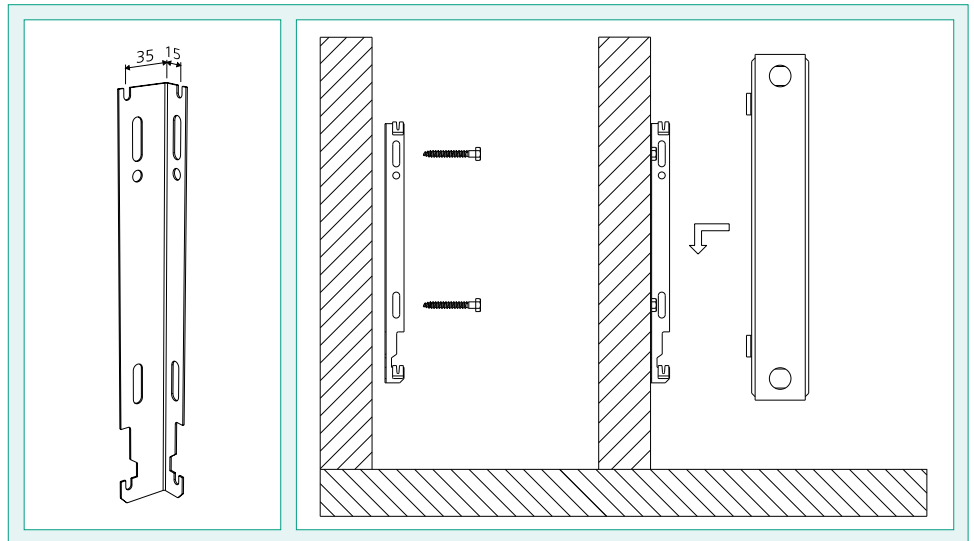
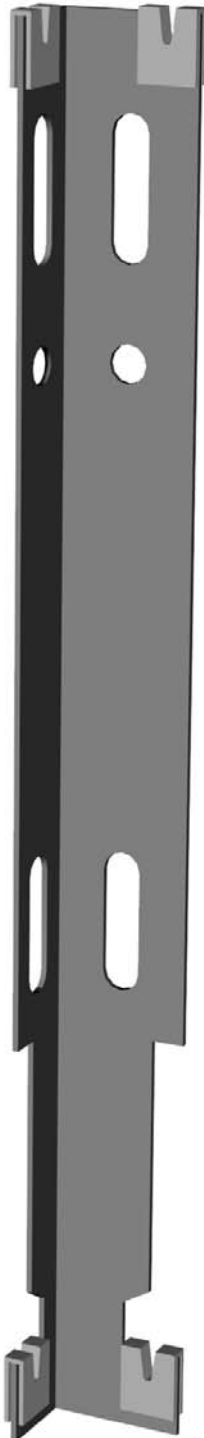
**Usage:** Bracket L1 is designed for radiators with welded hangers on the rear side. Radiator is fixed on the bracket grooves. The height of the bracket L1 depends on the brand of the radiator.

**Note:** a+p - air vent and blind plug ½" are added.





## 032 - Bracket L2



CODE	TYPE	PACKING
1570	L2-300	70 pairs
1571	L2-400	70 pairs
1572	L2-500	70 pairs
1573	L2-600	70 pairs
1574	L2-700	70 pairs
1575	L2-800	70 pairs
1576	L2-900	70 pairs
1577	L2-300 p+č	60 pairs
1578	L2-400 p+č	60 pairs
1579	L2-500 p+č	60 pairs
1580	L2-600 p+č	60 pairs
1581	L2-700 p+č	60 pairs
1582	L2-800 p+č	60 pairs
1583	L2-900 p+č	60 pairs

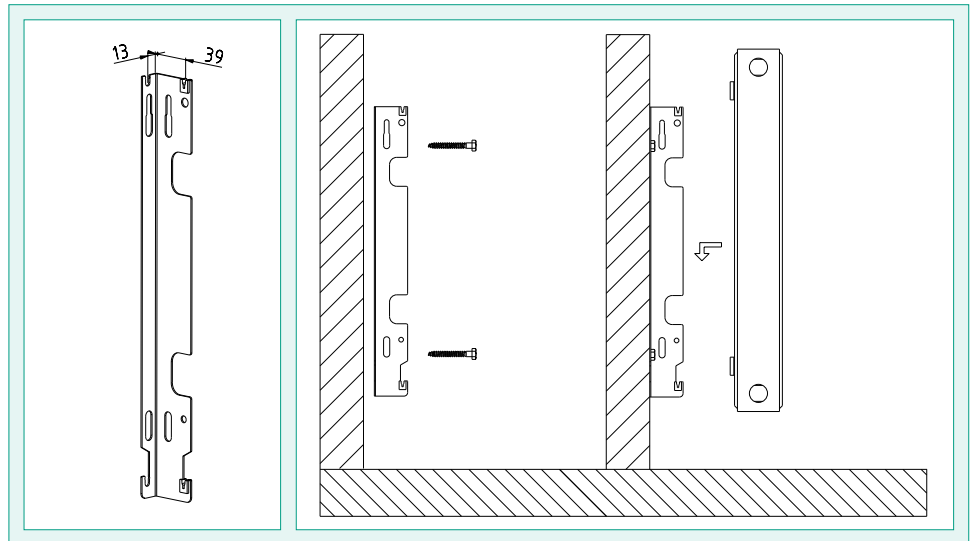
**Packed:** Each pair includes: 2 brackets, 4 plugs Ø8, 4 screws M6x45 and 4 plastic saddle.

**Usage:** Bracket L2 is designed for radiators with welded hangers on the rear side. Radiator is fixed on the bracket grooves. The height of the bracket L2 depends on the brand of the radiator.

**Note:** a+p - air vent and blind plug 1/2" are added.



## 033 - Bracket L3



CODE	TYPE	PACKING
1584	L3-300	60 pairs
1585	L3-400	60 pairs
1586	L3-500	60 pairs
1587	L3-600	60 pairs
1588	L3-600	60 pairs
1589	L3-800	60 pairs
1590	L3-900	60 pairs
1591	L3-300 p+č	50 pairs
1592	L3-400 p+č	50 pairs
1593	L3-500 p+č	50 pairs
1594	L3-600 p+č	50 pairs
1595	L3-600 p+č	50 pairs
1596	L3-800 p+č	50 pairs
1597	L3-900 p+č	50 pairs

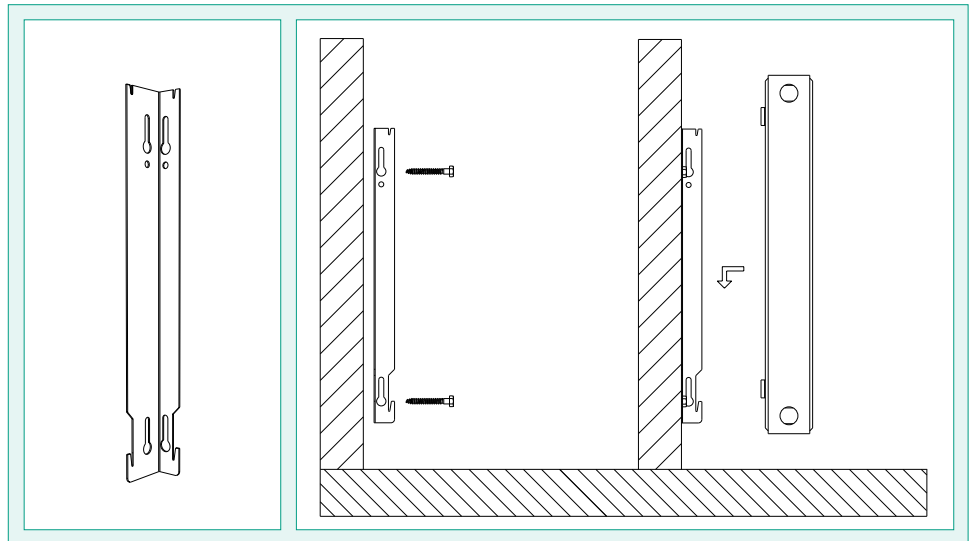
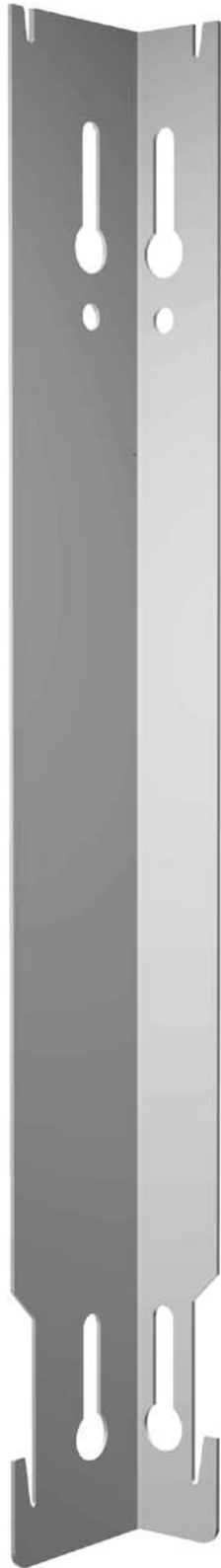
**Packed:** Each pair includes: 2 brackets, 4 plugs Ø8, 4 screws M6×45 and 4 plastic saddle.

**Usage:** Bracket L3 is designed for radiators with welded hangers on the rear side. Radiator is fixed on the bracket grooves. The height of the bracket L3 depends on the brand of the radiator.

**Note:** a+p - air vent and blind plug 1/2" are added.



## 034 - Bracket L4



CODE	TYPE	PACKING
1480	L4-300	60 pairs
1481	L4-400	60 pairs
1482	L4-500	60 pairs
1483	L4-600	60 pairs
1484	L4-600	60 pairs
1485	L4-800	60 pairs
1486	L4-900	60 pairs
1487	L4-300 p+č	50 pairs
1488	L4-400 p+č	50 pairs
1489	L4-500 p+č	50 pairs
1490	L4-600 p+č	50 pairs
1491	L4-600 p+č	50 pairs
1492	L4-800 p+č	50 pairs
1493	L4-900 p+č	50 pairs

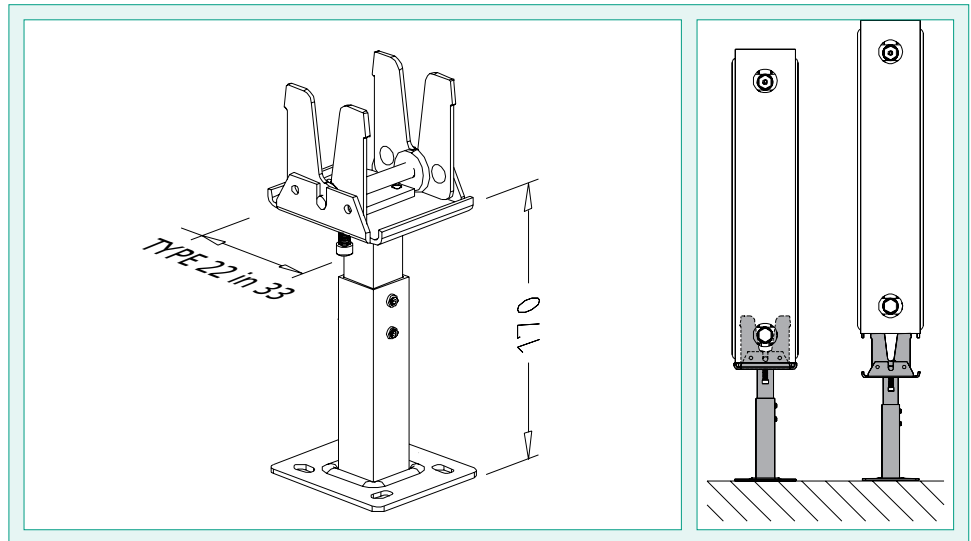
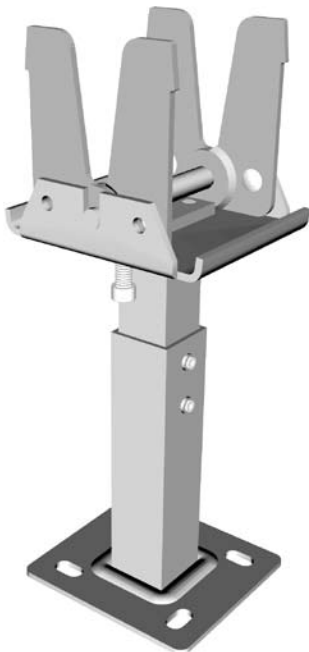
**Packed:** Each pair includes: 2 brackets, 4 plugs Ø8, 4 screws M6x45 and 4 plastic saddle.

**Usage:** Bracket L4 is designed for radiators with welded hangers on the rear side. Radiator is fixed on the bracket grooves. The height of the bracket L4 depends on the brand of the radiator.

**Note:** a+p - air vent and blind plug 1/2" are added.



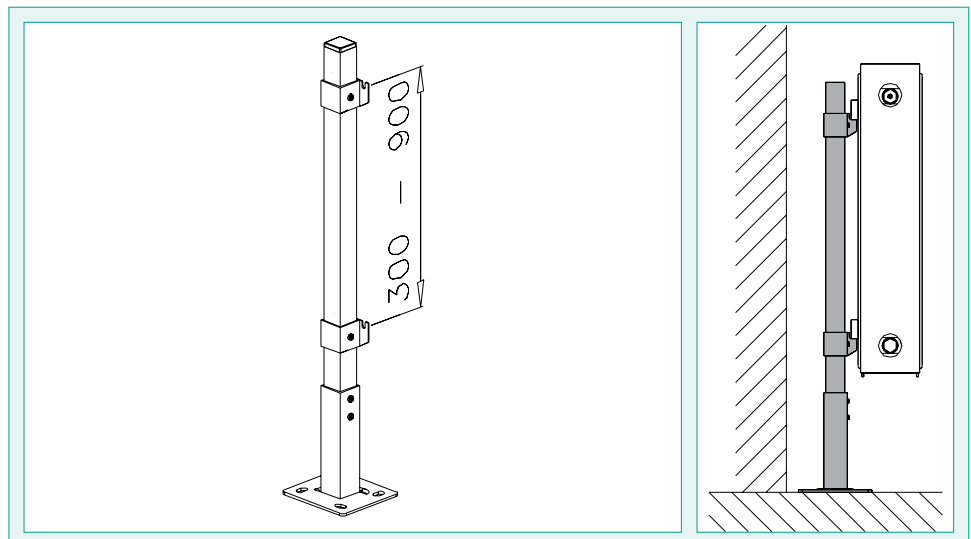
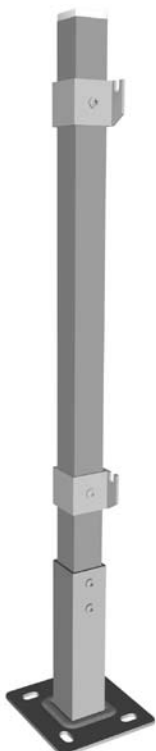
## 050 - Bracket T



CODE	TYPE	PACKING
1117	T-1 box	2 pcs
1118	T-2 box	2 pcs
1119	T-3 box	2 pcs
1120	T-1	16 pcs
1121	T-2	16 pcs
1122	T-3	16 pcs

- Packed:** 1 bracket, 2 plugs Ø10 and 2 screws M8×70.  
 T box: 2 brackets, 2 plastic rosettes, 2 plugs Ø10 and 2 screws M8×70 (in a small cardboard box).
- Usage:** Floor bracket T is designed for all radiators type 22 and 33.
- Note:** T-1: VOGEL&NOOT, RADSON, COPA, STARPAN, ELBA  
 T-2: KORADO, DUNAFERR, KORAD, KERMI, BUDERUS, IMAS, PURMO  
 T-3: RADEL, BAXI GROUP

## 051 - Bracket TH

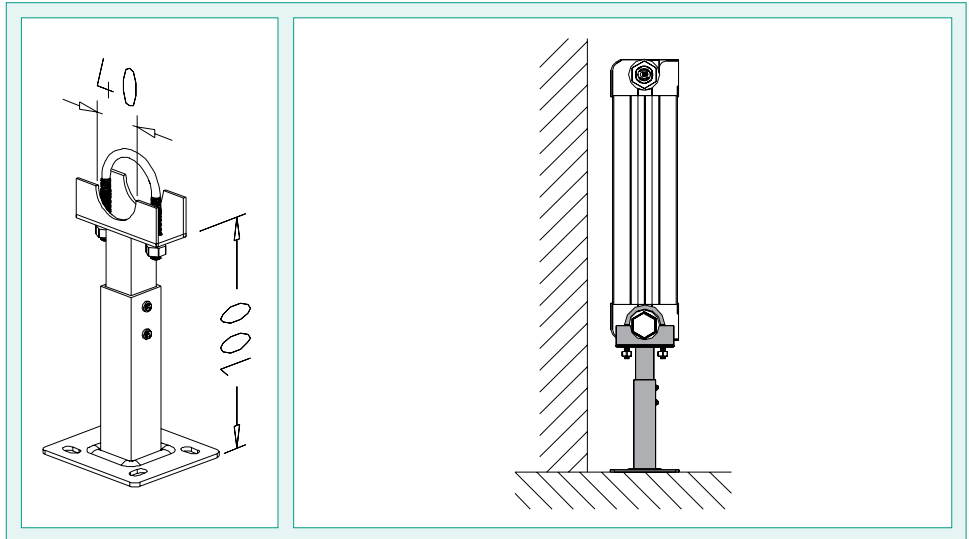
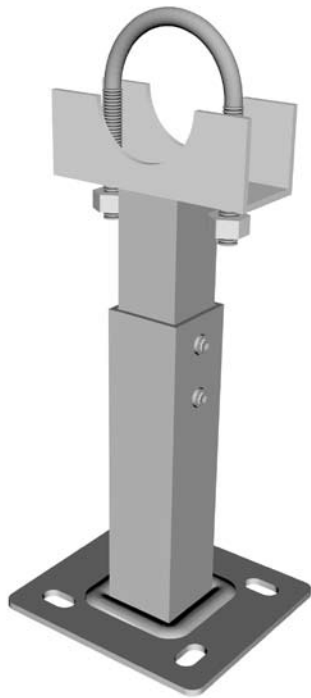


CODE	TYPE	PACKING
1123	TH-300	10 pcs
1124	TH-500	10 pcs
1125	TH-600	10 pcs
1126	TH-900	10 sets

- Packed:** 1 bracket, 2 plugs Ø10 and 2 screws M8×70.
- Usage:** Floor bracket TH is designed for all types and brands of radiators which have welded hangers on the rear side.



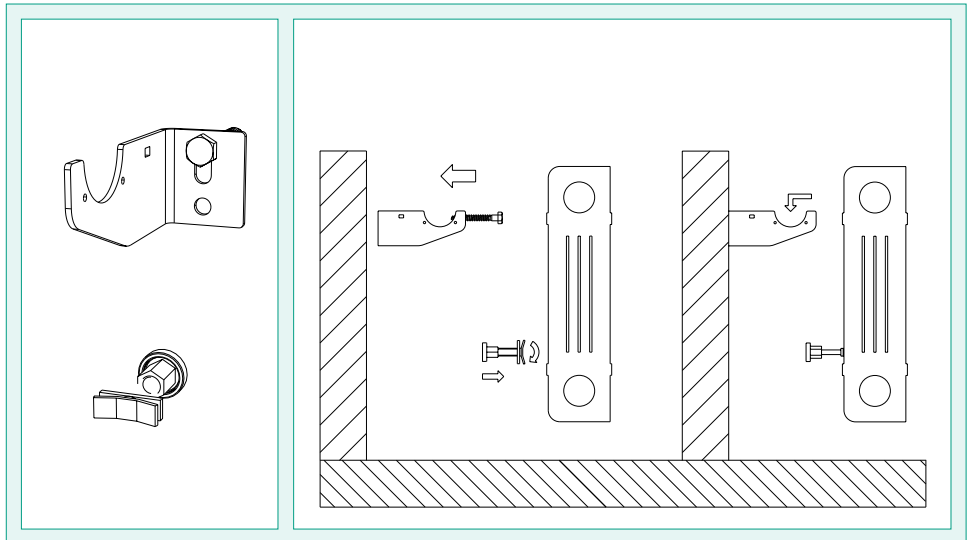
**100 - Bracket TG**



CODE	TYPE	PACKING
1750	TG	2 pcs

**Packed:** Packed: 1 bracket, 2 plugs Ø10 and 2 screws M8×70.  
**Box:** 2 brackets, 2 plastic rosettes, 2 plugs Ø10 and 2 screws M8×70 (in a small cardboard box).  
**Usage:** Floor bracket TG is designed for fixing aluminium radiators, when fixing on the wall is not possible.

**101 - Bracket AKL**

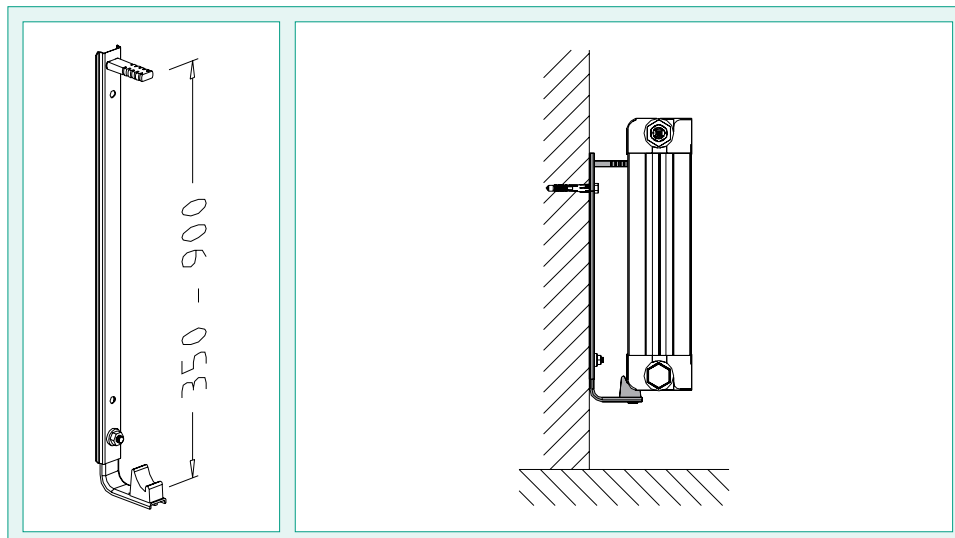
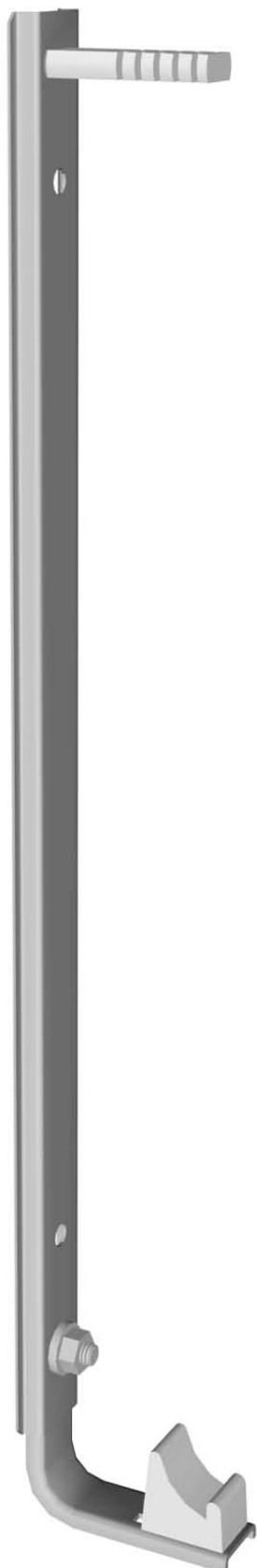


CODE	TYPE	PACKING
2005	AKL-1	50 sets
2006	AKL-2	50 sets
2007	AKL-3 set 1	50 sets
2008	AKL-3 set 2	50 sets
2009	AKL-4 set 1	50 sets
2010	AKL-4 set 2	50 sets

**Packed:** AKL-1 - 2 brackets, 2 plugs Ø10 + screw M8×60 and 2 spacers.  
 AKL-2 - 4 brackets, 4 plugs Ø10 + screw M8×60.  
**Usage:** Bracket AKL is designed for all types of aluminium radiators. The bracket holds the upper head of the radiator. The plastic spacer can replace the metal part at the bottom of the radiator.  
**Opomba:** Bracket seat varies depending on the brand of the radiator.



## 102 - Bracket E



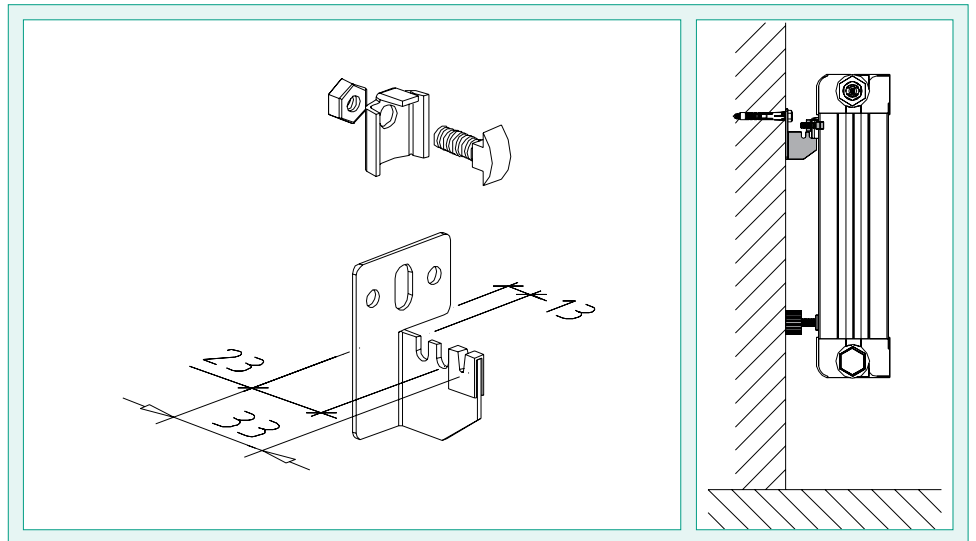
CODE	TYPE	PACKING
1040	E-350	30 pairs
1041	E-500	30 pairs
1042	E-650	30 pairs
1043	E-900*	25 pairs

**Packed:** 2 brackets, 4 plugs Ø10 and 4 screws M6×70.  
\* additional set includes: 2 plugs Ø10 and 2 screws M6×70.

**Usage:** Bracket E is designed for Aklimat radiators. The bracket holds the lower edge of the radiator. The upper part of the radiator is fastened with a spacer.



## 105 - Bracket A-aklimat

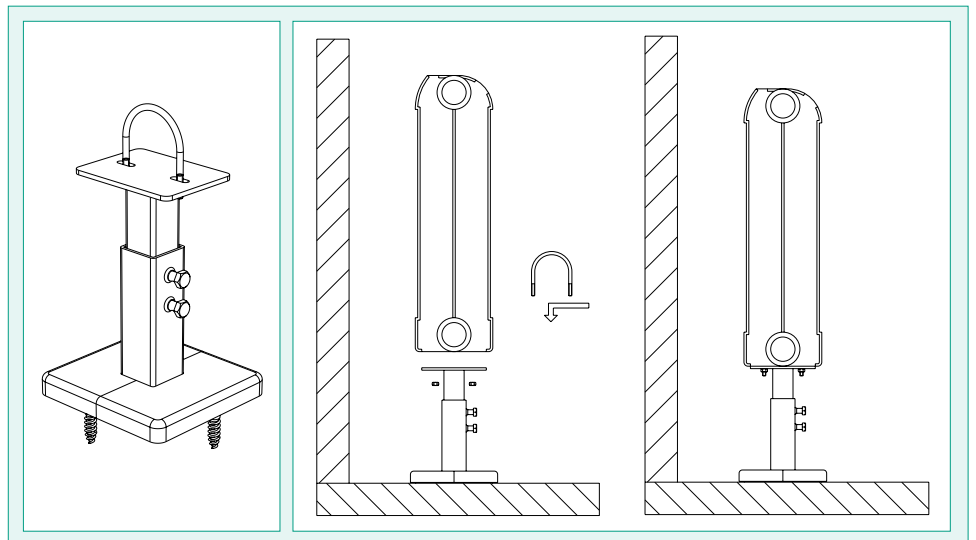
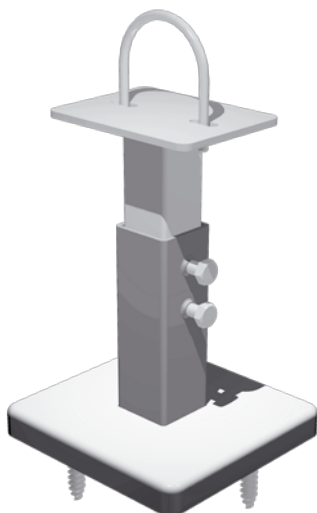


CODE	TYPE	PACKING
2000	A1	50 sets
2003	A3	100 sets

**Packed:** A1 - 2 brackets, 2 holders and fixing accessories.  
A3 - 1 bracket, 1 holder and fixing accessories.

**Usage:** Bracket A is universal for all types of aluminium radiators. The radiator leans on a bracket with a holder fixed on radiator. The plastic spacer can replace the metal part at the bottom of the radiator.

## 106 - Bracket DM-aklimat



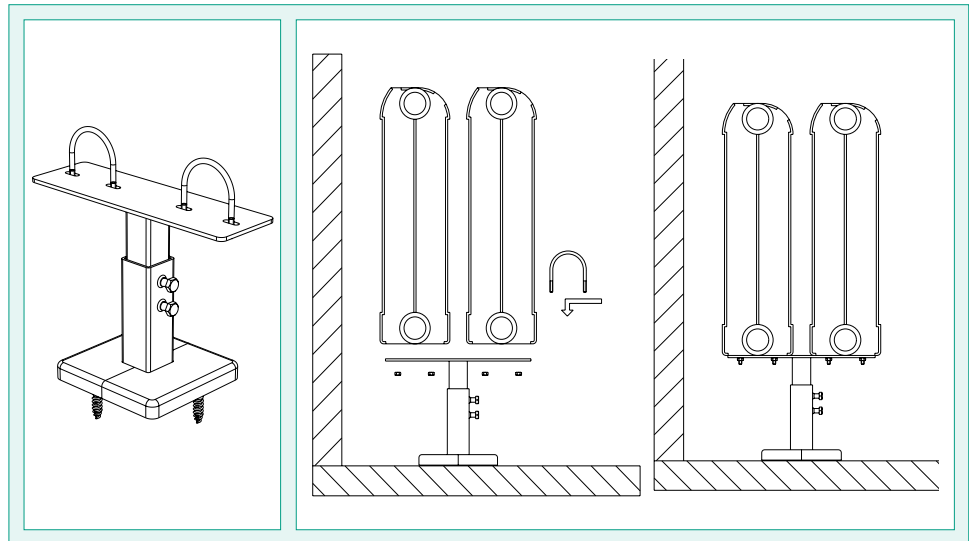
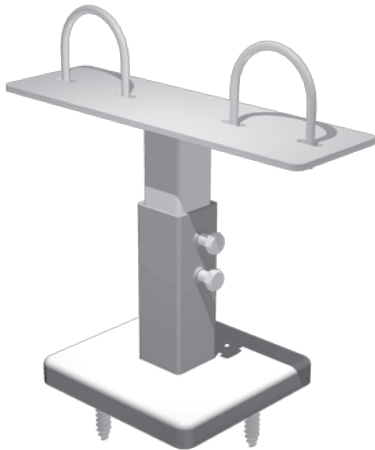
CODE	TYPE	PACKING
1170	DM aklimat	20 pcs

**Packed:** 1 bracket, 1 plastic rosette, 2 plugs Ø10 and 2 screws M8×70.1 bracket, 1 plastic rosette, 2 plugs Ø10 and 2 screws M8×70.

**Usage:** Floor bracket DM is designed for fixing Aklimat Series M radiators and other aluminium radiators. The radiator is fitted on a bracket with a U-screw, which embraces the lower head of the radiator.



**107 - Bracket DM-aklimat double**

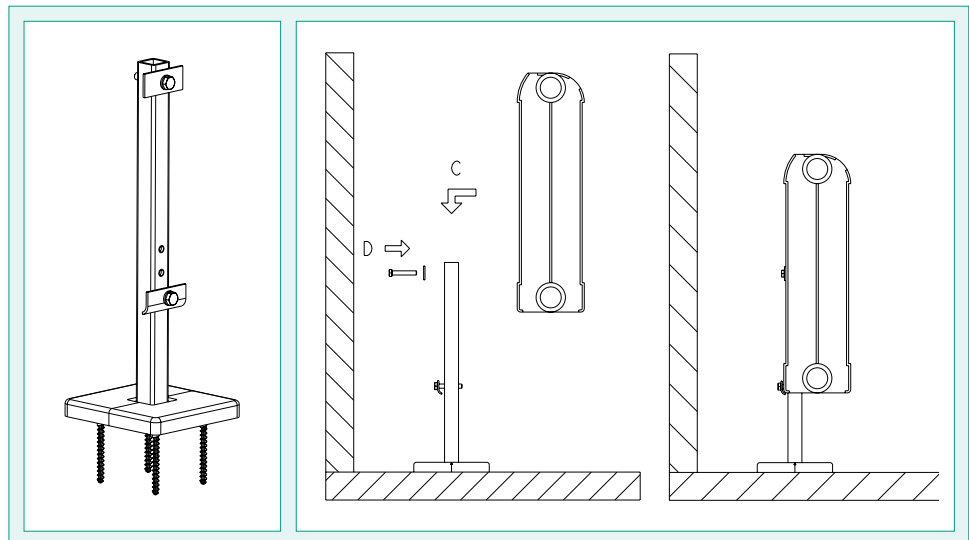
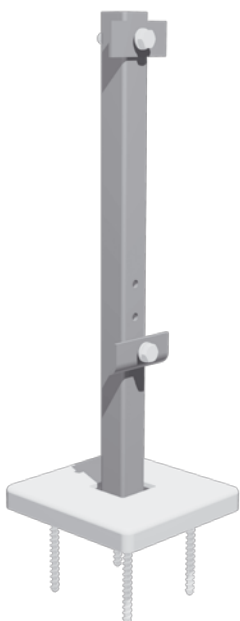


CODE	TYPE	PACKING
1171	DM dvoredna aklimat	10 pcs

**Packed:** 1 bracket, 1 plastic rosette, 2 plugs Ø10 and 2 screws M8x70.

**Usage:** Floor bracket DM-aklimat is designed for Aklimat Series M radiators. It is suitable for fixing of two parallel M Series radiators, The radiators are fitted on a bracket with a U-screw, which embraces the lower head of the radiator.

**108 - Bracket DVM-aklimat**



CODE	TYPE	PACKING
1175	DVM	10 pcs
1175	DVM1	10 pcs

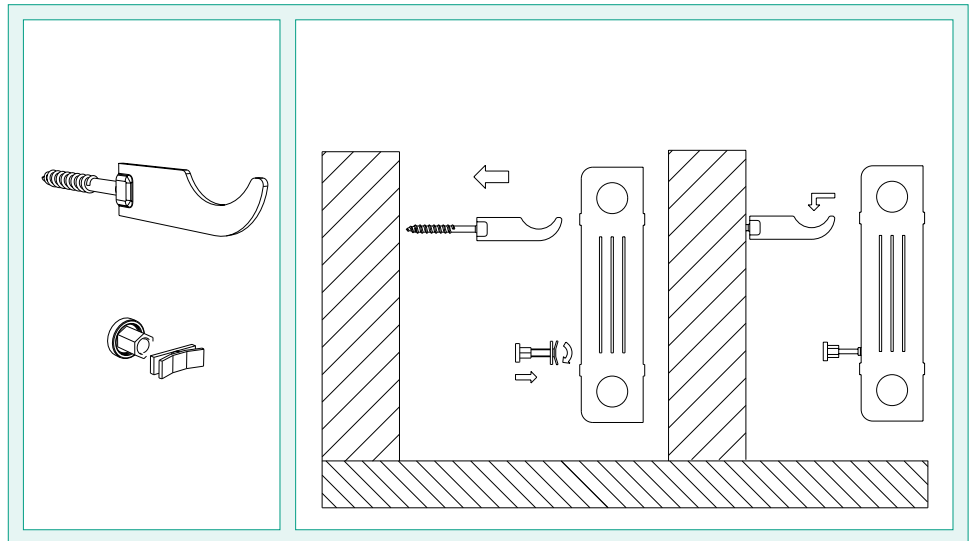
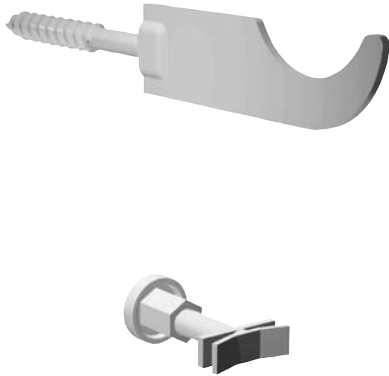
**Packed:** DVM - 1 bracket 500-900, 4 plugs Ø10 + 4 screws 8x60 and 1 rosette.  
DVM1 - 1 bracket 300-500, 4 plugs Ø10 + screw 8x60 and 1 rosette.

**Usage:** Floor bracket DVM-aklimat is designed for Aklimat Series M radiators. The bracket is inserted between the radiator convectors and fitted with special washers and screws. The radiator can also be installed on three or four brackets, depending on its length.





## 109 - Bracket AKP



CODE	TYPE	PACKING
2011	AKP-1	50 sets
2012	AKP-2	50 sets

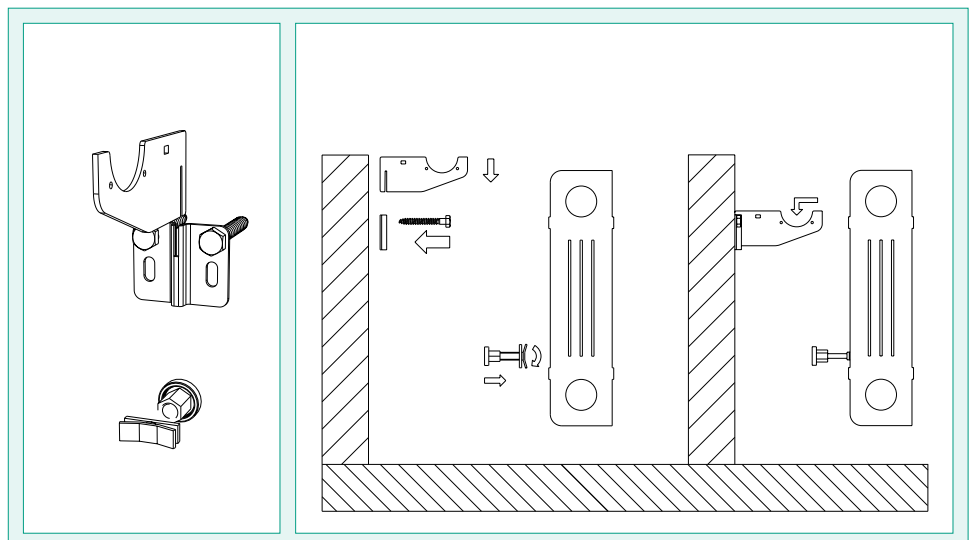
**Packed:** AKP-1 - 2 brackets, 2 plugs Ø10, 2 screws and 2 spacers.

AKP-2 - 4 brackets and 4 plugs Ø10, 4 screws.

**Usage:** Bracket AKP is designed for all types of aluminium radiators. The bracket holds the upper head of the radiator. The plastic spacer can replace the metal part at the bottom of the radiator. The radiator can also be installed on three or four brackets without a spacer.

**Note:** Bracket seat varies depending on the brand of the radiator.

## 110 - Bracket AKM



CODE	TYPE	PACKING
2013	AKM-1	50 sets
2014	AKM-2	50 sets

**Packed:** AKM-1 - 2 brackets, 4 plugs + 4 screws and 2 spacers.

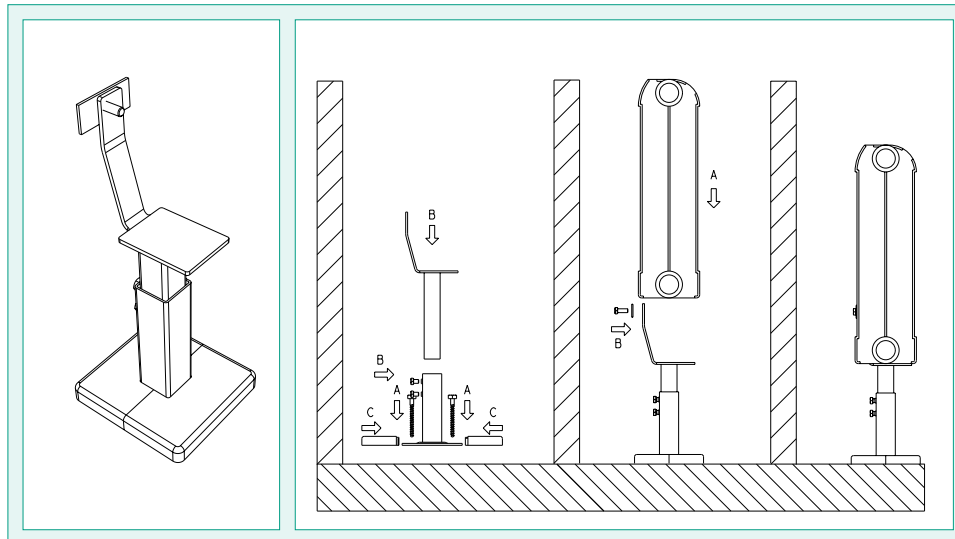
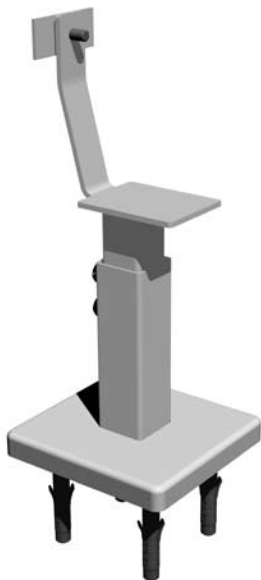
AKM-2 - 4 brackets, 8 plugs + screw.

**Usage:** Bracket AKM is designed for all types of aluminium radiators. The bracket holds the upper head of the radiator. The plastic spacer can replace the metal part at the bottom of the radiator. The radiator can also be installed on three or four brackets without a spacer.

**Note:** Bracket seat varies depending on the brand of the radiator.



## 111 - Bracket TD



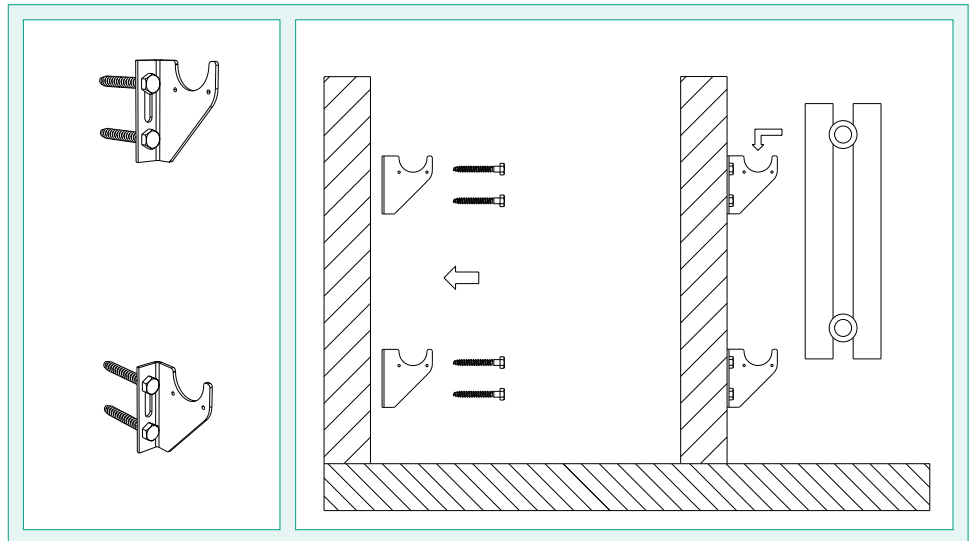
CODE	TYPE	PACKING
1172	TD	20 sets
1173	TD double	20 sets

**Packed:** 1 bracket, 2 screws and 2 plugs.

**Usage:** Floor bracket TD is designed for Aklimat radiators. The bracket must be fixed at or below the finished pavement.



## 200 - Bracket S35 / 201 Bracket D35



CODE	TYPE	PACKING
1613	S70 kit 2	1 sets
1614	S70 kit 1	1 sets
1615	S35 kit 2	1 sets
1616	S35 kit 1	1 sets

**Packed:** S35/S70 kit 2 - 2 brackets, 2 plugs Ø10 + 2 screws M8×60 and 2 spacers.  
S35/S70 kit 1 - 4 brackets, 4 plugs Ø10 + 4 screws M8×60.

**Usage:** Bracket S35/S70 is designed for tubular and design radiators. The bracket holds the upper head of the radiator. The plastic spacer can replace the metal part at the bottom of the radiator. The radiator can also be installed on three or four brackets without a spacer.

**Note:** Bracket seat varies depending on the brand of the radiator. When using the bracket S35/S70 the centre of the radiator is 40 mm away from the wall. Packing with added air vent and blind plug 1/2" is possible.



CODE	TYPE	PACKING
1611	D35 kit 2	1 sets
1612	D35 kit 1	1 sets

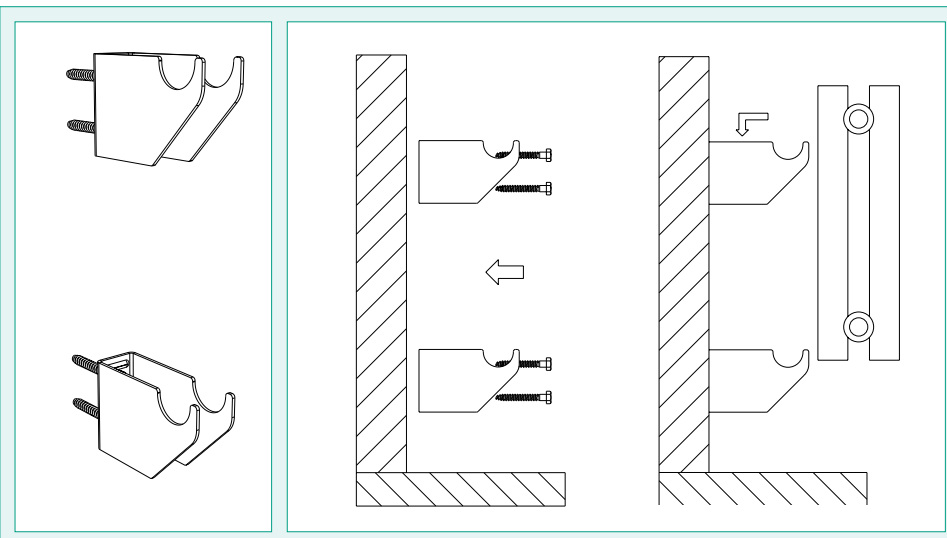
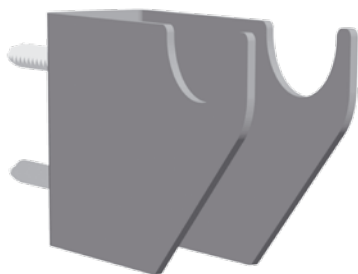
**Packed:** D35 kit 2 - 2 brackets, 2 plugs Ø10 + 2 screws M8×60 and 2 spacers.  
D35 kit 1 - 4 brackets, 4 plugs Ø10 + 4 screws M8×60.

**Usage:** Bracket D35 is designed for tubular and design radiators. The bracket holds the upper head of the radiator. The plastic spacer can replace the metal part at the bottom of the radiator. The radiator can also be installed on three or four brackets without a spacer.

**Note:** Bracket seat varies depending on the brand of the radiator. When using the bracket D35 the centre of the radiator is 60 mm away from the wall. Packing with added air vent and blind plug 1/2" is possible.



## 202 - Bracket D70

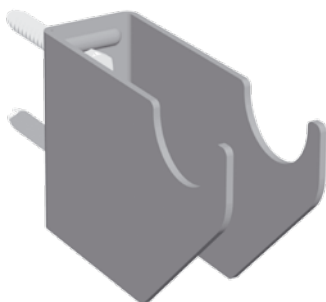


CODE	TYPE	PACKING
1617	D70 kit 1	20 pcs
1618	D70 kit 2	20 pcs

**Packed:** D70 kit 1 - 2 brackets, 2 plugs Ø10 +2 screws M8x60 and 1 air vent and blind plug ½" (packed in a cardboard box).  
 D70 kit 2 - 4 brackets, 2 plugs Ø10 + 2screws M8x60 (packed in a cardboard box).

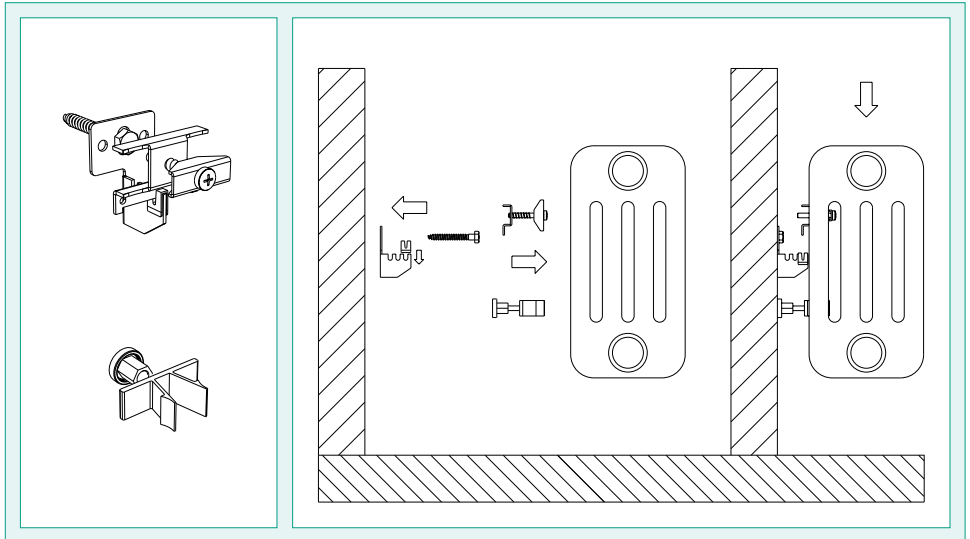
**Usage:** Bracket D70 is designed for tubular and design radiators. The bracket holds the upper head of the radiator.

**Opomba:** Bracket seat varies depending on the brand of the radiator.





210 - Bracket TUB



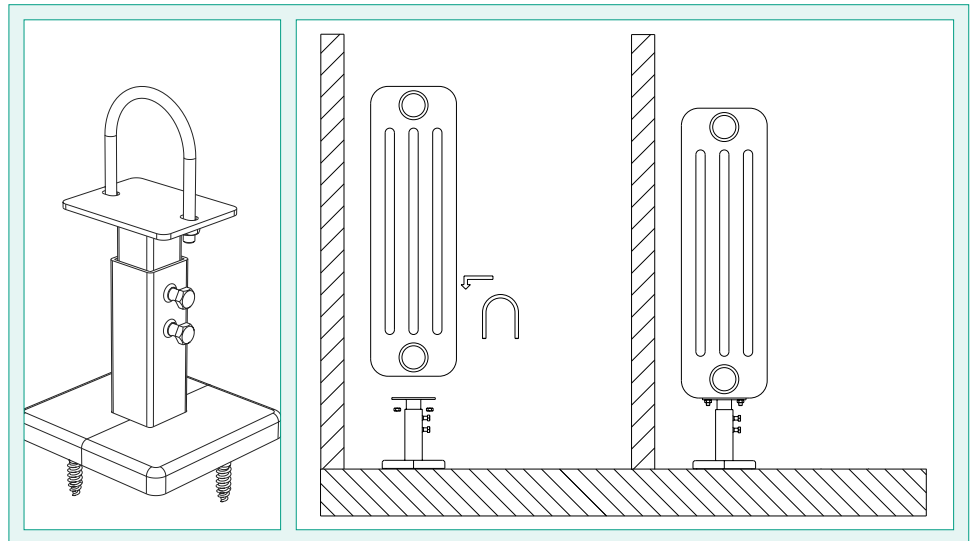
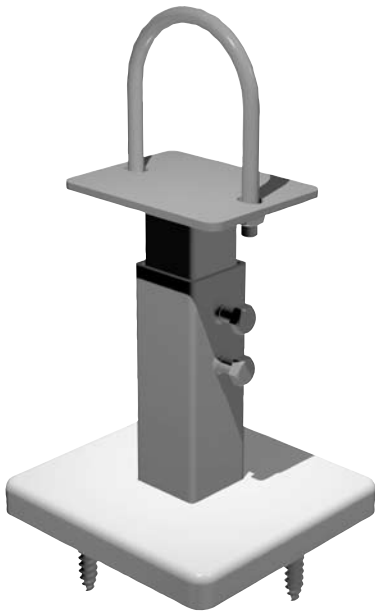
CODE	TYPE	PACKING
1400	TUB-1	1 sets
1401	TUB-2	1 sets
1402	TUB-3	1 sets
1403	TUB-4	1 sets

- Packed:**
- TUB-1** - 2 metal parts D1, 2 tubular metal parts, 2 plastic spacers, screws and plugs (packed in a small cardboard box).
  - TUB-2** - 3 metal parts D1, 3 tubular metal parts, screws and plugs (packed in a small cardboard box).
  - TUB-3** - 4 metal parts D1, 4 tubular metal parts, screws and plugs (packed in a small cardboard box).
  - TUB-4** - 6 metal parts D1, 4 tubular metal parts, screws and plugs (packed in a small cardboard box).

**Usage:** Bracket TUB is designed for tubular - column radiators. The metal part D1 is fixed to the wall and the metal part of the tubular radiator is fitted on it. This part is inserted between the tubes of the radiator. The plastic spacer can replace the metal part at the bottom of the radiator. This depends on the height and the length of the radiator.



## 220 - Bracket TT



CODE	TYPE	PACKING
1422	TT	2 pcs

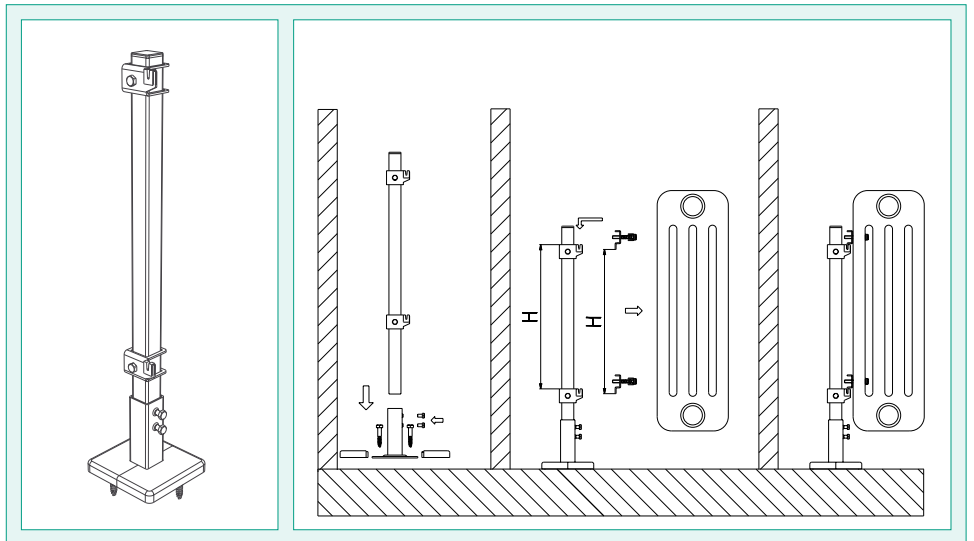
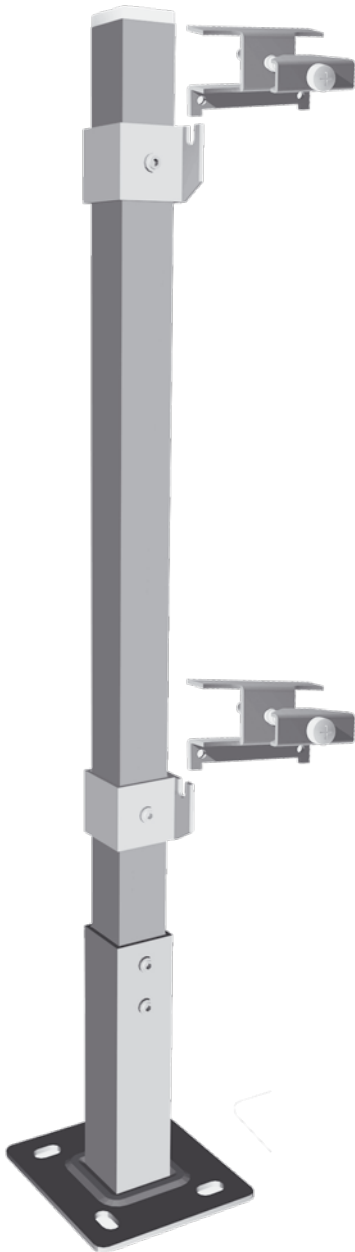
**Packed:** 1 bracket, 2 plugs Ø10 and 2 screws M8×70.

**Box:** 2 brackets, 2 plastic rosettes, 2 plugs Ø10 and 2 screws M8×70 (packed in a small cardboard box).

**Usage:** Floor bracket TT is designed for all types (widths) of tubular radiators. The radiator is fitted on a bracket with a U-screw.



## 221 - Bracket TC



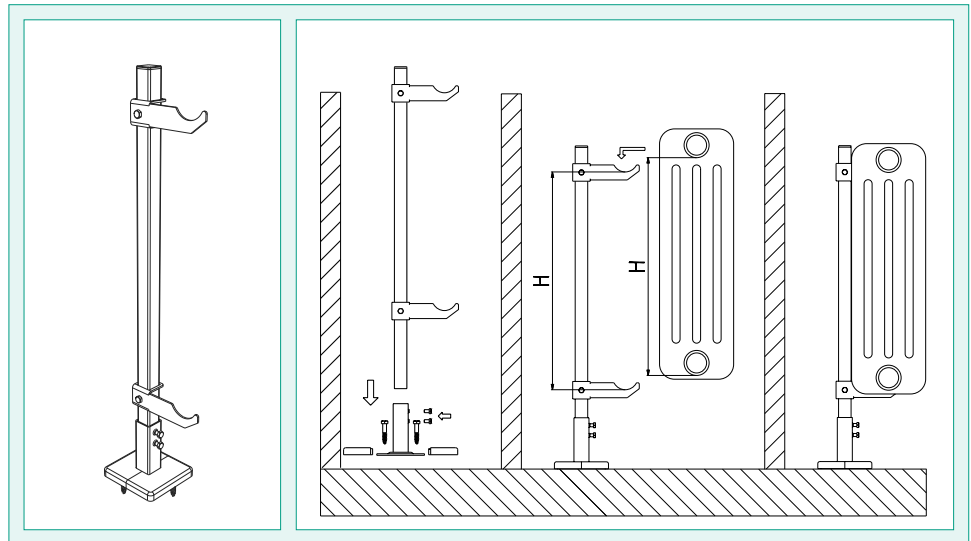
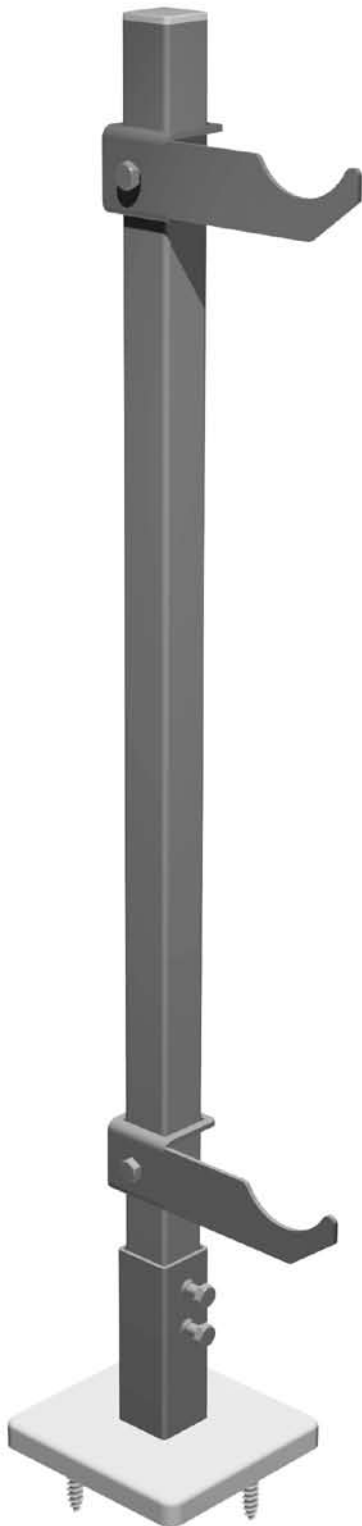
CODE	TYPE	PACKING
1423	TC-300	2 pcs
1424	TC-400	2 pcs
1425	TC-500	2 pcs
1426	TC-600	2 pcs
1427	TC-800	2 pcs
1428	TC-900	2 pcs

**Packed:** 1 bracket, 2 plugs Ø10, 2 screws M8x70 and 2 TUB holders (packed in PVC foil).

**Usage:** Floor bracket TC is designed for tubular radiators. Holders on brackets are the same for radiators of all widths and heights.



## 222 - Bracket TB



CODE	TYPE	PACKING
1410	TB1 - 400	2 pcs
1411	TB1 - 500	2 pcs
1412	TB1 - 600	2 pcs
1413	TB1 - 900	2 pcs
1414	TB2 - 400	2 pcs
1415	TB2 - 500	2 pcs
1416	TB2 - 600	2 pcs
1417	TB2 - 900	2 pcs
1418	TB3 - 400	2 pcs
1419	TB3 - 500	2 pcs
1420	TB3 - 600	2 pcs
1421	TB3 - 900	2 pcs

**Packed:** 1 bracket, 2 plugs Ø10 and 2 screws M8×60.

**Box:** 2 brackets, 2 plastic rosettes, 2 plugs Ø10 and 2 screws M8×60 (packed in a cardboard box).

**Usage:** Floor bracket TB is designed for tubular radiators. Bracket holders can be optionally set according to the height of the radiator. Bracket holders differ depending on the width of radiator.

TB1 is used for two-column radiators.

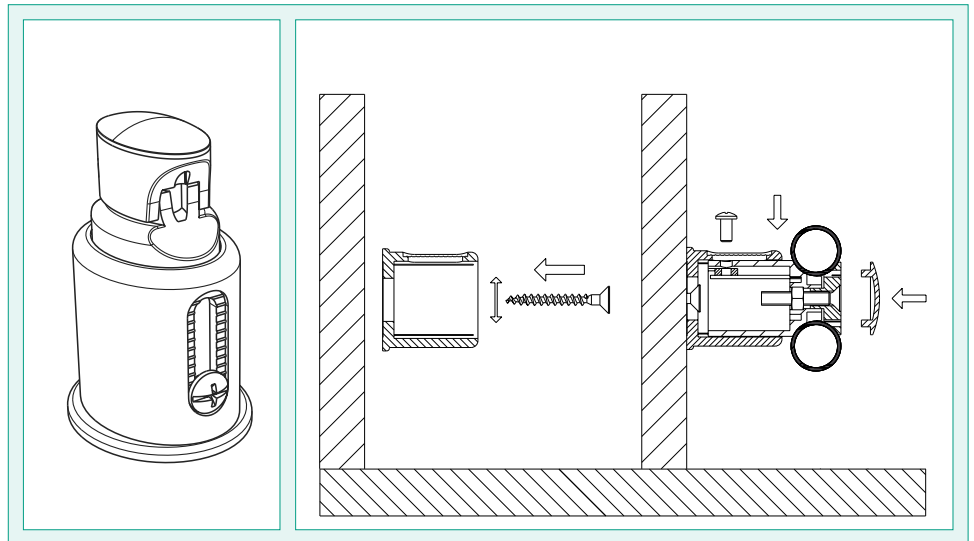
TB2 is used for three-column radiators.

TB3 is used for four-column radiators.





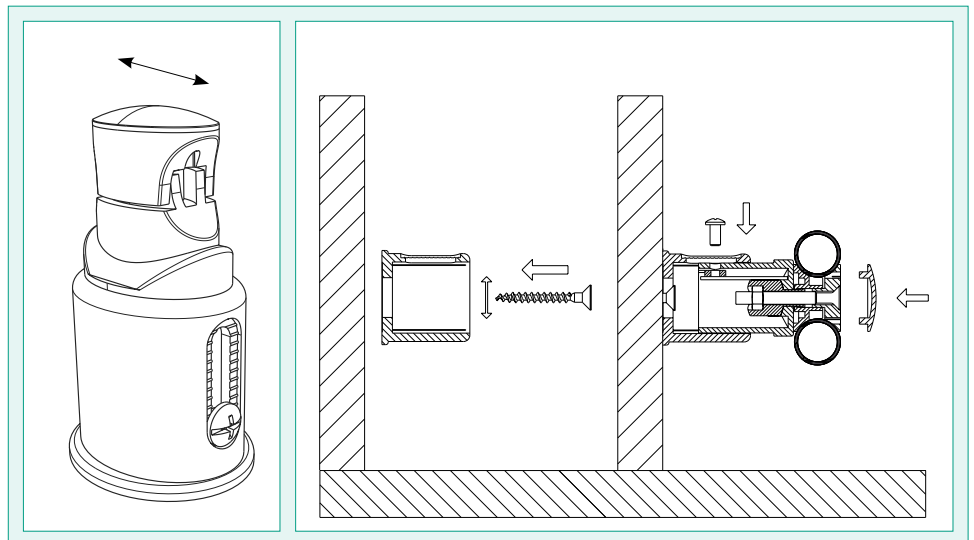
251 - Bracket O1



CODE	TYPE	PACKING
1850	O1	1 sets

- Packed:** 4 plastic brackets, 4 plugs and 4 screws (packed in a small cardboard box).
- Usage:** Bracket O1 is designed for flat bathroom radiators. Its fixed head is fixed between the pipes of the radiator (dimension 20 - 22 Ø).
- Note:** Packing with air vent and blind plug 1/2" is possible.

252 - Bracket O2

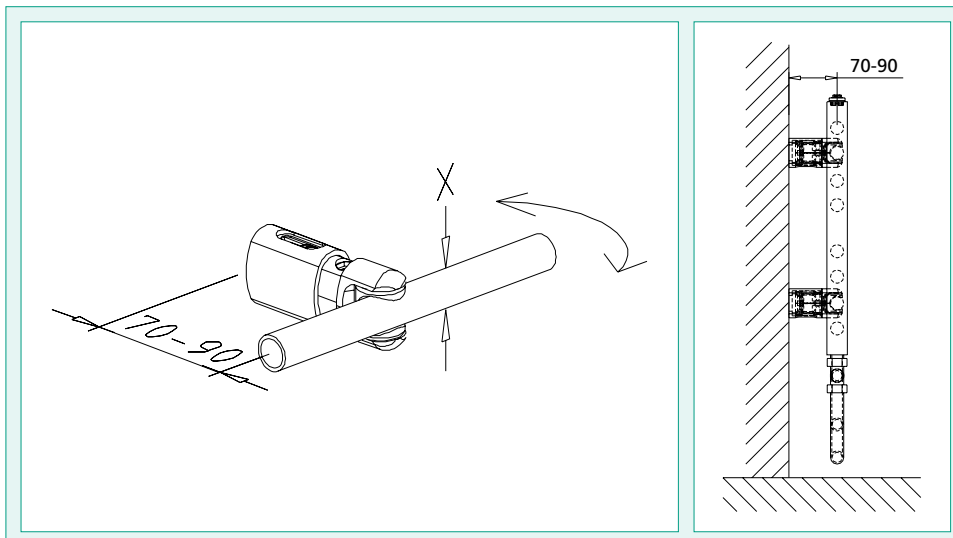
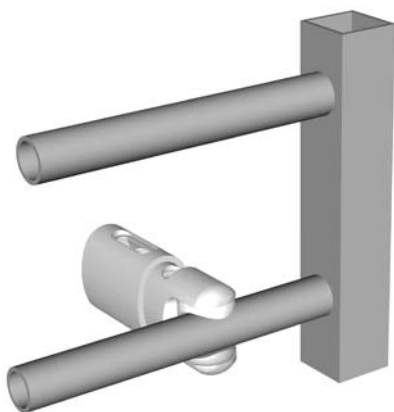


CODE	TYPE	PACKING
1851	O2	1 sets

- Packed:** 4 plastic brackets, 4 plugs and 4 screws (packed in a small cardboard box).
- Usage:** Bracket O2 is universal for all types of bathroom radiators. It is suitable for fixing of flat and round radiators. Its flexible head is fixed between the pipes of the radiator (dimension 20 - 22 Ø).
- Note:** Packing with air vent and blind plug 1/2" is possible.



## 253 - Bracket O3



CODE	TYPE	PACKING
1852	O3	1 sets

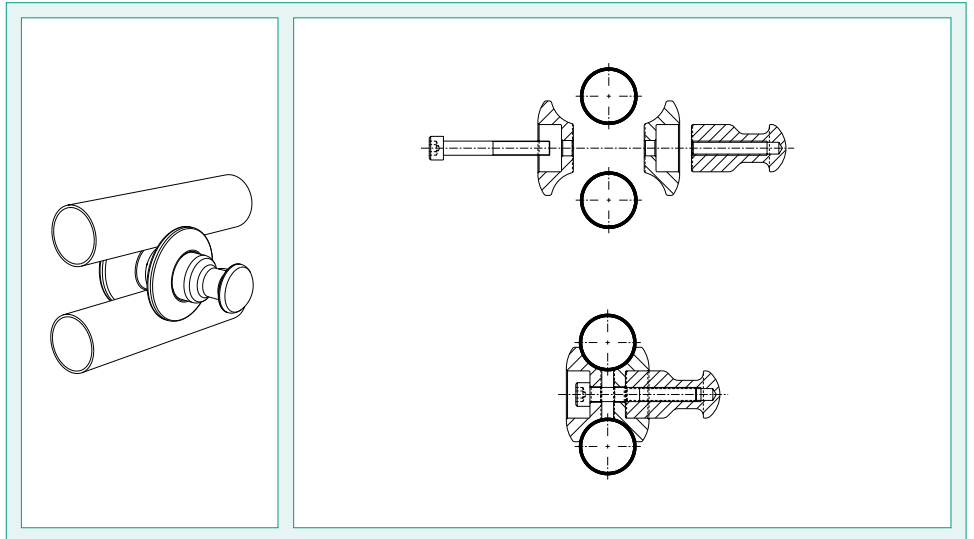
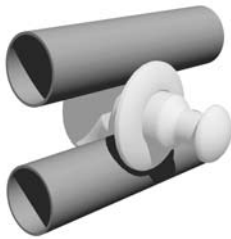
**Packed:** 4 plastic brackets, 4 plugs and 4 screws (packed in foil).

**Usage:** Bracket O3 is designed for flat and round bathroom radiators. It has fixed head and rotated inserts, which embrace the radiator's pipe (dimension 20 – 22 Ø).

**Note:** Packing with air vent and blind plug ½" is possible.



461 - Towel holder NB 1

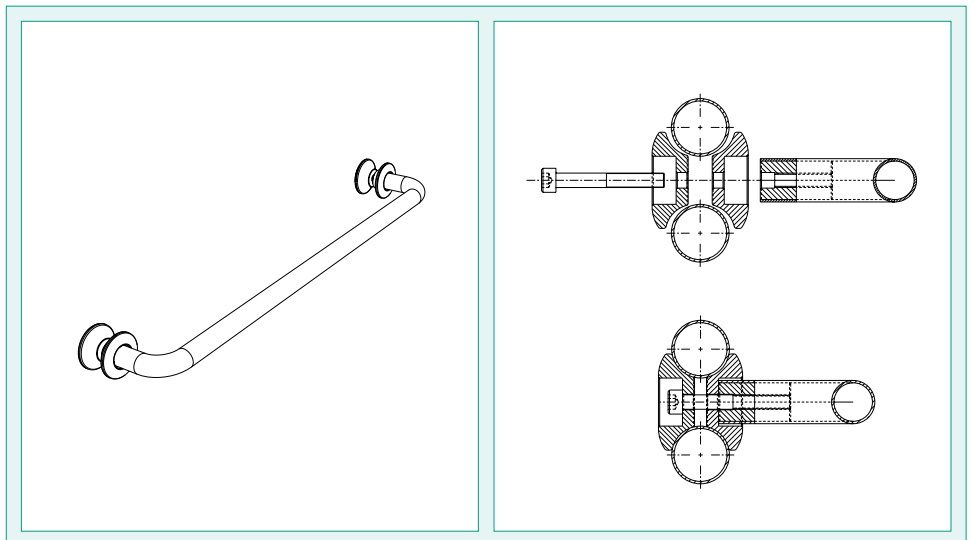


CODE	TYPE	PACKING
1860	NB 1	1 pcs

**Packed:** 1 towel holder (packed in a small cardboard box).

**Usage:** Towel holder is fitted between the bathroom radiator pipes. It can be used on all pipe radiators.

462 - Towel holder NB 2



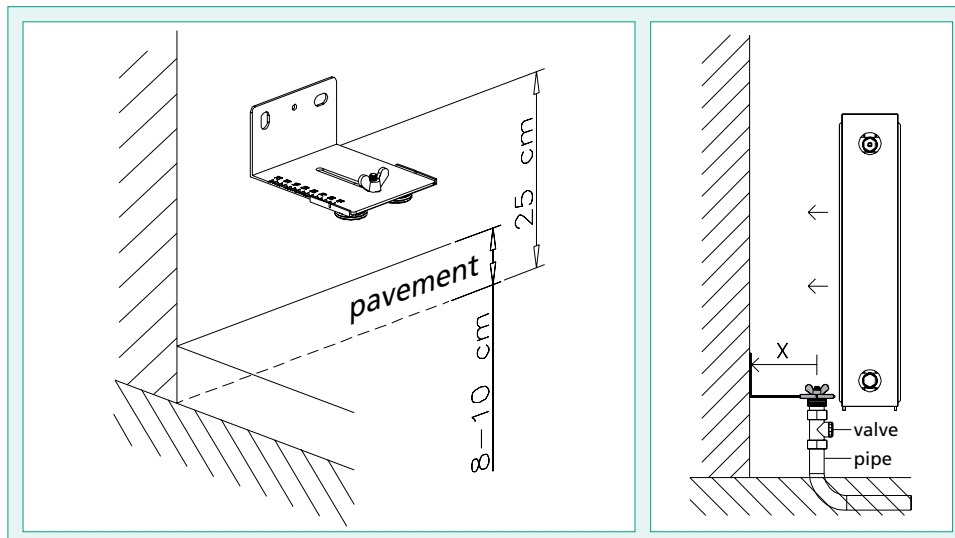
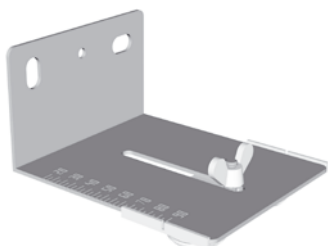
CODE	TYPE	PACKING
1861	NB 2	1 pcs

**Packed:** 1 towel holder (packed in a small cardboard box).

**Usage:** Towel holder is fitted between the bathroom radiator pipes. It can be used on all pipe radiators.



400 - R template

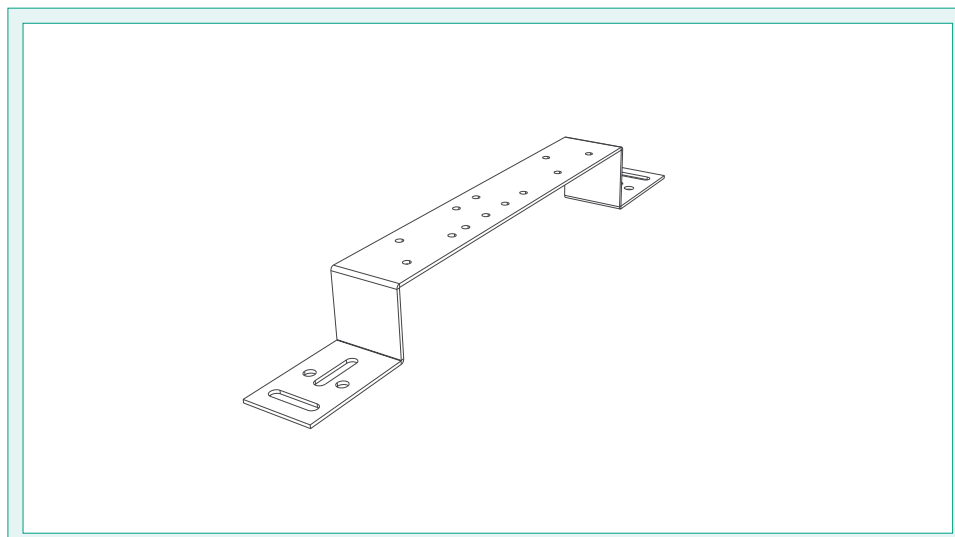
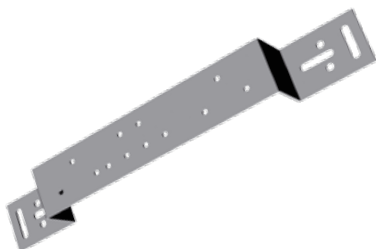


CODE	TYPE	PACKING
1300	plastic R-template	40 pcs
1301	metal R-template	40 pcs

**Packed:** Templates are packed in cardboard boxes.

**Usage:** R-template is designed to install the valve and pipes before fixing the radiator. It enables setting the distance from the valve to the wall (X), depending on the brand of the radiator and the bracket used.

401 - Fastening plate M



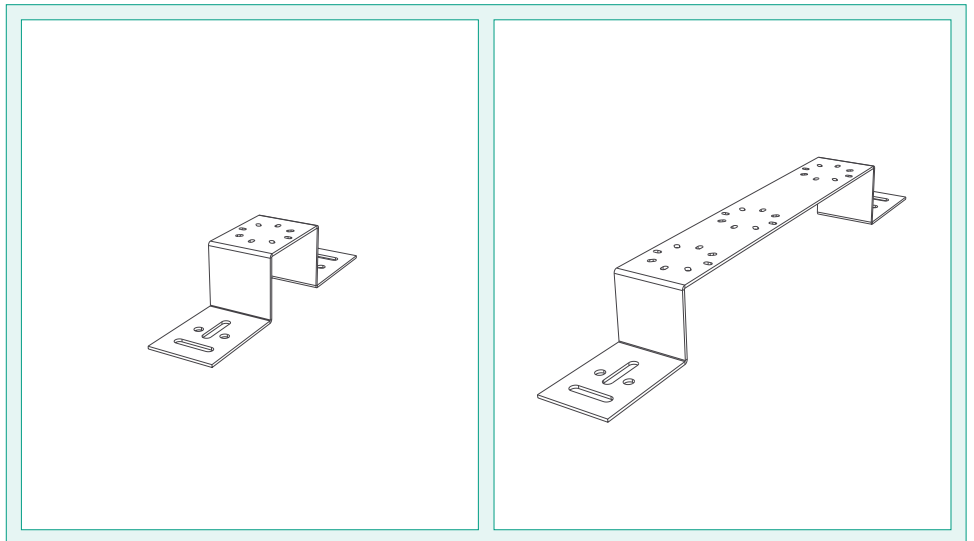
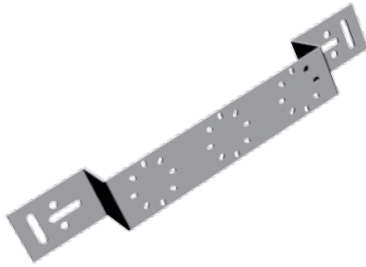
CODE	TYPE	PACKING
1073	Fastening plate M	50 pcs

**Packed:** 1 fastening plate and 6 screws (packed in foil).

**Usage:** Fastening plate is used to fix the framing square (battery connectors) at aluplast pipes partition.



402 - Wavin fastening plate

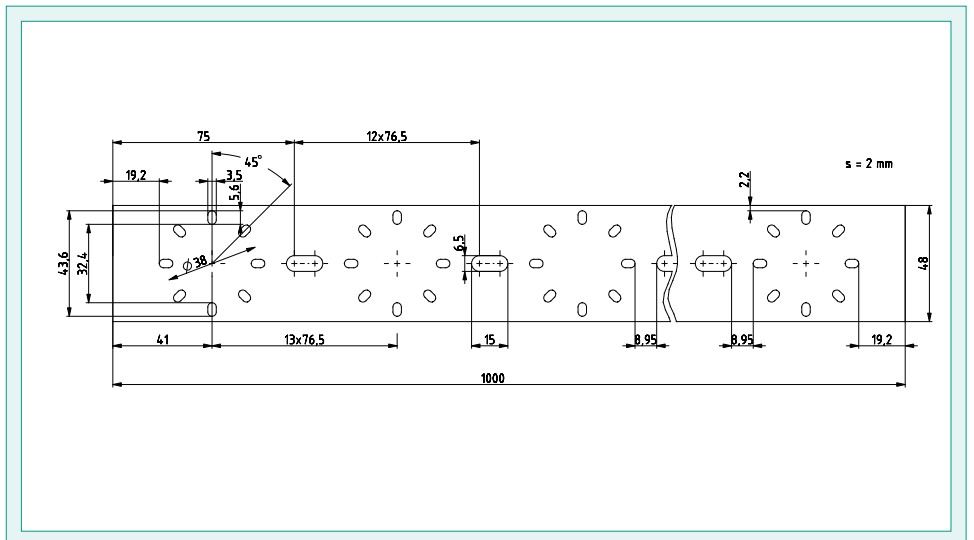


CODE	TYPE	PACKING
1070	Wavin single	50 pcs
1071	Wavin 76x153	50 pcs
1072	Wavin 100x200	50 pcs

**Packed:** 1 fastening plate and 6 screws (packed in foil).

**Usage:** Fastening plate is used to fix the framing square (battery connectors) at aluplast pipes partition.

405 - Wavin fastening plate flat



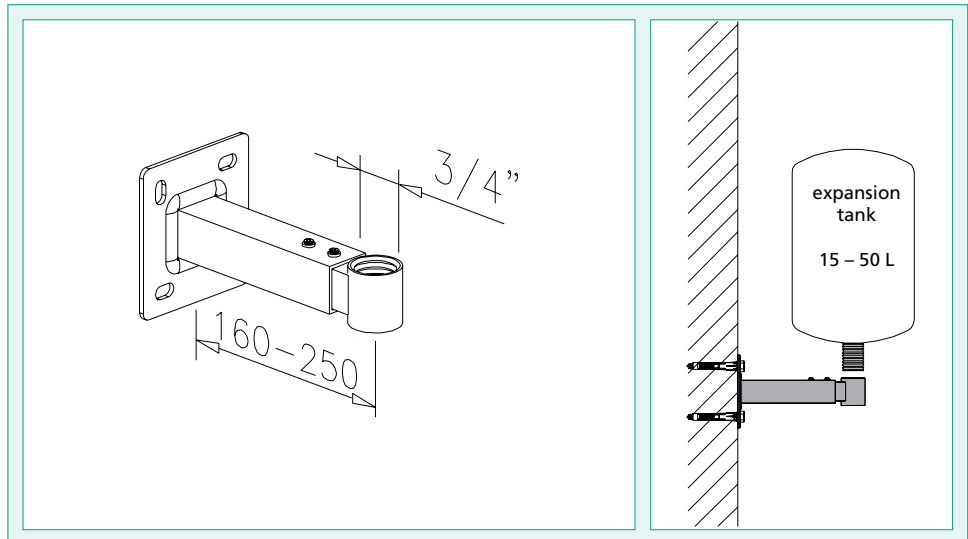
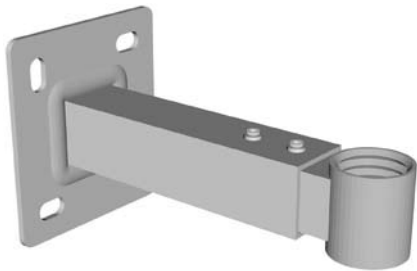
CODE	TYPE	PACKING
1302	Wavin E1 76x152	1 pcs
1303	Wavin E2 100x200	1 pcs

**Packed:** one 1 m long plate.

**Usage:** Fastening plate is used to fasten the framing square (battery connectors) at aluplast pipes partition.



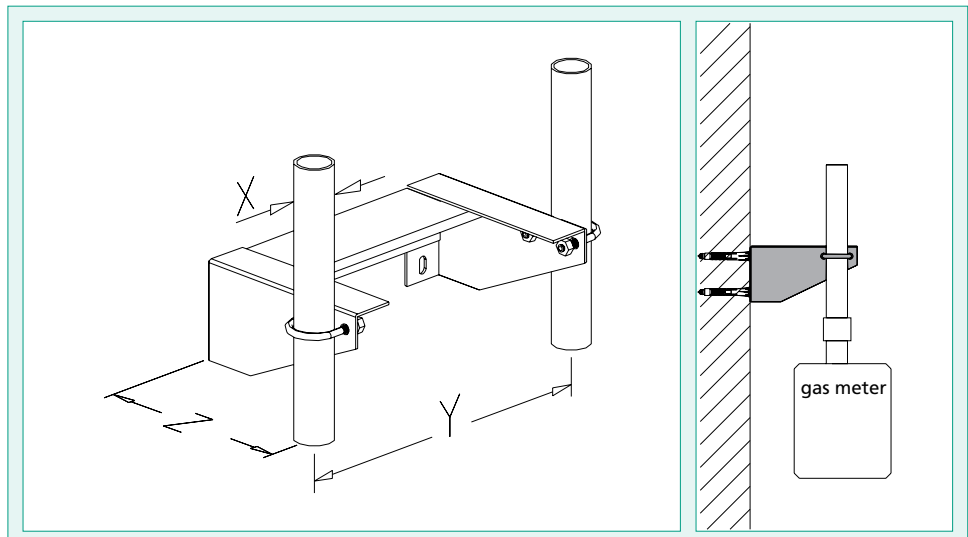
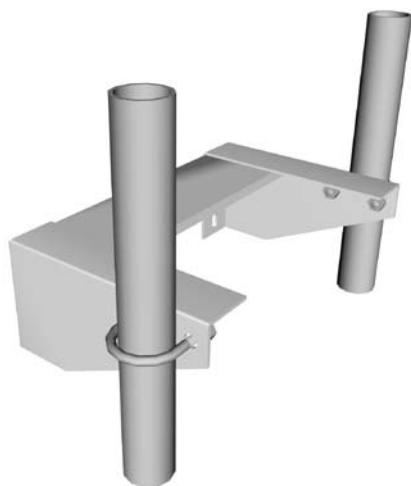
406 - Bracket for expansion tank



CODE	TYPE	PACKING
7600	Bracket for expansion tank 3/4"	20 pcs
7610	Bracket for expansion tank 1"	20 pcs

**Usage:** Bracket is designed for expansion tanks 15-50 l, which are mounted on the wall. It is composed of two parts. The bearing part is fixed on a wall. The other part is used to set the connection for expansion tank or pipe. The bracket is powder varnished – RAL 9016.

430 - Bracket for gas meter



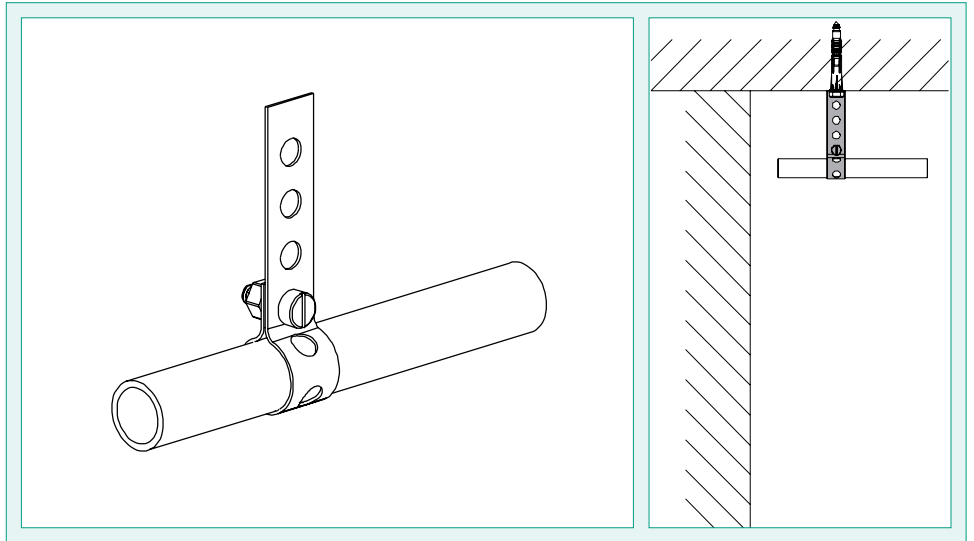
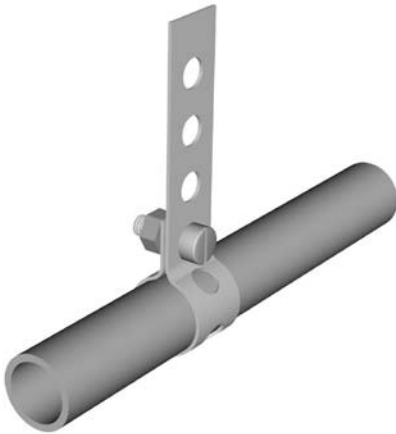
CODE	TYPE	PACKING
1133	G-4	20 pcs
1134	G-6	20 pcs
1135	G-10	10 pcs
1136	G-16	5 pcs
1137	G-25	5 pcs

**Packed:** 1 bracket, 2 screws M6×70 and 2 plugs.

**Usage:** Bracket is used for mounting the pipe on which the gas meter is fixed.



407 - Perforated strip



CODE	TYPE	PACKING
1160	15x2m	50 pcs
1161	20x2m	50 pcs
1162	25x2m	50 pcs
1163	28x2m	50 pcs
1164	30x2m	50 pcs
1165	12x10m	35 pcs
1166	17x10m	30 pcs
1167	20x10m	30 pcs
1168	25x10m	25 pcs

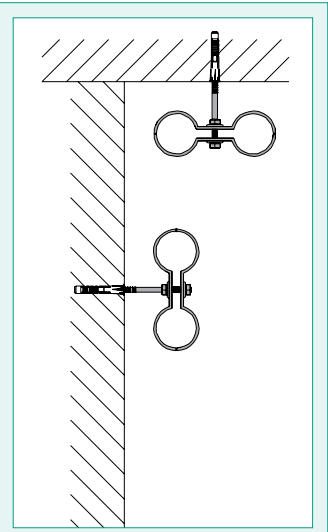
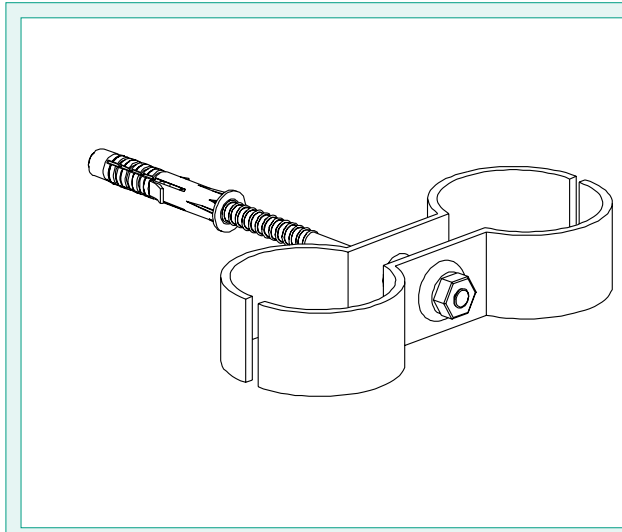
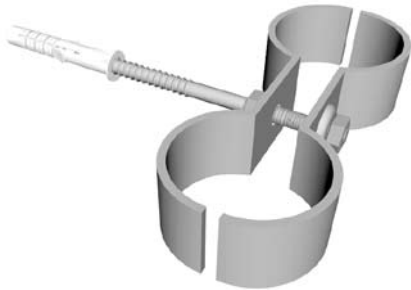
**Material:** Galvanized steel, 2 or 10 m length.

**Packed** 10 m coils are packed in a small cardboard box, 2 m strips are wrapped in wrapping paper.

**Usage:** Installation of pipes and for lowering ceilings.



420 - Pipe clamp (hanger screw)

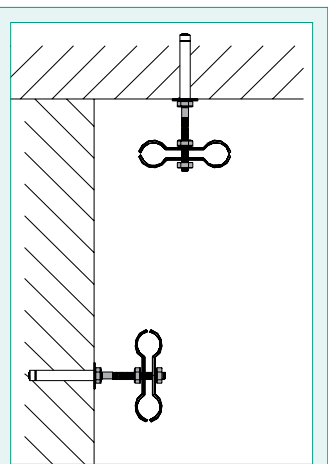
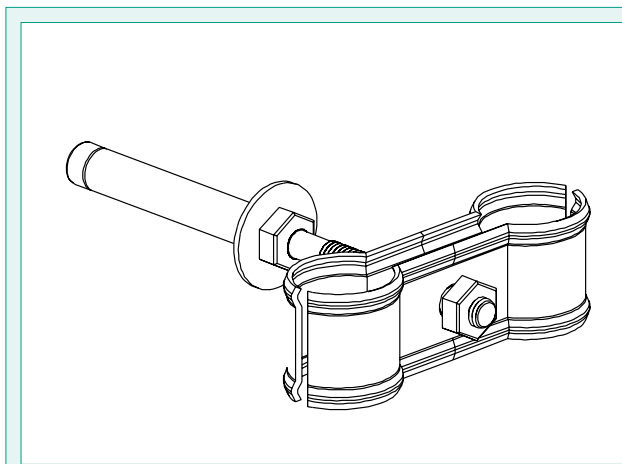


CODE	TYPE	PACKING
1350	C.D.H. 2/2 3/8"	100 pcs
1351	C.D.H. 2/2 1/2"	100 pcs
1352	C.D.H. 2/2 3/4"	80 pcs
1353	C.D.H. 2/2 1"	80 pcs
1354	C.D.H. 2/2 5/4"	50 pcs
1355	C.D.H. 2/2 6/4"	50 pcs
1356	C.D.H. 2/2 2"	50 pcs

**Packed:** 1 pipe clamp, 1 hanger screw + plug Ø 12.  
 Pipe clamps are each packed in foil and compounded in a cardboard box. Each box contains 50 to 100 clamps.

**Usage:** Fixing of pipes for central heating water.

421 -Pipe clamp (stud bolt)



CODE	TYPE	PACKING
1150	C.D.G. 2/2 3/8"	100 pcs
1151	C.D.G. 2/2 1/2"	100 pcs
1152	C.D.G. 2/2 3/4"	80 pcs
1153	C.D.G. 2/2 1"	80 pcs
1154	C.D.G. 2/2 5/4"	50 pcs
1155	C.D.G. 2/2 6/4"	50 pcs
1156	C.D.G. 2/2 2"	50 pcs

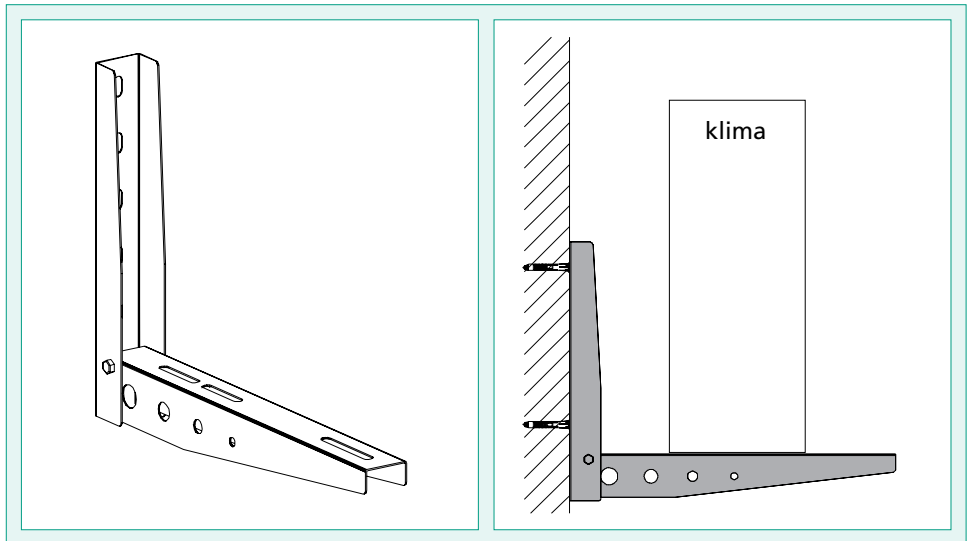
**Packed:** 1 pipe clamp, 1 stud bolt + PVC small tube Ø 12.  
 Pipe clamps are each packed in a foil and compounded in a cardboard box. Each box contains 50 to 100 clamps.

**Usage:** Fixing of pipes for central heating or water. A stud bolt has a small PVC tube which is used as wall plug. This system is very suitable for fixing on walls from aerated concrete.





431 - Bracket for A/C



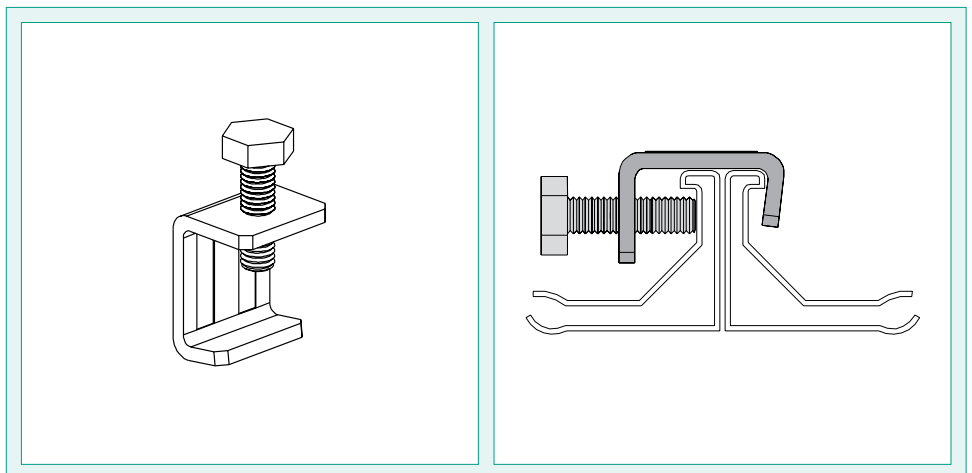
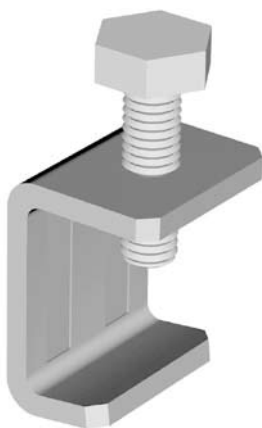
CODE	TYPE	PACKING
1910	SC-90	1 pcs
1911	SC120	1 pcs
1912	SC-150	1 pcs

**Packed:** 2 brackets and fastening screws.

**Usage:** Mounting external units of the air conditioning equipment.

type	load capacity
SC-90	do 90 kg
SC-120	do 120 kg
SC-150	do 150 kg

432 - Clamp for A/C channels

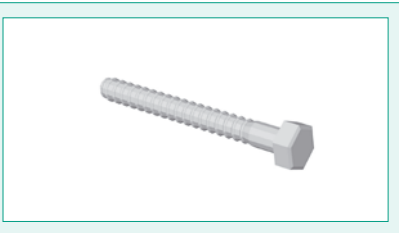


CODE	TYPE	PACKING
1900	A/C clamp	200 sets

**Usage:** The clamp is used for air-conditioning and ventilation channels (profile 20 mm and 30 mm) and other flange systems. It belongs to a new generation of elements for joining large cross-section channels. Using these clamps a high quality and firmness of the joint is achieved. Fixing is quick and simple.



## 408 - Screws

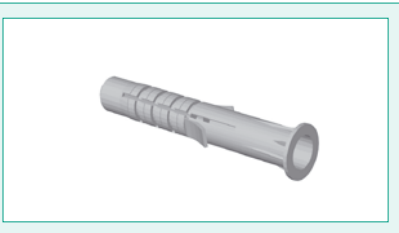


CODE	TYPE	PACKING
10121	6x70	200 pcs
10132	6x45	200 pcs
10123	8x60	200 pcs
10120	8x70	200 pcs
10139	2 screws, 2 plugs	

**Packed:** In cardboard boxes or bags.

**Usage:** Additional bracket fixing accessories.

## 409 - Plugs

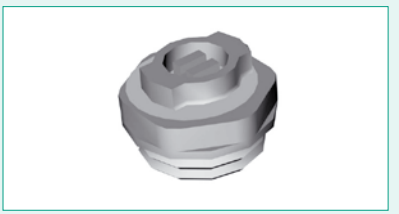


CODE	TYPE	PACKING
10133	plug Ø8	500 pcs
11106	plug Ø10	500 pcs
10131	plug Ø12	500 pcs

**Packed:** In cardboard boxes or bags.

**Usage:** Additional bracket fixing accessories.

## 410 - Radiator key, plug, air vent

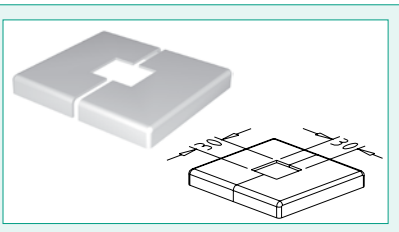


CODE	TYPE	PACKING
7550	1 air vent and 1 blind plug 1/2"	250 sets
7557	1 air vent and 3 blind plugs 1/2"	250 sets
7558	1 radiator key, 1 air vent 1/2" and 1 blind plug 1/2"	250 sets
7552	blind plug 1/2"	500 pcs
7553	air vent 1/2"	500 pcs
7555	air vent 1/4"	500 pcs
7556	air vent 3/8"	500 pcs
7554	plastic radiator key	500 pcs
7551	metal radiator key	500 pcs

**Packed:** In cardboard boxes or bags. Sets are packed in foil.

**Usage:** Radiator key is used for venting the radiator.

## 411 - Rosette T



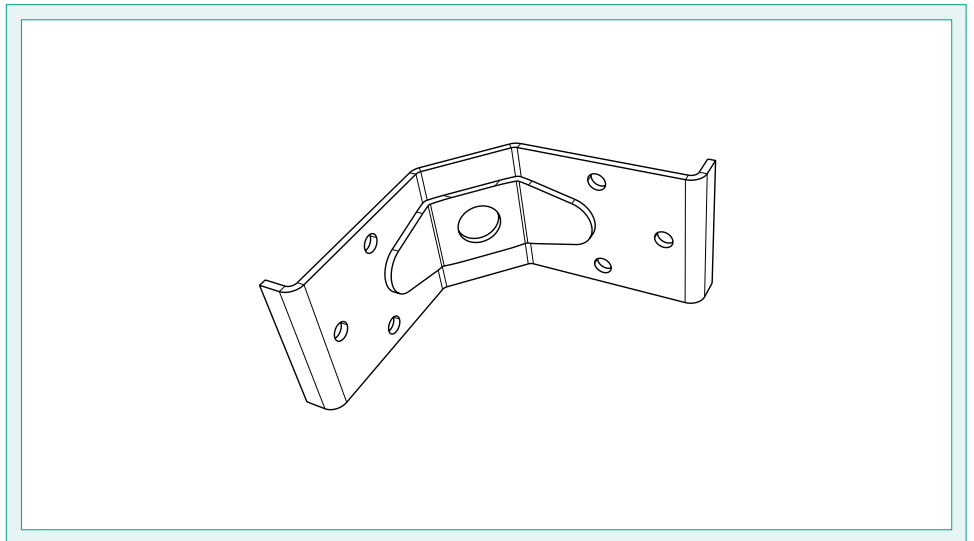
CODE	TYPE	PACKING
1130	Rosette T – plastic cover for floor brackets	50 pairs

**Usage:** Plastic cover for floor brackets is used to cover the lower part of floor brackets in case they are mounted above the pavement.

**Barva:** RAL 9016. It is possible to supply in any other RAL color scale.



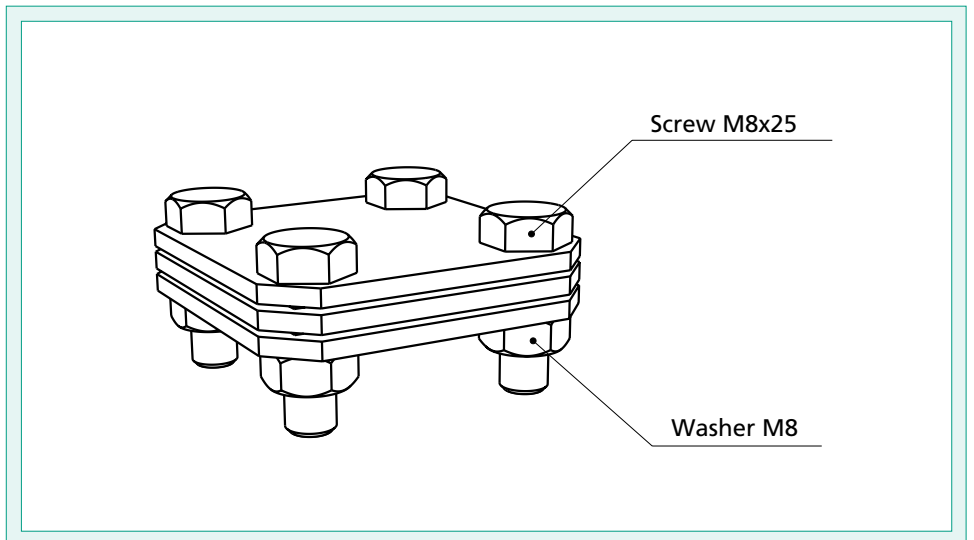
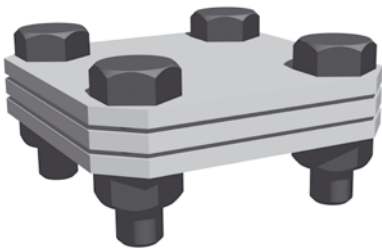
300 - Framing square tables



CODE	TYPE	PACKING
900102	angular band for tables	100 pcs

**Usage:** Angular band for a table is used in the furniture industry.

303 - Cross clamp



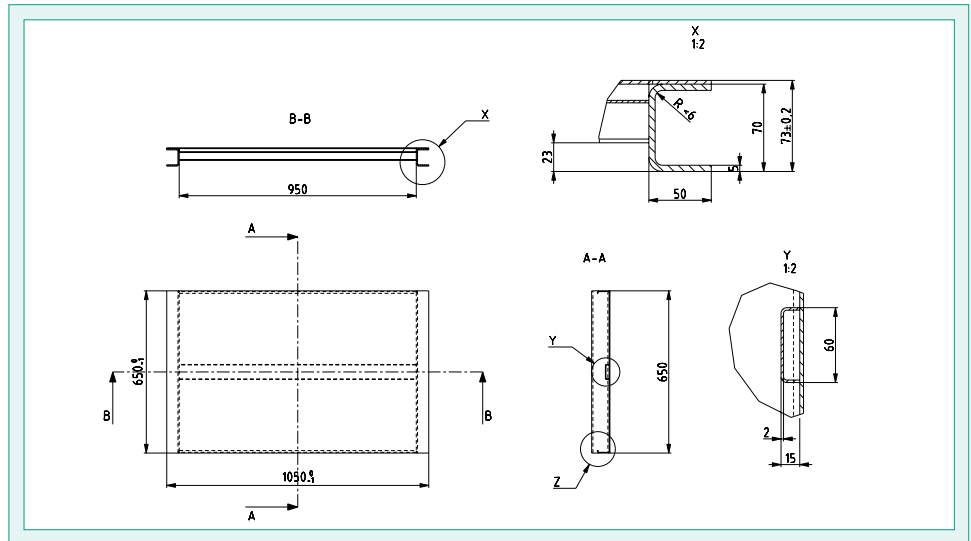
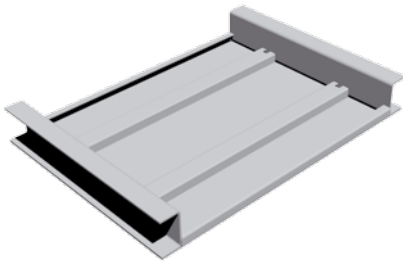
CODE	TYPE	PACKING
1944	Cross clamp	50 pcs

**Packed:** In a cardboard box

**Usage:** Cross clamp is used for mounting of lightning conductors. It is used to link flat lightning conductors.



301 - Paving stones palette



CODE	TYPE	PACKING
900106	palette 1050x650	1 pcs
900107	palette 1250x650x73	1 pcs

**Usage:** Depositing palette is used for robotized production of concrete plates.

**Note:** We make several different dimensions, according to buyer's request.







## Transformation of sheet metal

Steel plates or coils are mostly transformed with eccentric presses with press forces from 10 to 130 tonnes, which are equipped with electronic and pneumatic feeders and straighteners of steel coils. Scissors for cutting steel plates, steel plates straighteners, saws and tool processing machines are also used in the production.



## Plastic injection moulding

We use several Kraus Maffei machines for plastic injection moulding. They are computer-driven and have all the accessories for automatic and high-quality modification of plastic.



## Welding

Welding is carried out by automatic machine and manual welding units.



## Packing

Our products are packed with the help of vertical and horizontal packing machines, which are supplemented with vibration feeding systems and printers of labels and barcodes on the plastic foil.





**PUCIHAR**

**PUCIHAR-P d.o.o.**

Veliki Vrh 7  
1293 Šmarje Sap  
SLOVENIA

Tel.: +386 (0)1 780 41 83

Fax: +386 (0)1 780 41 84

E-mail: [pucihar@siol.net](mailto:pucihar@siol.net)

<http://www.pucihar.com>