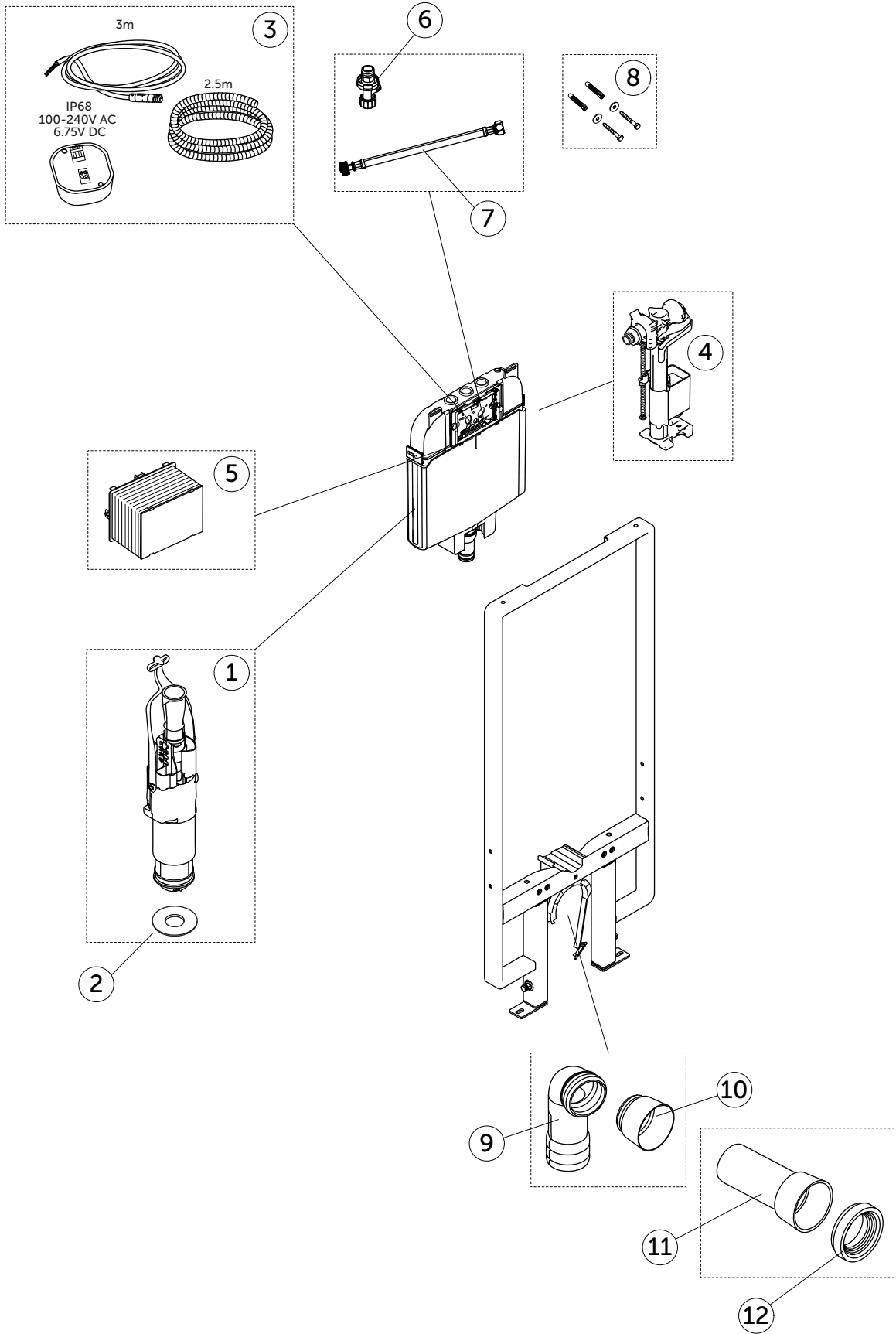


# SPARE PARTS

PROSYS 80



# SPARE PARTS

PROSYS 80

REP.	CODE	DESCRIPTION	WHERE IS USED
1	RV15167	PROSYS FLUSH VALVE FOR WC FRAME 80 M	
2	RV15567	PROSYS SEAL FOR WC FRAME 150/80	
3	R009367	PROSYS TRANSFORMER 74 & 120 PROXIMITY ONLY	
4	RV15467	PROSYS FILLING SMARTVALVE CLASS 1	
5	RV16667	PROSYS Service tunnel	
6	RV16867	PROSYS 80 Stop Valve	
7	RV17167	PROSYS 80 Flexible hose 3/8 / 3/8 x 215	
8	RV17867	Fixation screws x4 for PROSYS 80 / 120 / 150	
9	RV18067	PROSYS Outlet bend 90/90	
10	RV18167	PROSYS outlet bend adaptor 90/110 (needed for FS NF frames to be sold in other countries)	
11	RV18267	PROSYS WC connection pipe diam 90x250	
12	RV18367	PROSYS Rubber seal for pan diam 125	

Ideal Standard International NV  
Corporate Village – Gent Building  
Da Vincilaan 2  
B1935 – Zaventem  
Belgium



**BE** +32 (0)2 325 66 33  
**BG** +359 675 30362  
**DE** +49 (0)228 521 580  
**EG** +202 26969700  
**FR** +33 (0)1 49 38 28 00  
**GB** 0870 129 6085  
**GR** +30 210 67 90 810  
**HR** +38591 22 99 304

**HU** +36 30 6991 594  
**IT** 800 652 290  
**ME** +971 4 804 2400  
**NL** +31 (0)77 355 08 08  
**PL** +48 71 7868 301/302  
**RO** +40 21 3223 201/202  
**SI** 00386 59 919040  
**TR** +90 216 314 87 87

**UA** +359 675 30 468  
**AL/XK/BA** +359 887 709 696  
**CZ/SK** +420 417 592 179  
**DK/NO/SE** +45 75 84 10 10  
**ES/PT** +34 93 561 80 00  
**LV/LT/EE** +371 673 57 792  
**RS/MK/ME** +381 11 713 80 58  
**RU/MD** +7 495 669 23 11

