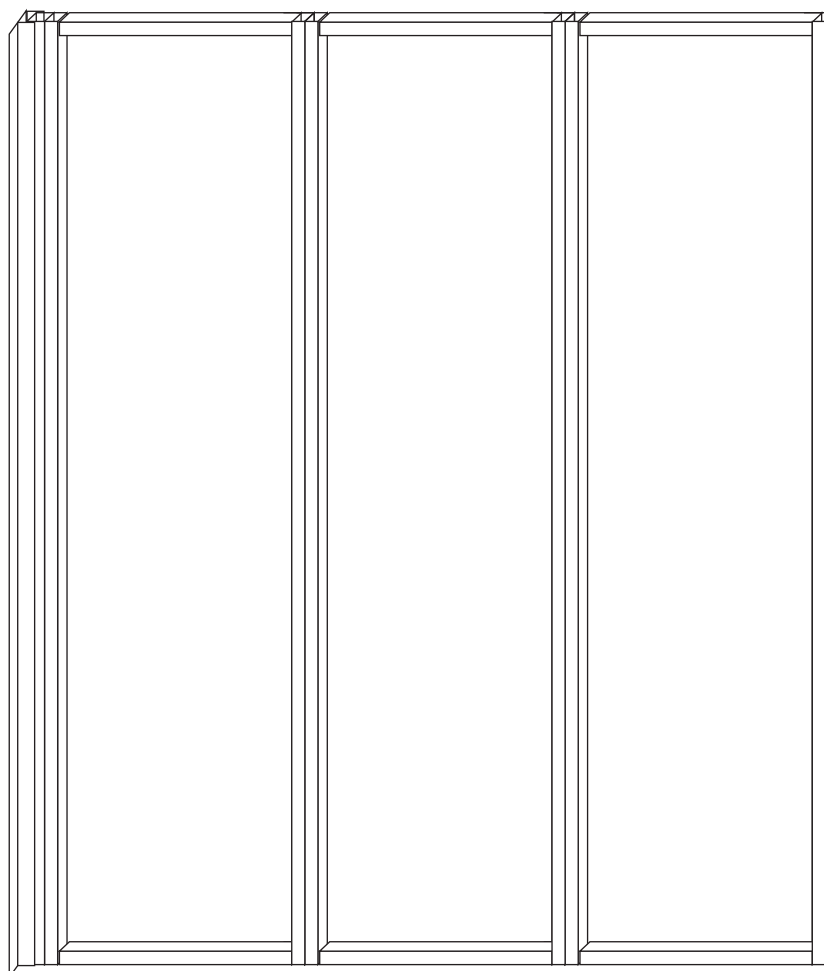


# HX-110

## Installation instructions



**SIZE : 130\*140 CM**

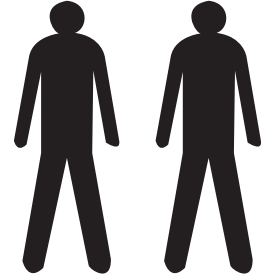
# HX-110

## Installation instructions

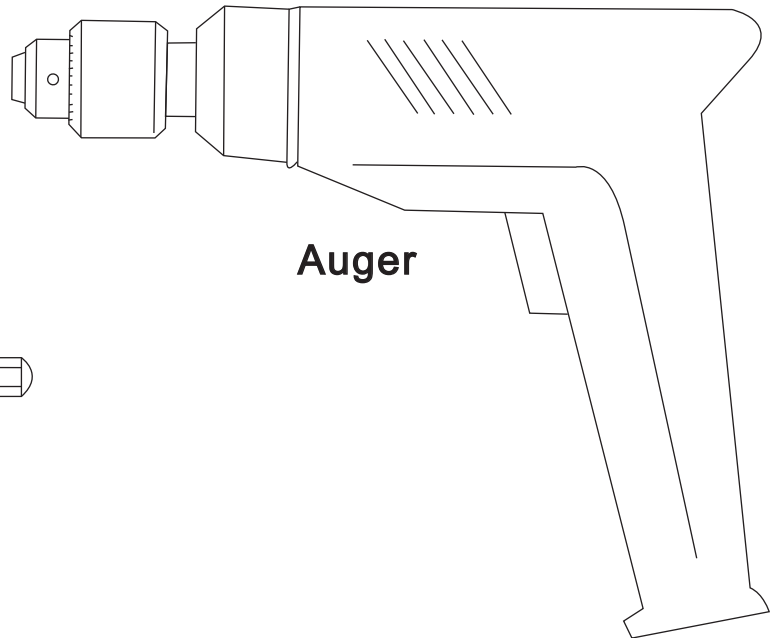
### TOOLS REQUIRED(NOT SUPPLIED)

when you're ready to start,make sure that you have the following tools to hand,plenty of space and a clean dry area for assembly.

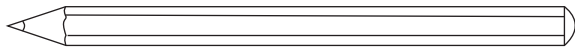
Two people are needed. Please note:although these instructions are comprehensive,We always recommend that a technically competent installer should undertake installation.



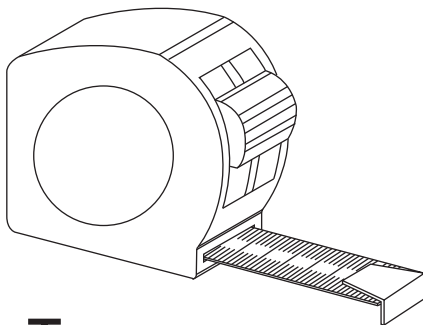
**Drill beat head  
4mm**



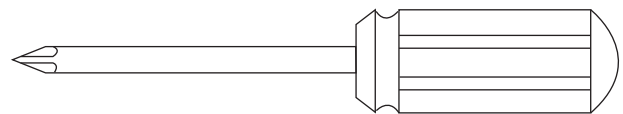
**Auger**



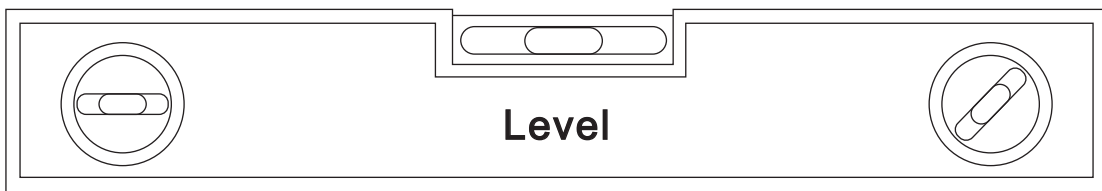
**Pencil**



**Tape measure**



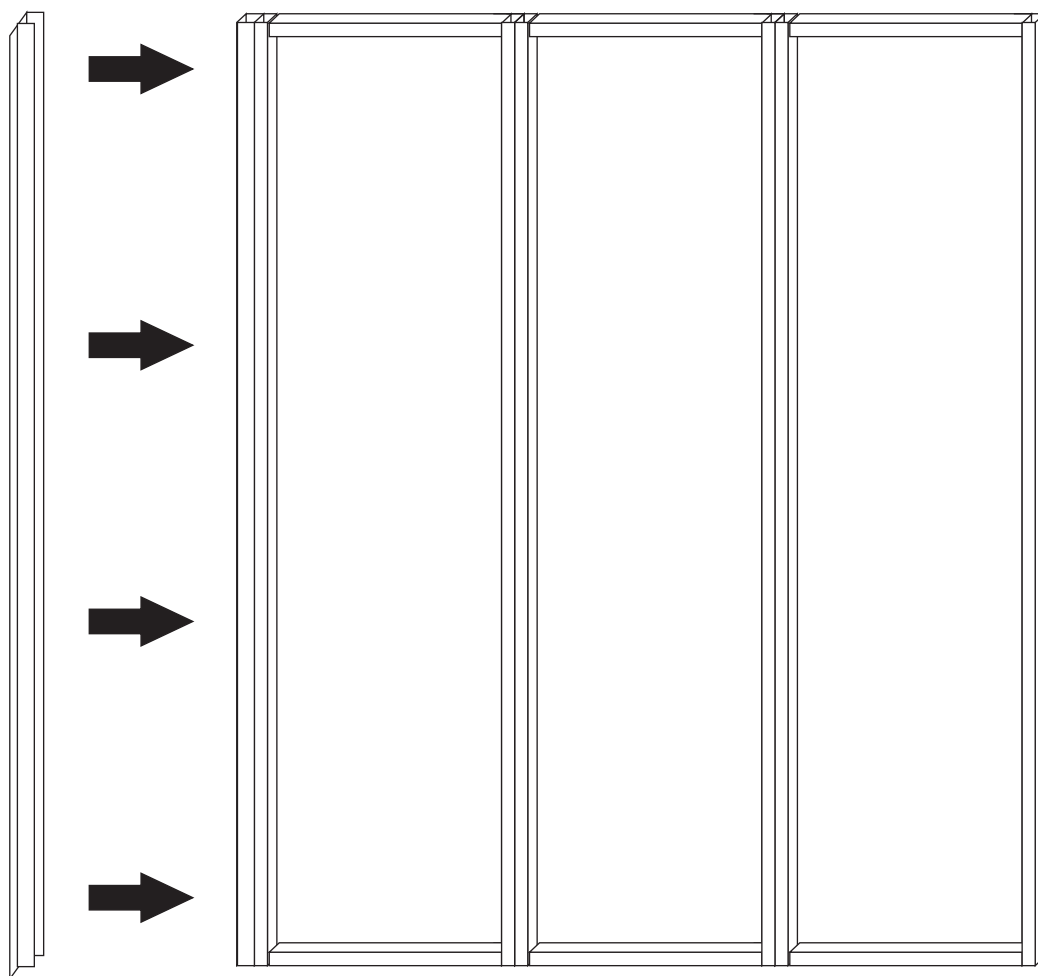
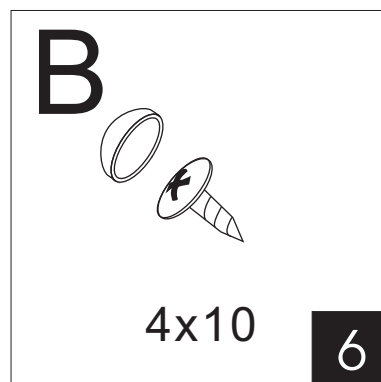
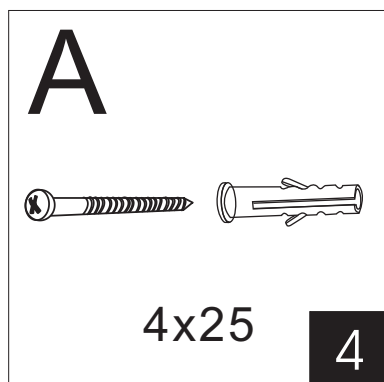
**Magnetic crosshead schrewdriver**



**Level**

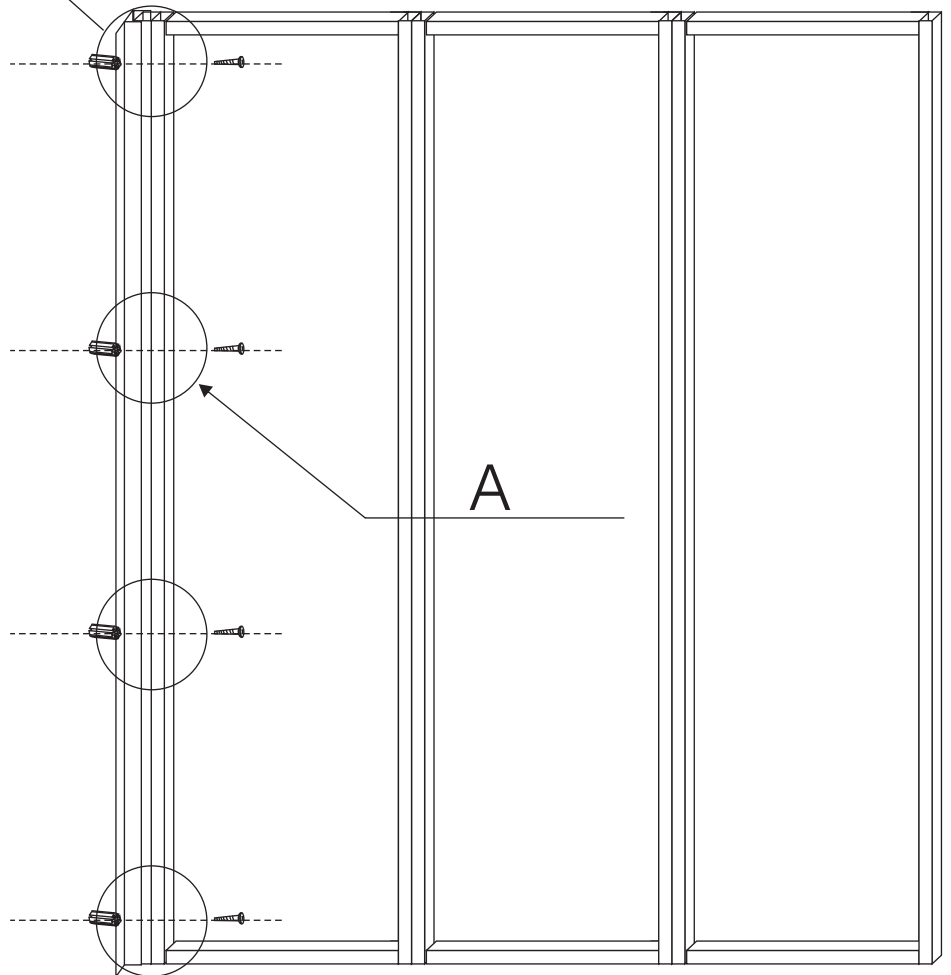
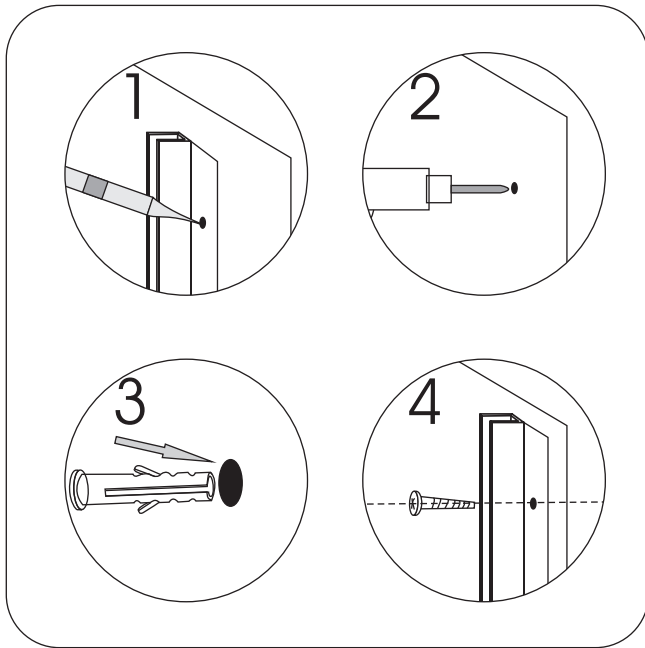
# HX-110

## Installation instructions



# HX-110

## Installation instructions



# HX-110

## Installation instructions

