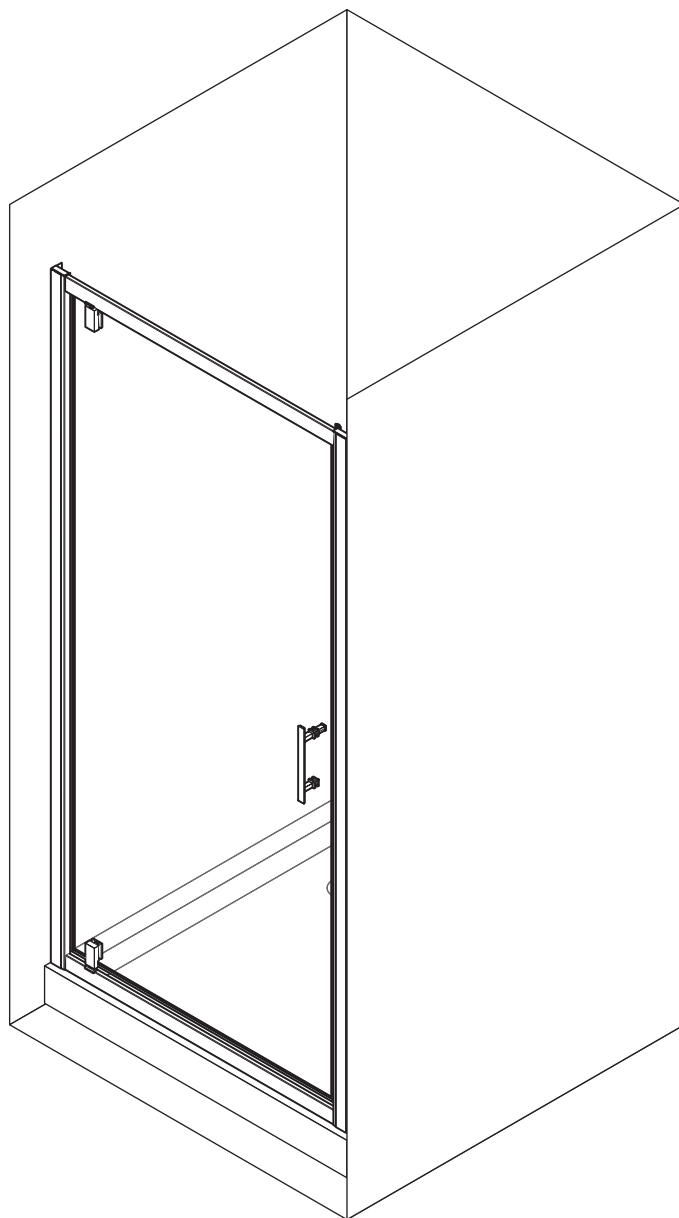
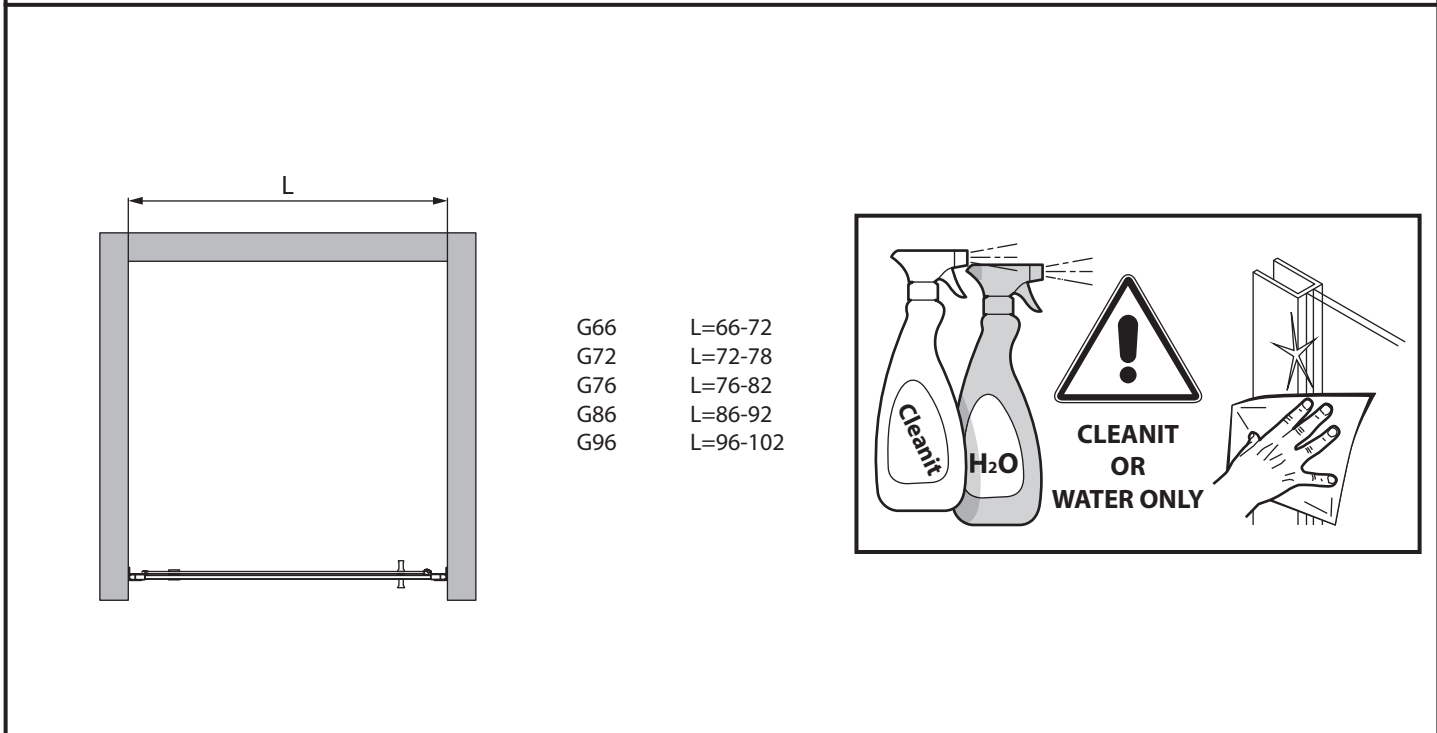
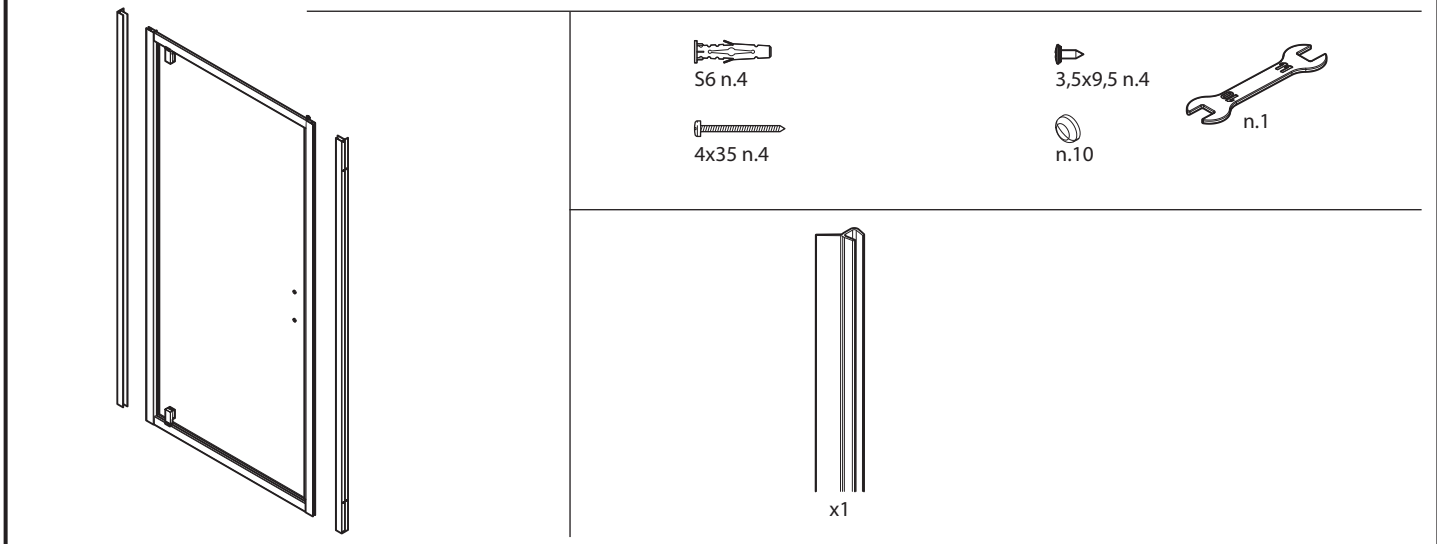
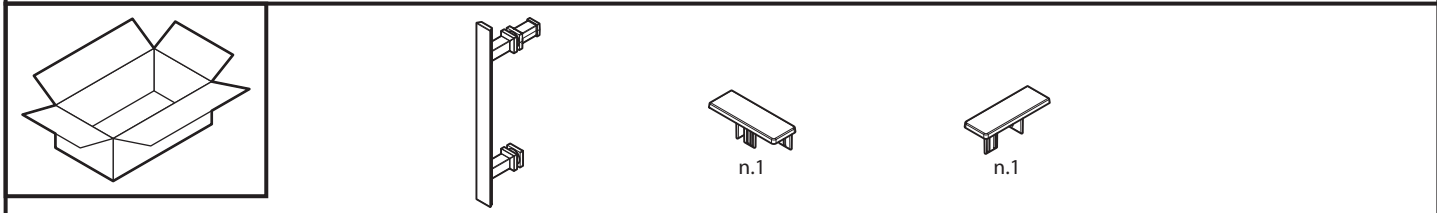
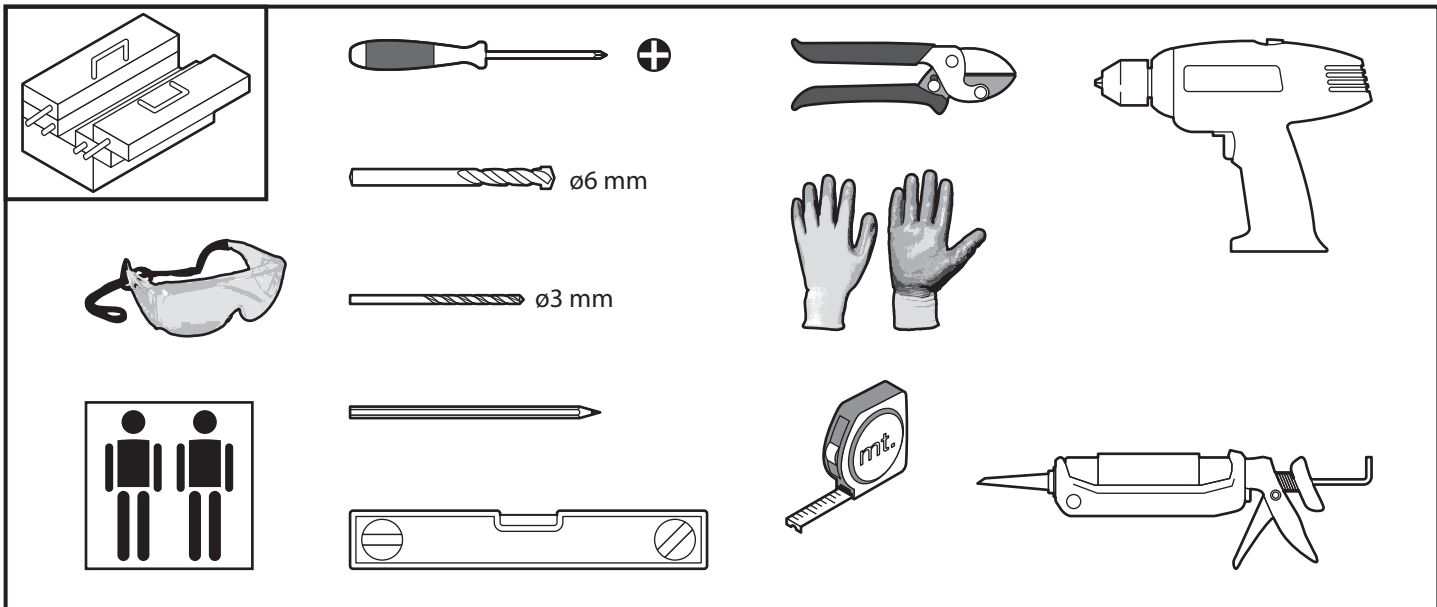
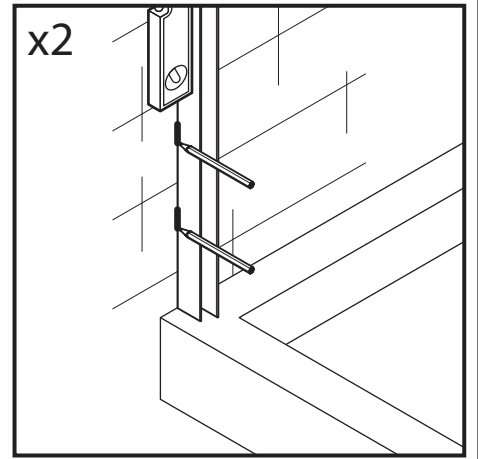
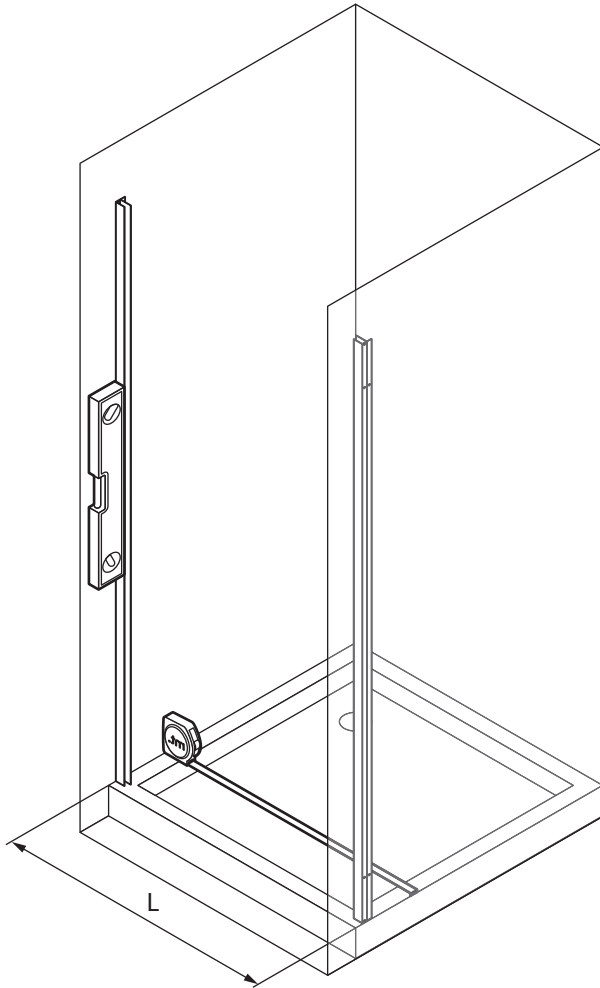


G

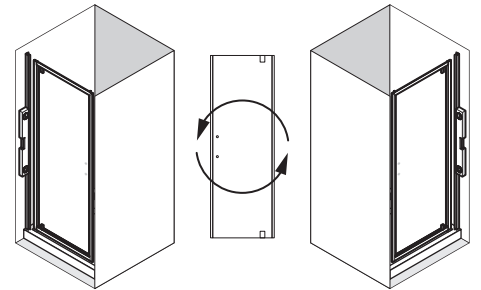
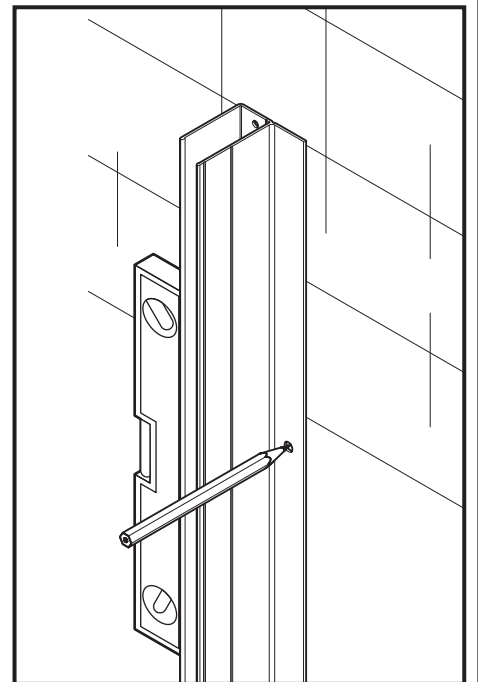
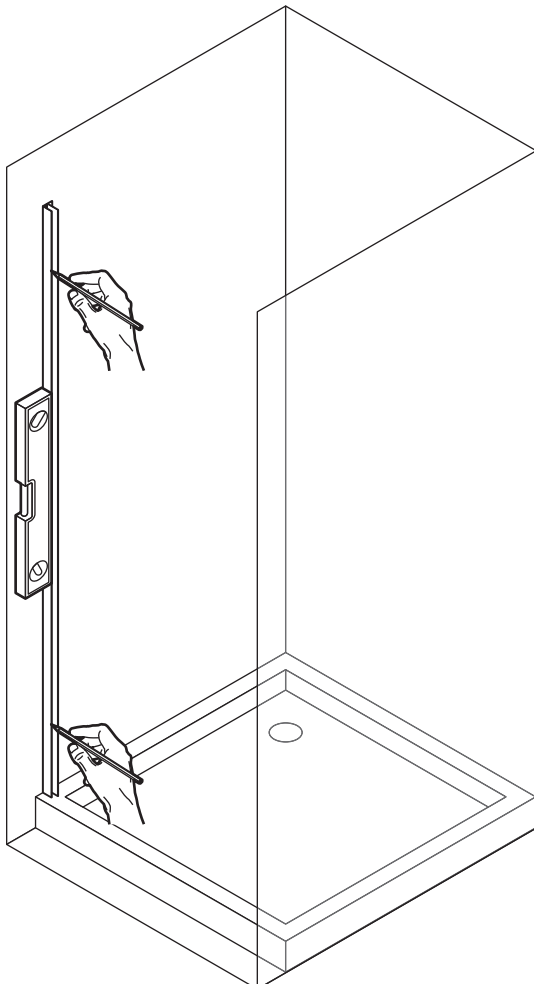


<hr/> <hr/> <hr/> <hr/>	<hr/> <hr/> <hr/> <hr/>
-------------------------	-------------------------



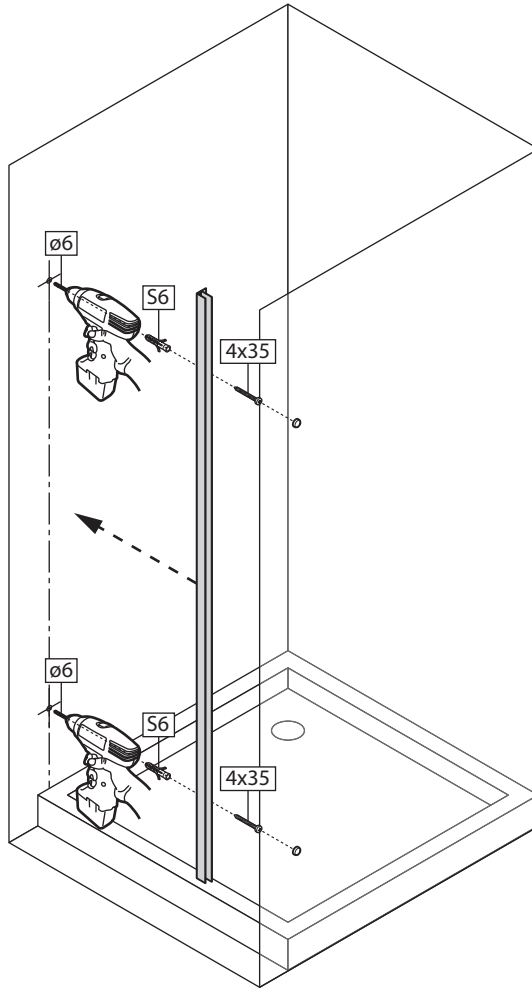
1**x2**

- | | |
|-----|----------|
| G66 | L=66-72 |
| G72 | L=72-78 |
| G76 | L=76-82 |
| G86 | L=86-92 |
| G96 | L=96-102 |

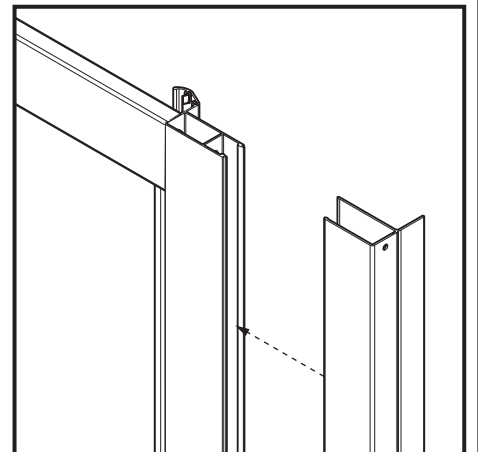
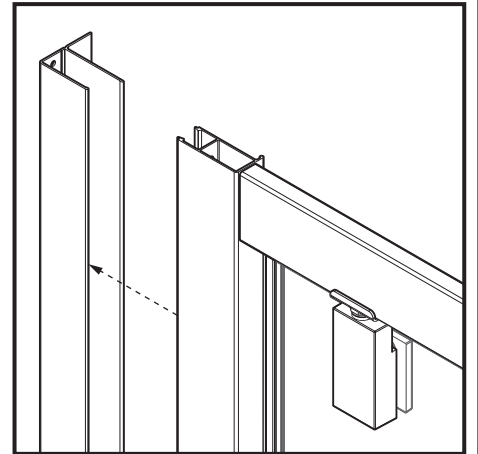
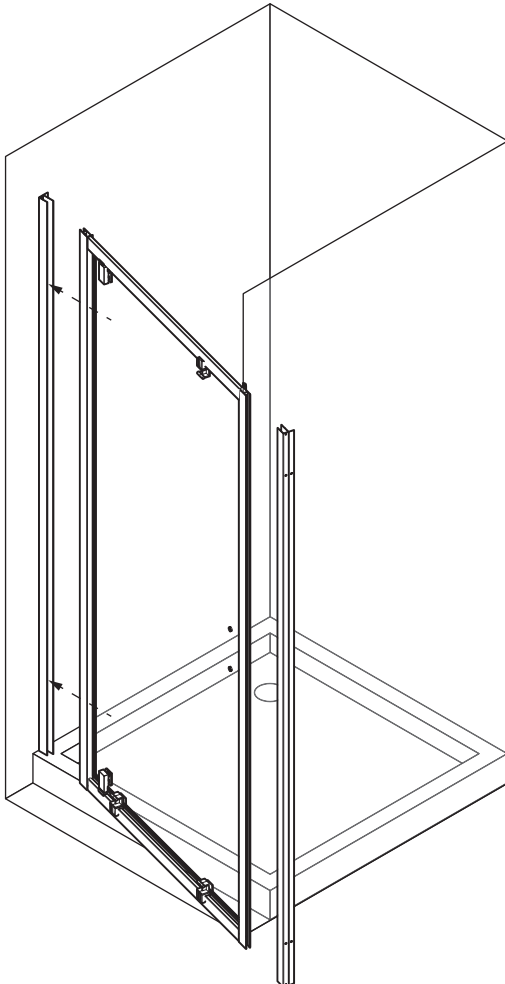
**2****3**

3

 ø6 mm

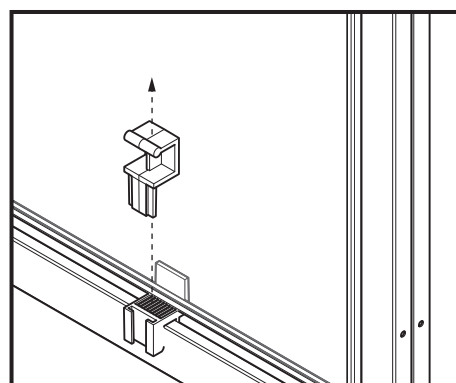
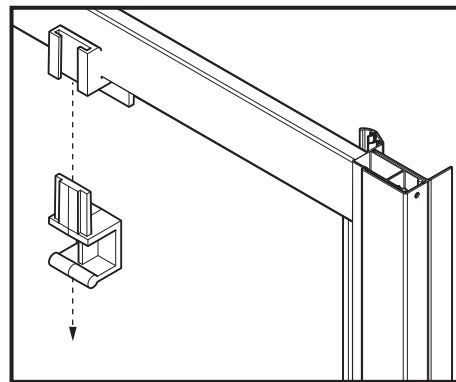
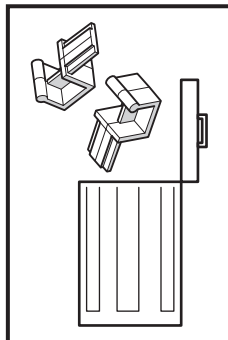
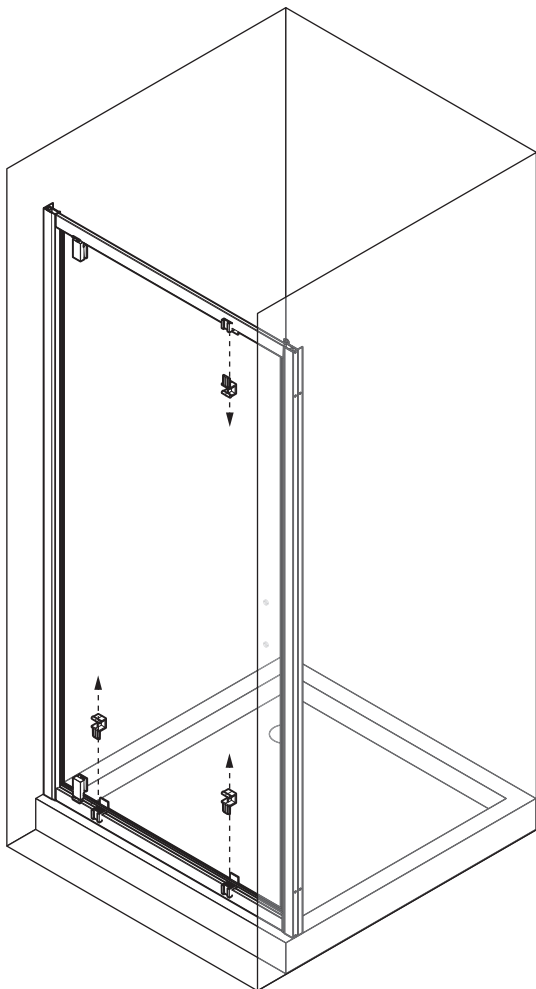


4

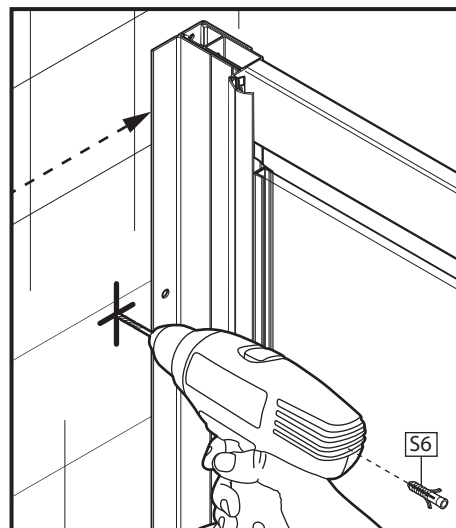
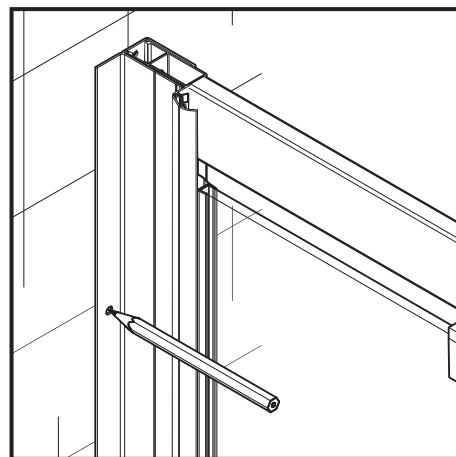
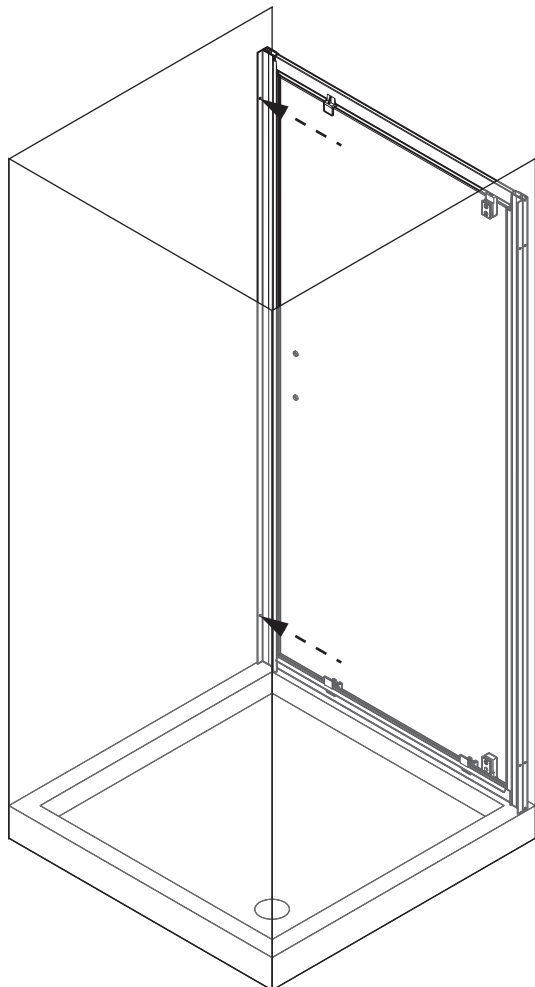


4

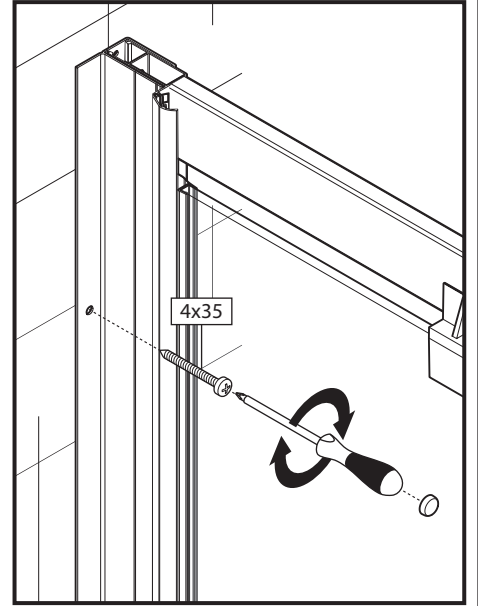
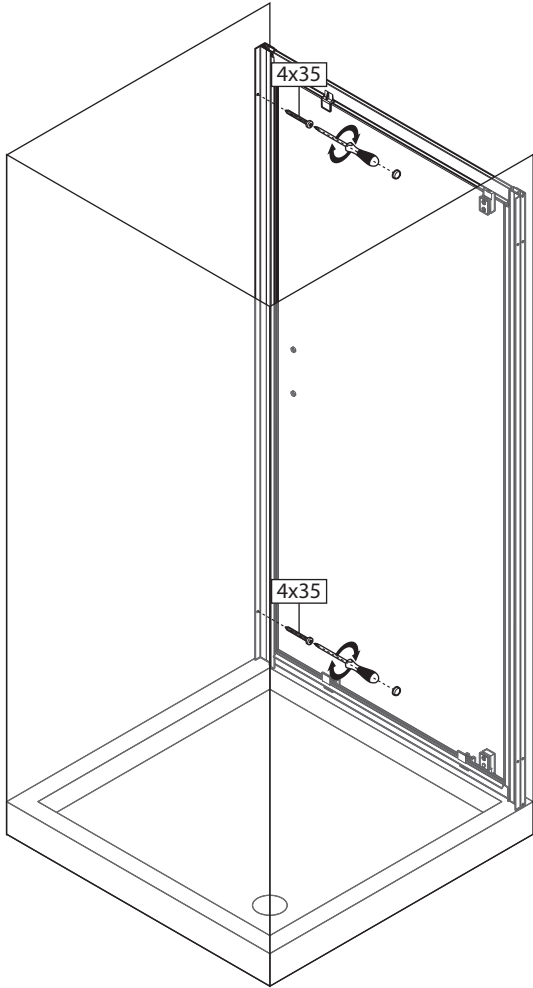
5



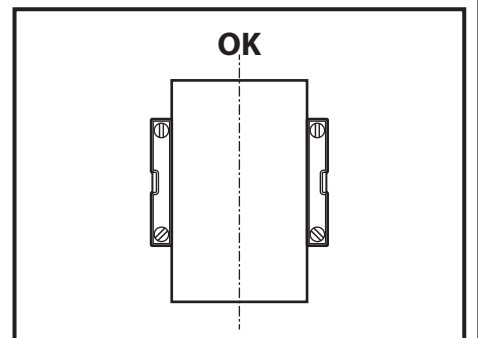
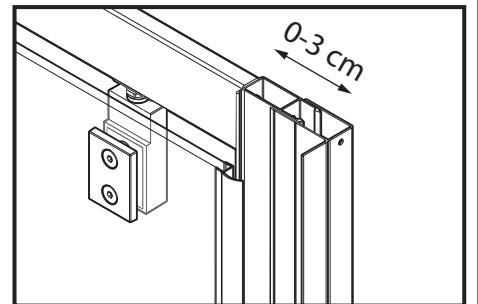
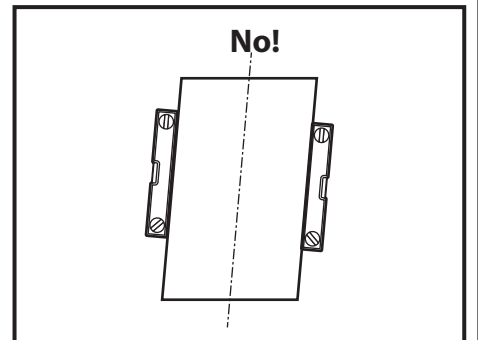
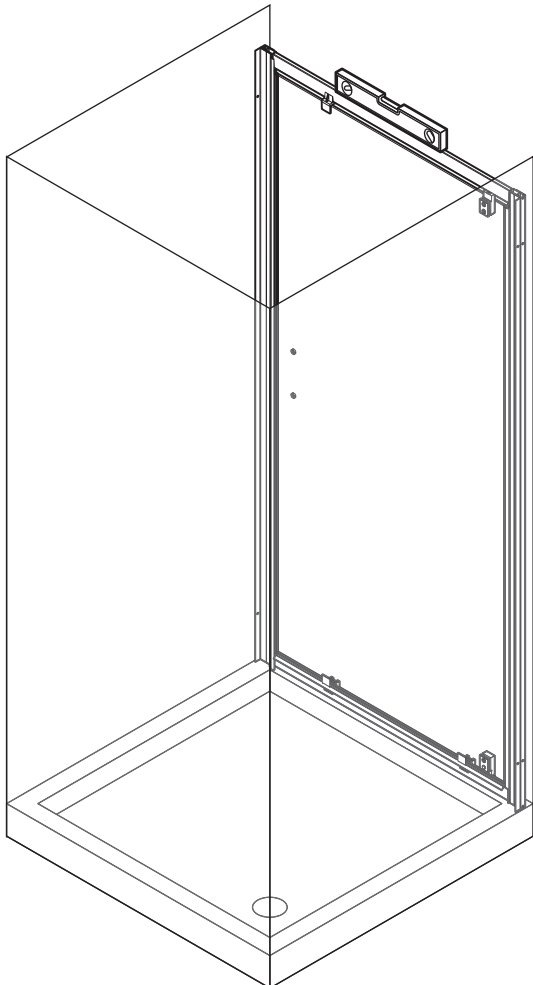
6



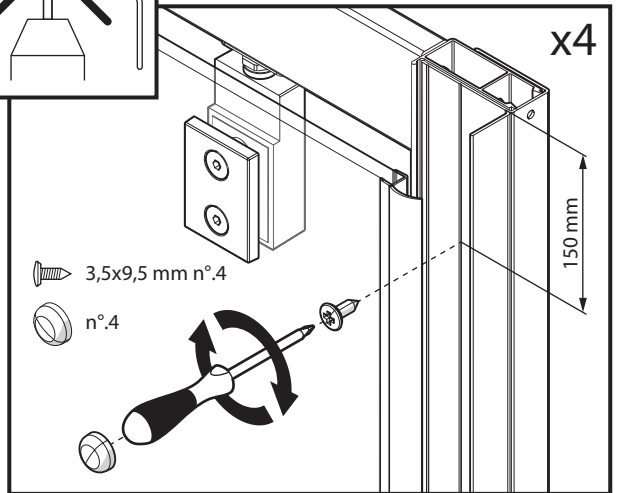
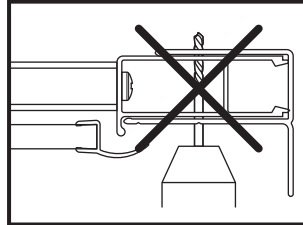
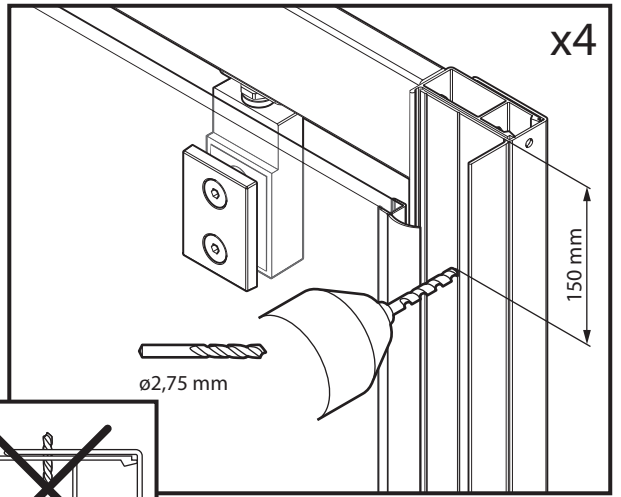
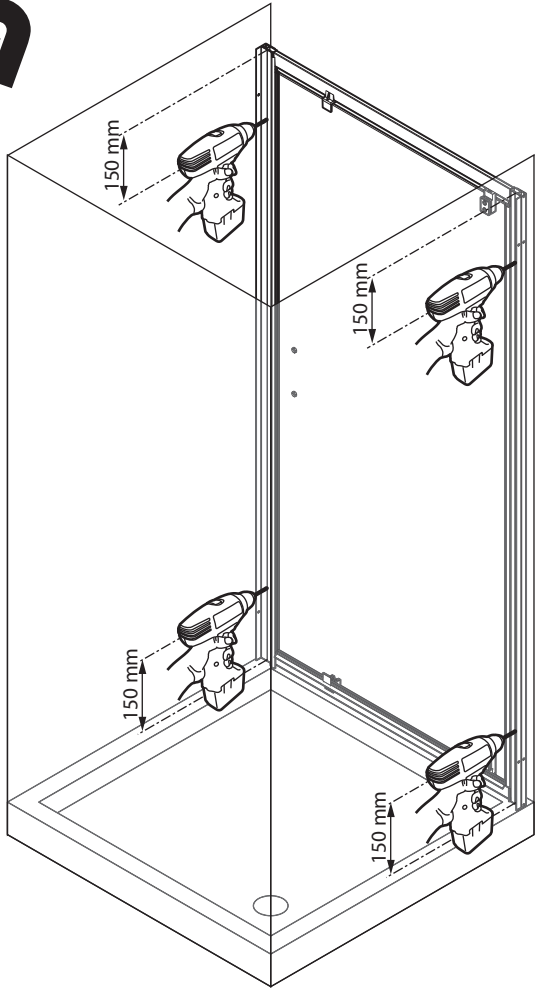
7



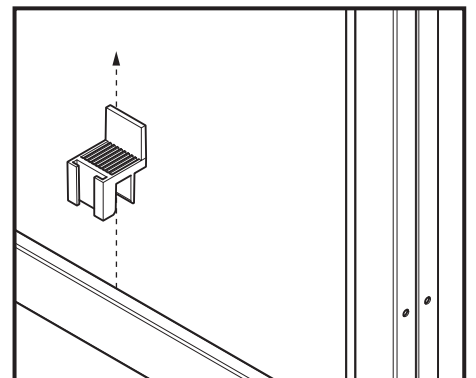
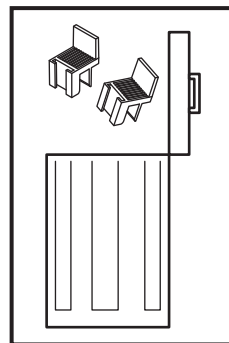
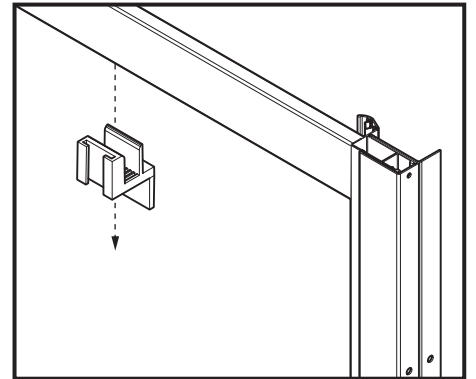
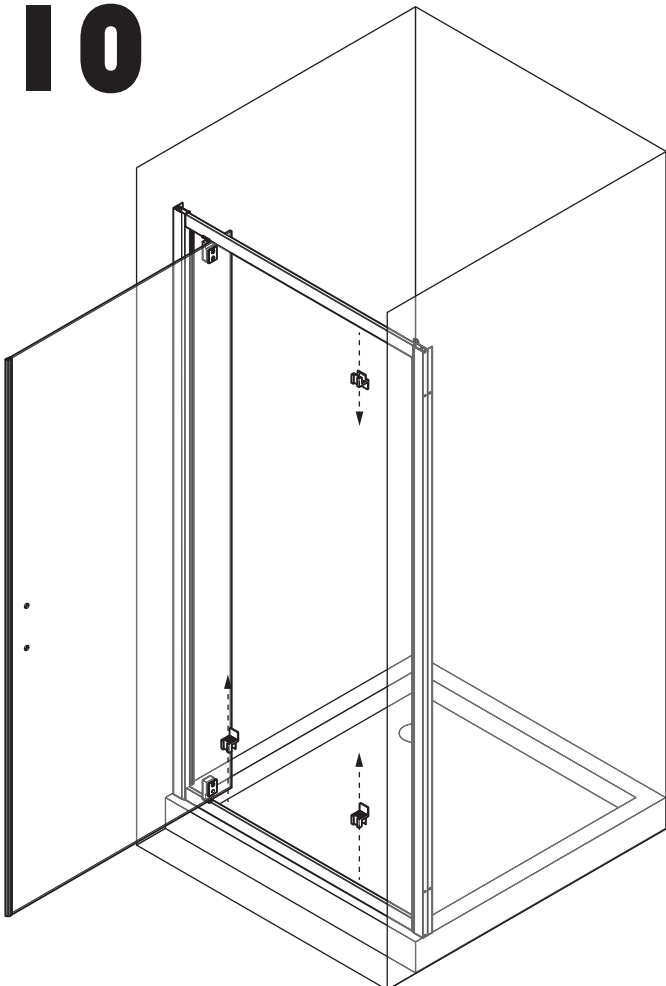
8

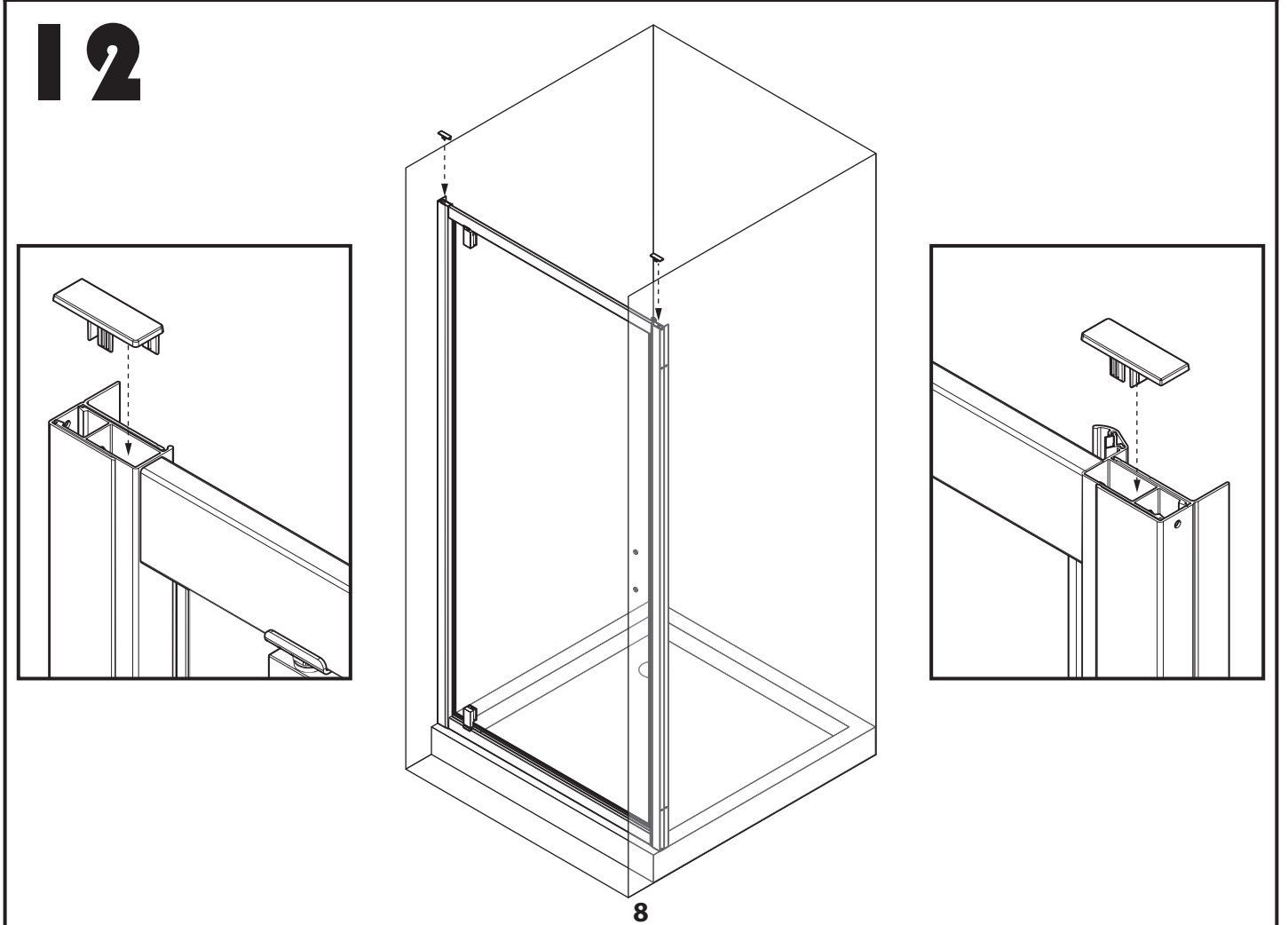
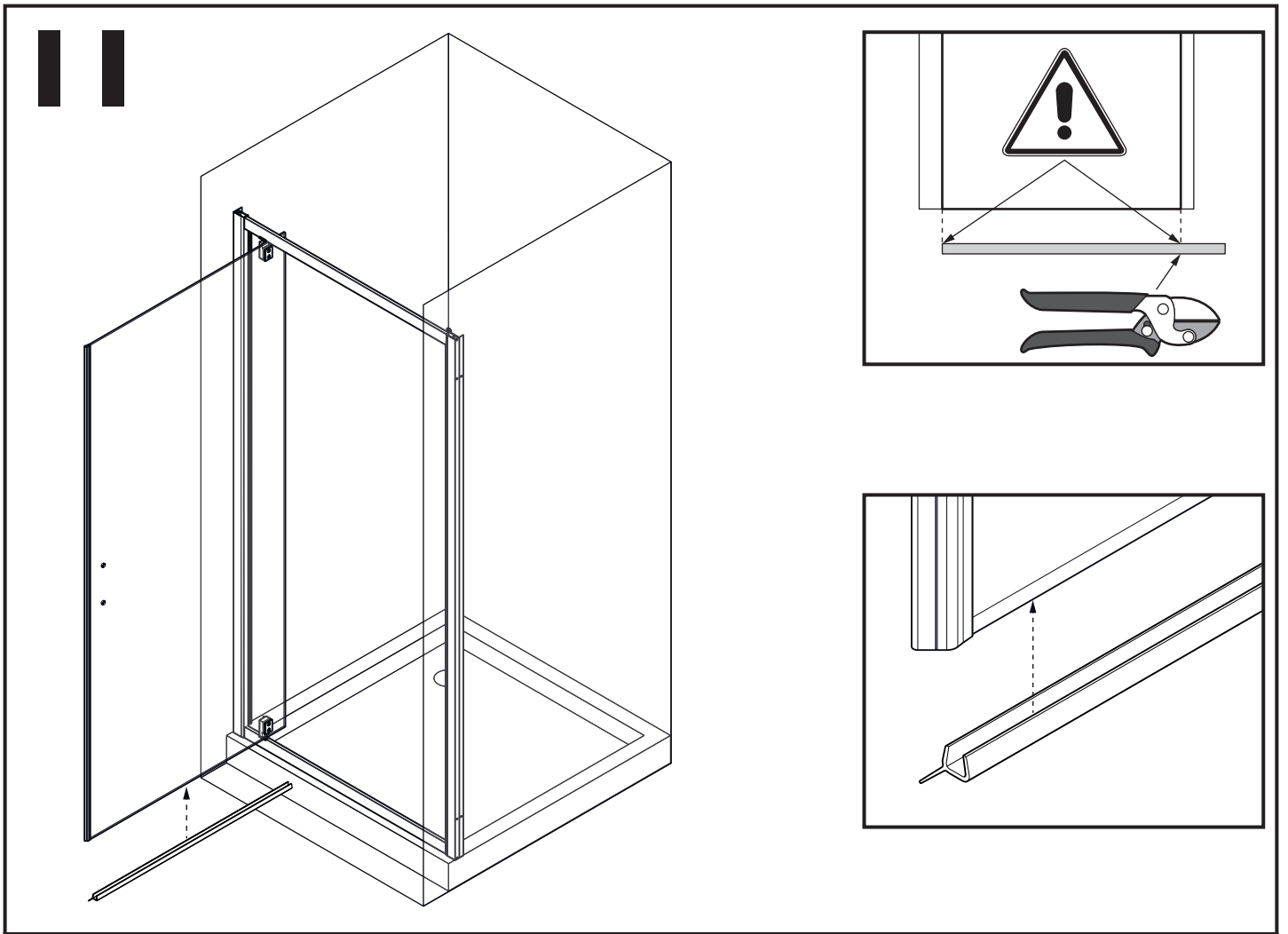


9

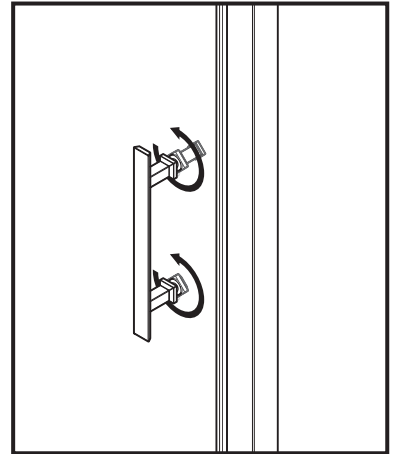
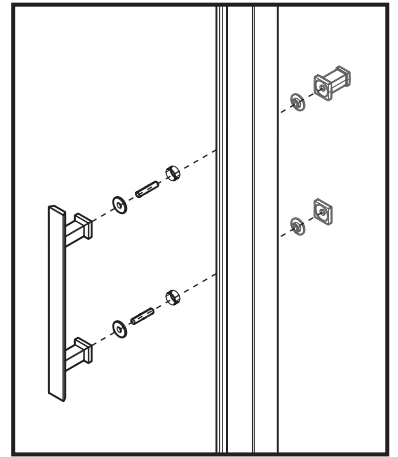
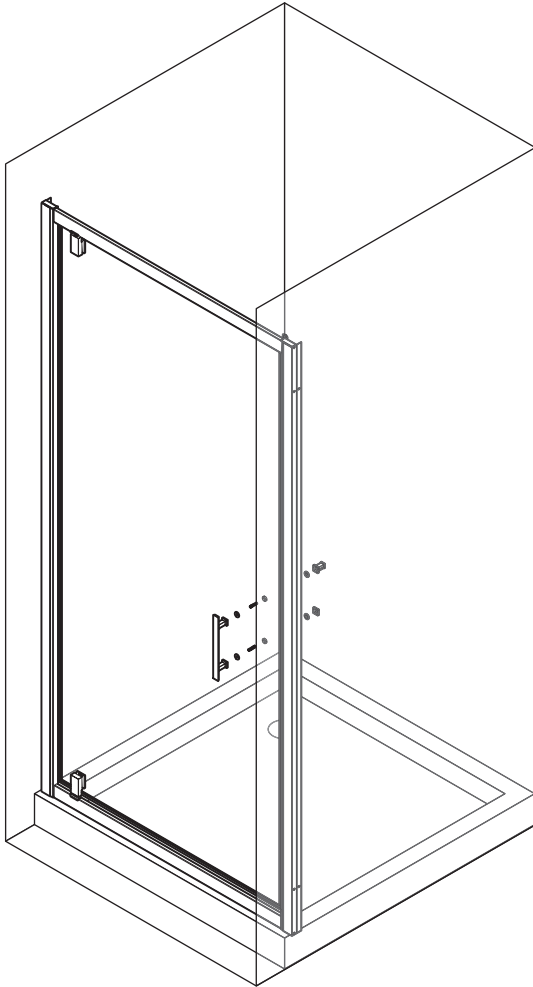


10

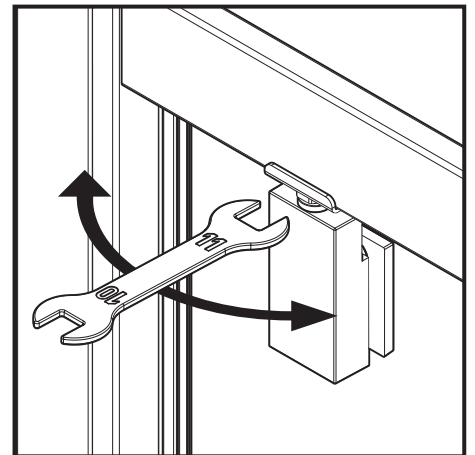
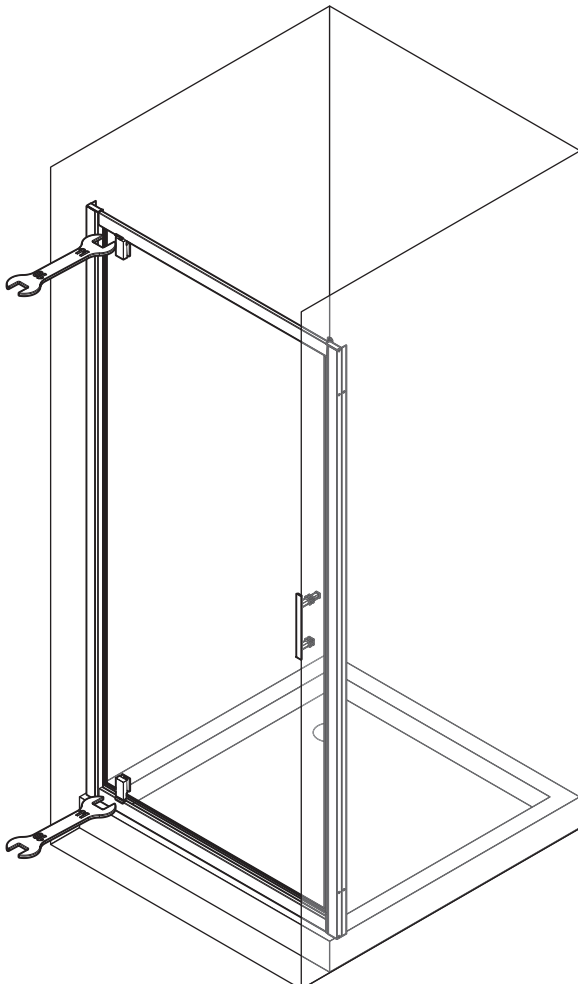




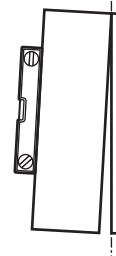
13



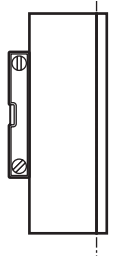
14



No!



OK



15

