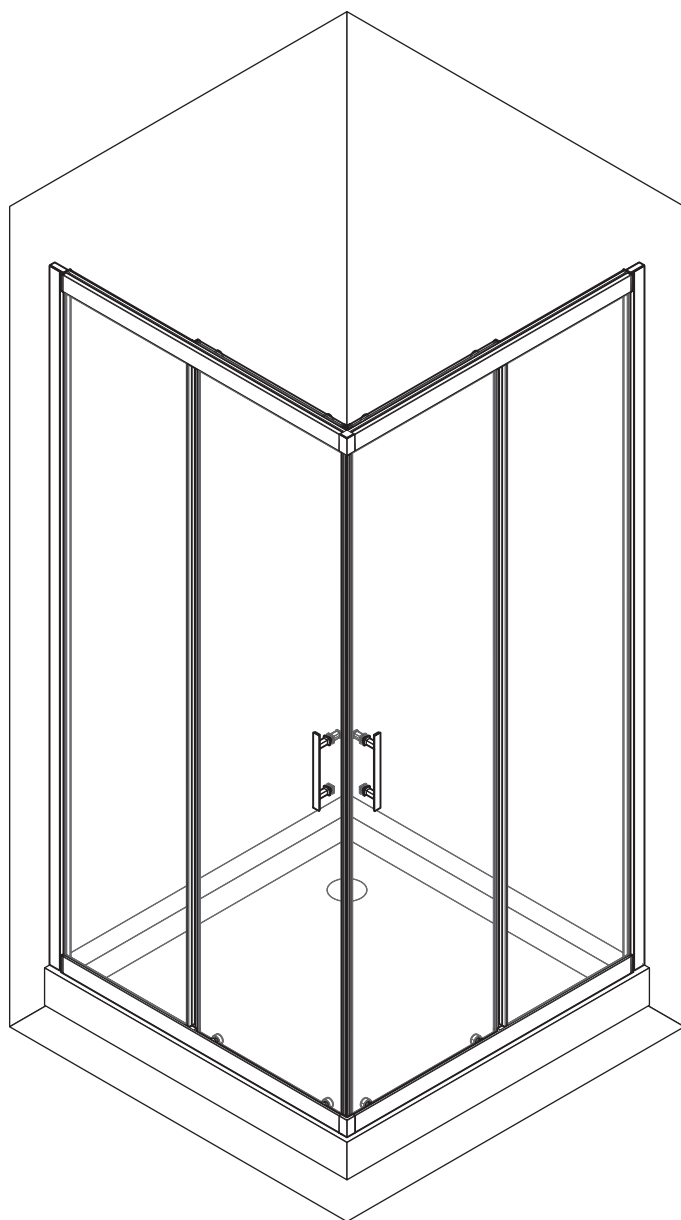
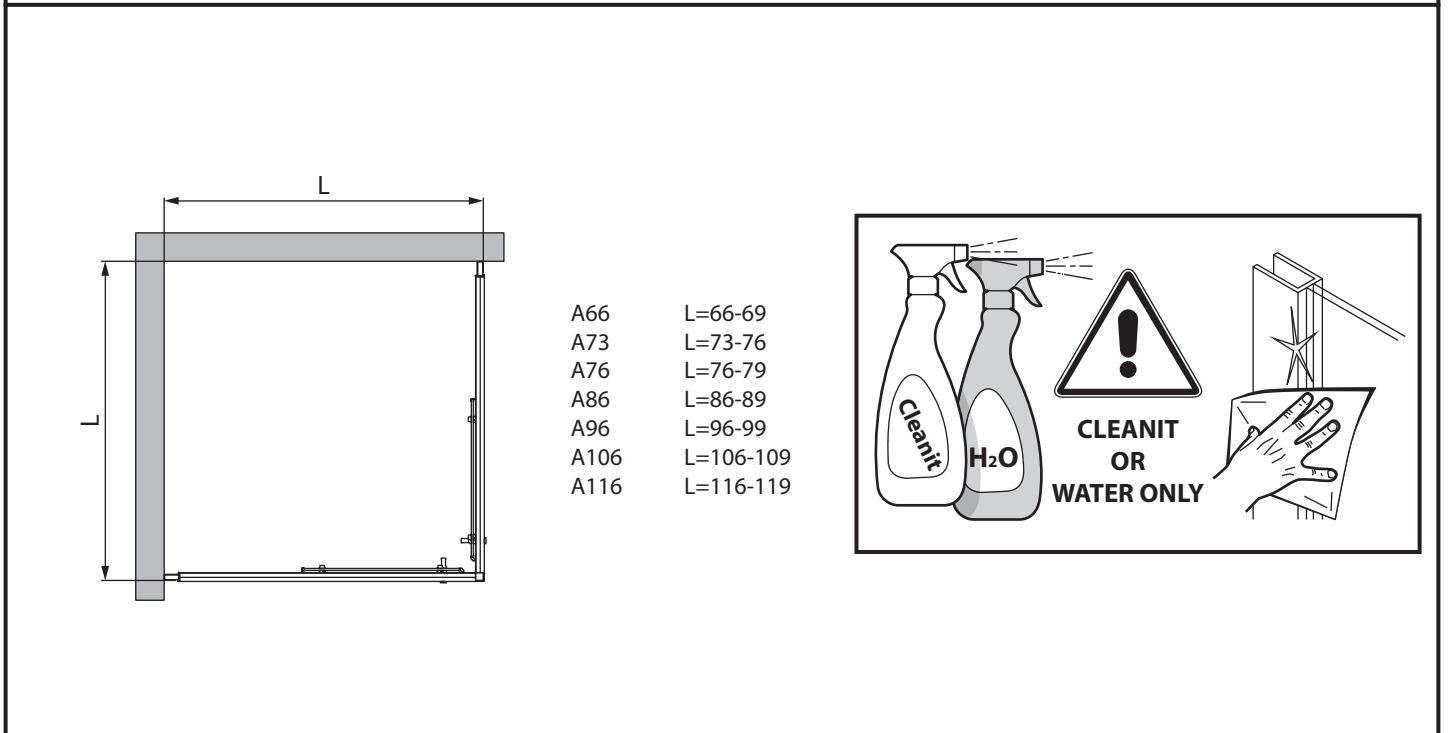
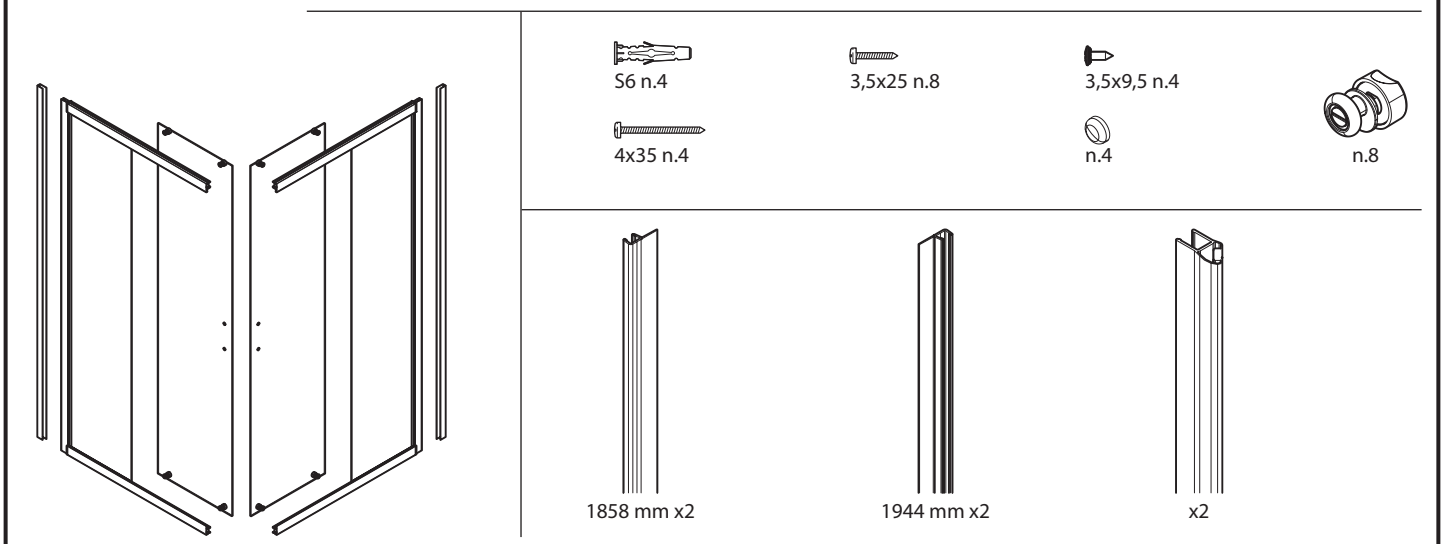
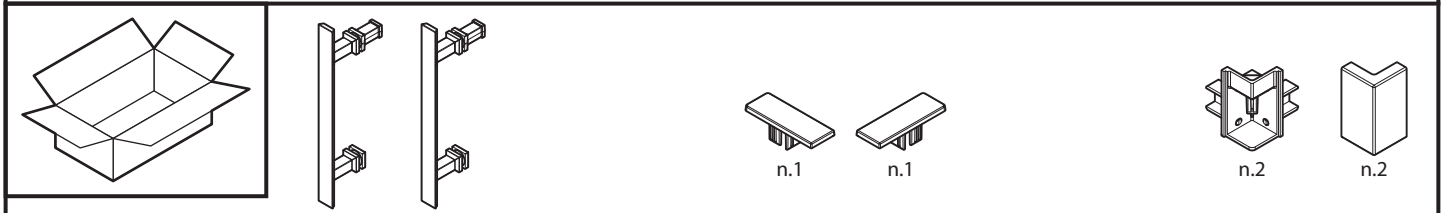
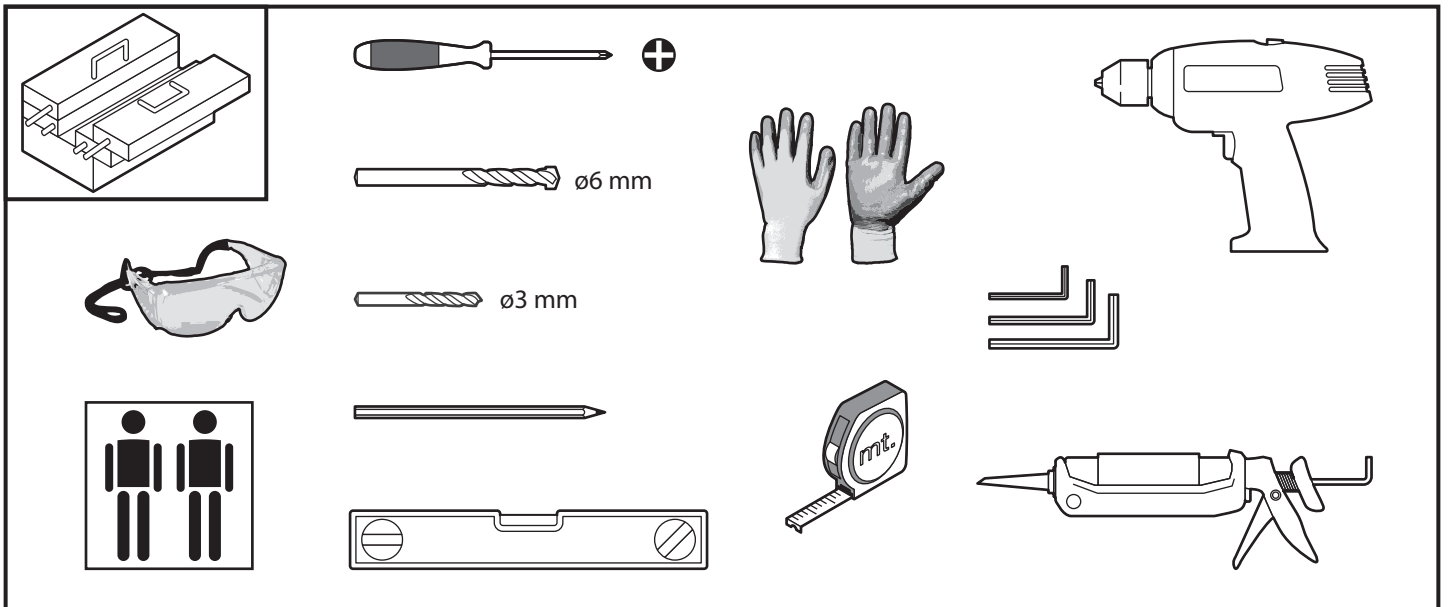
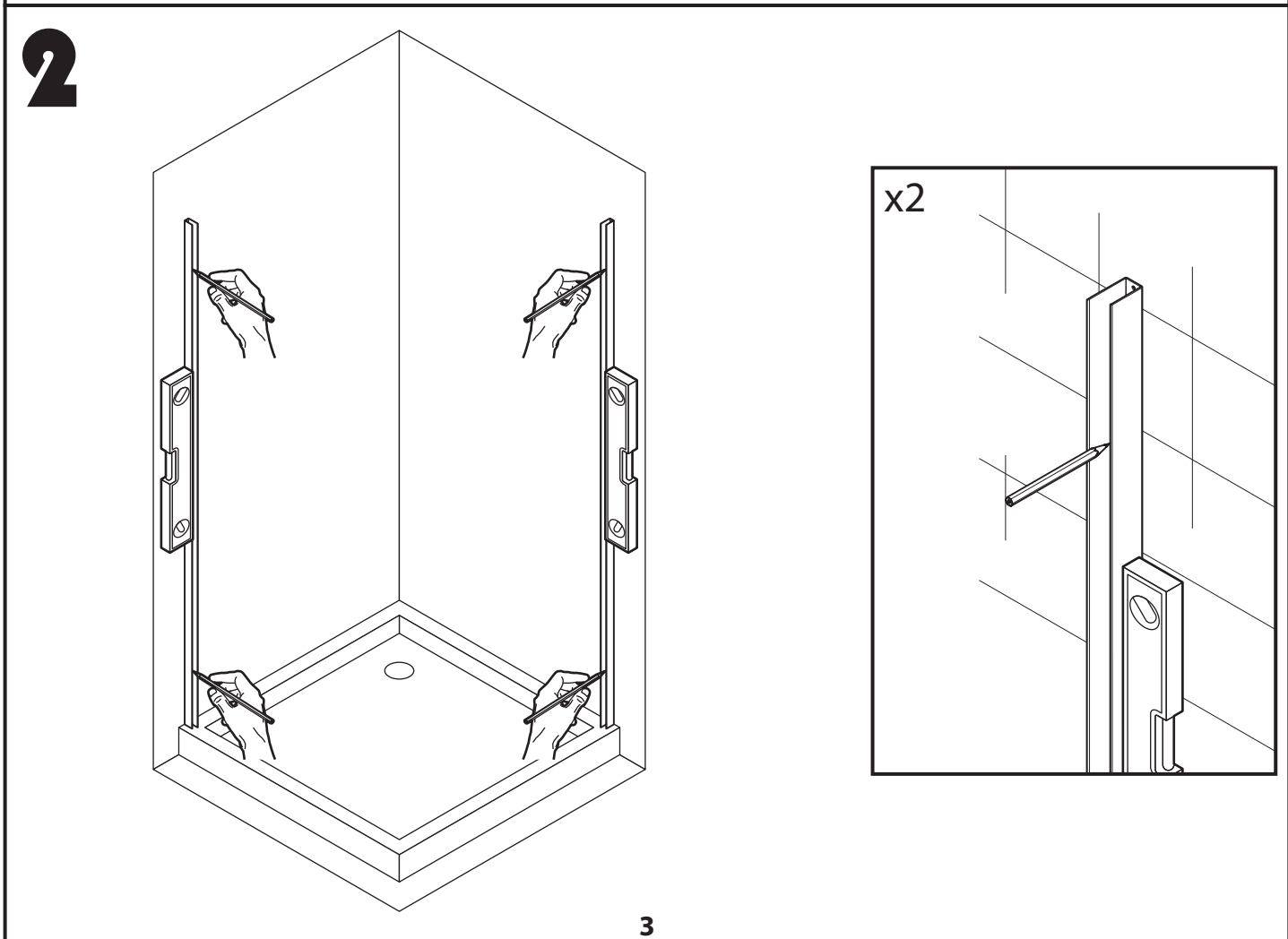
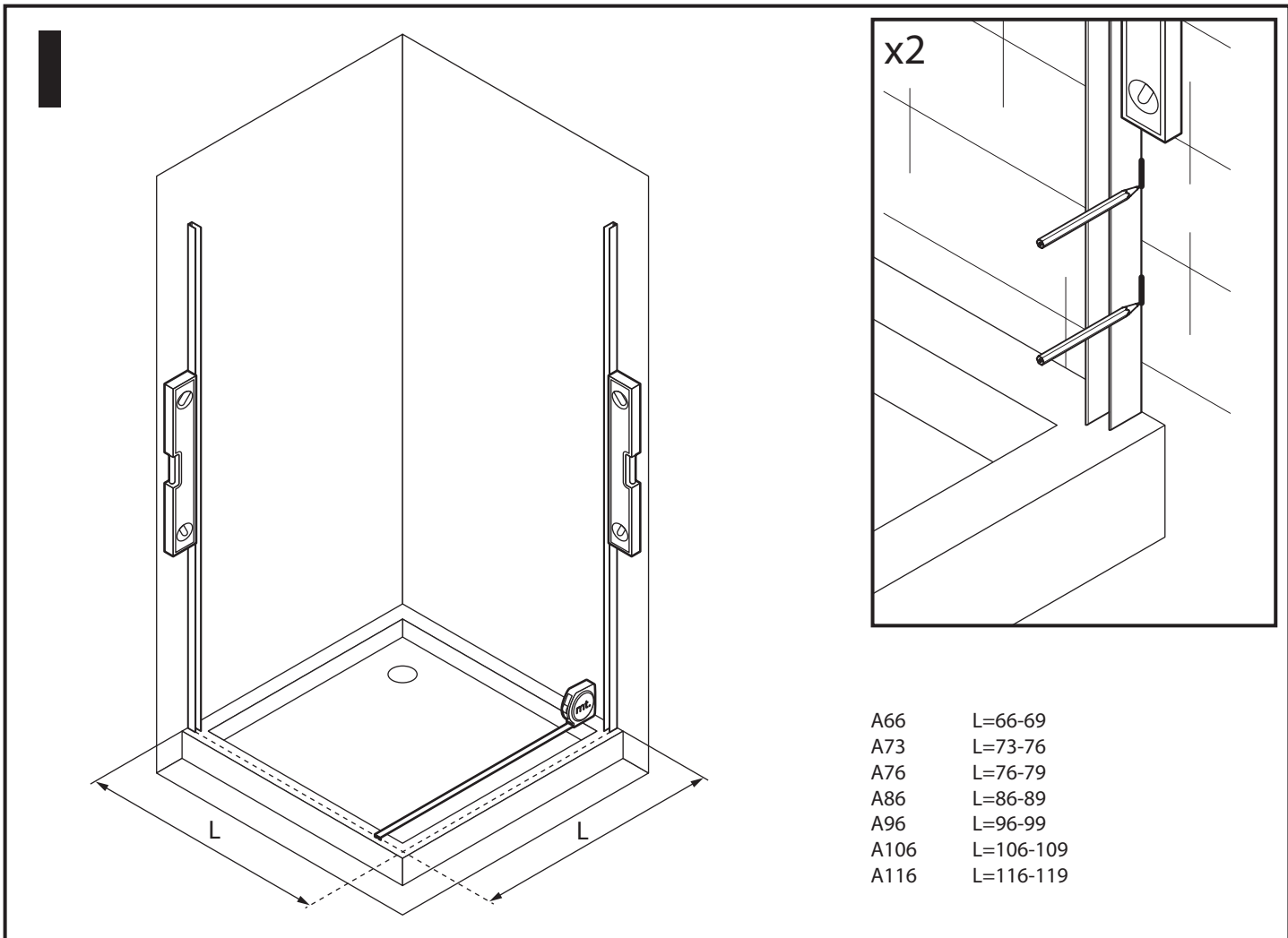


A



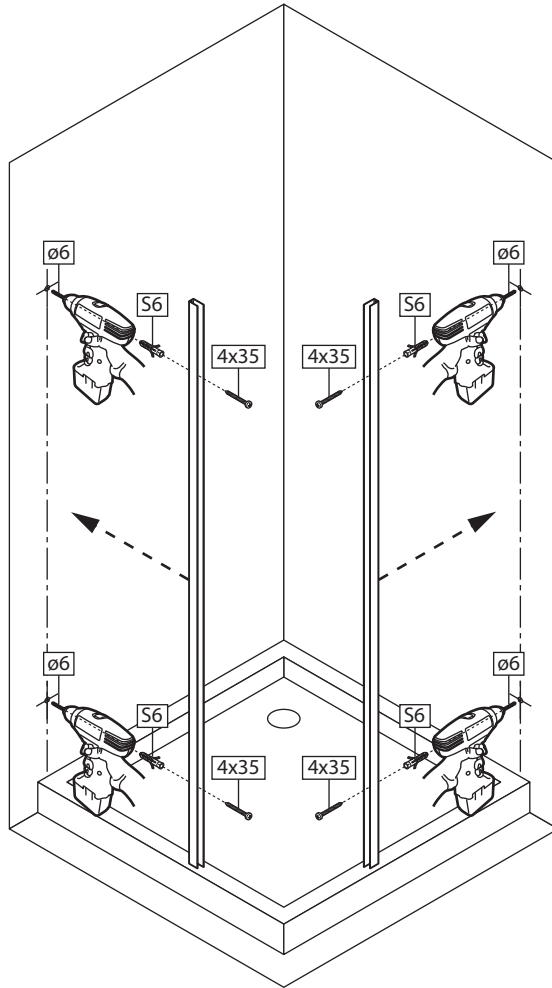
<hr/> <hr/> <hr/> <hr/>	<hr/> <hr/> <hr/> <hr/>
-------------------------	-------------------------



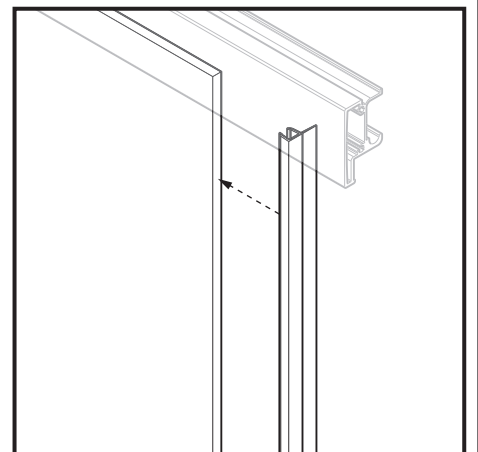
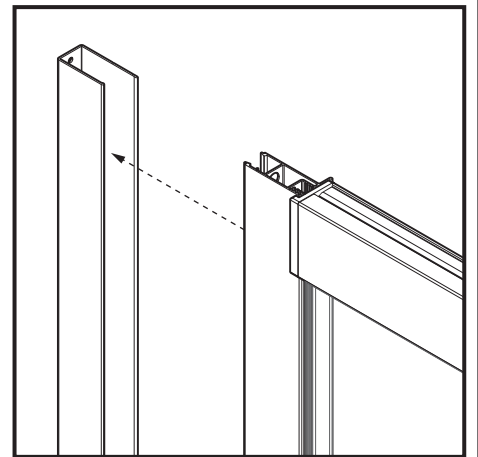
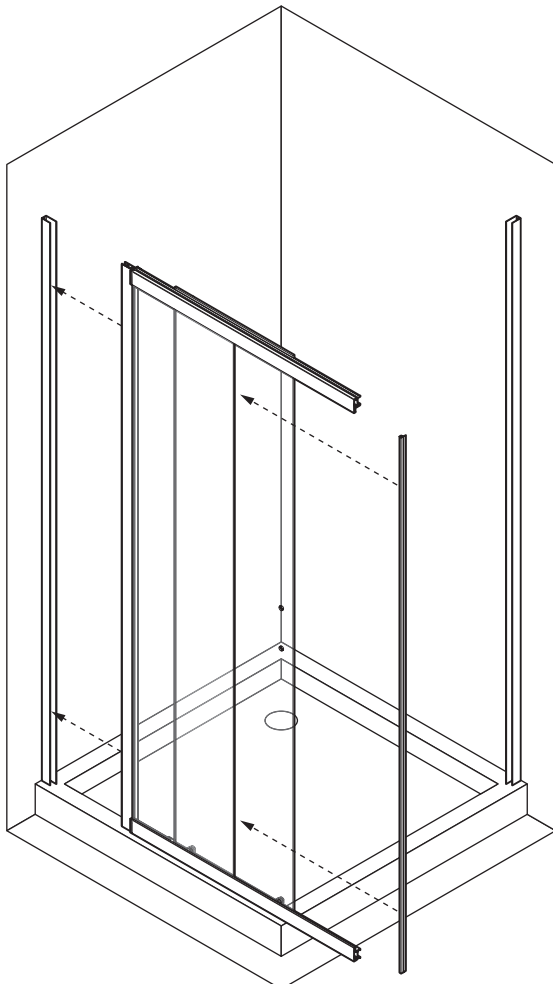


3

 $\varnothing 6$ mm

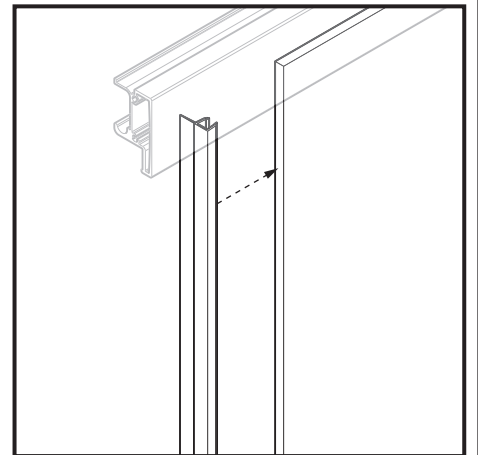
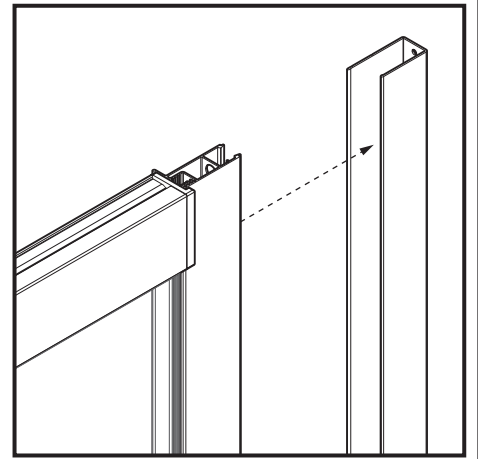
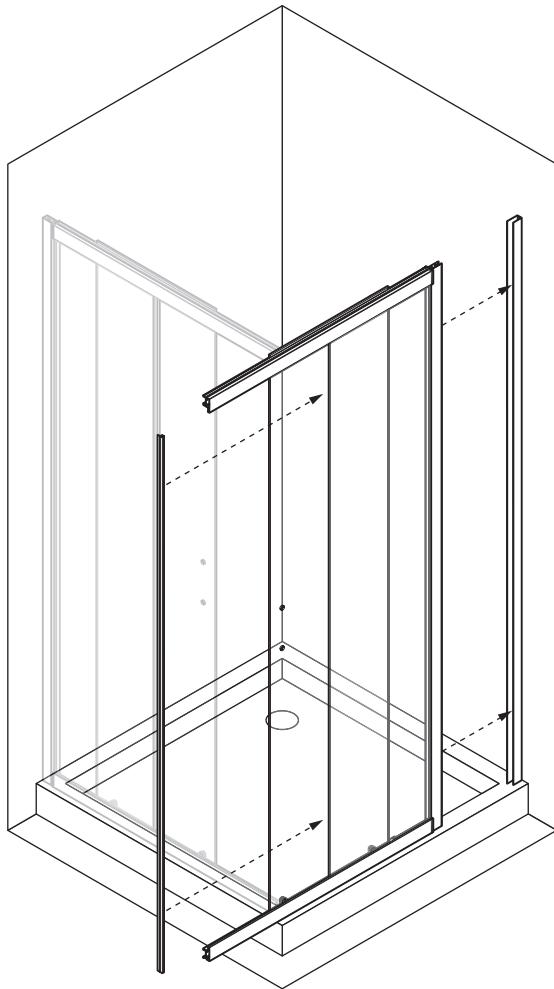


4

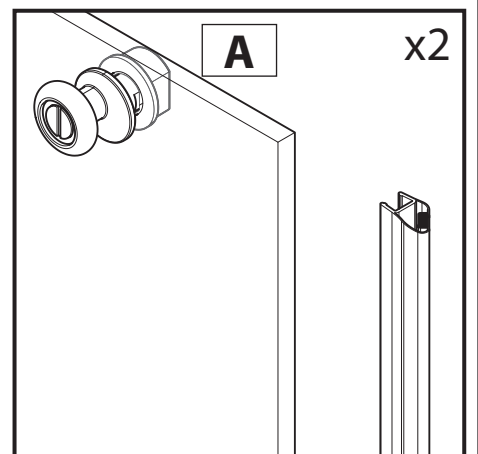
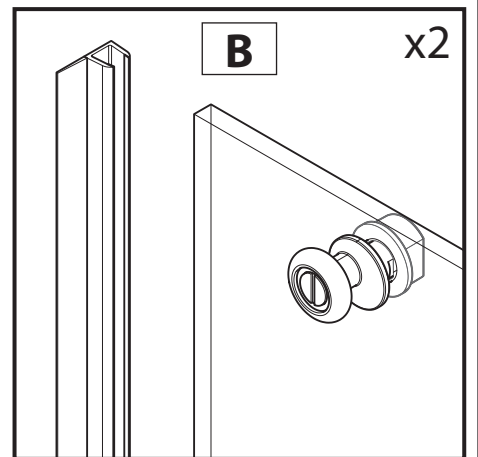
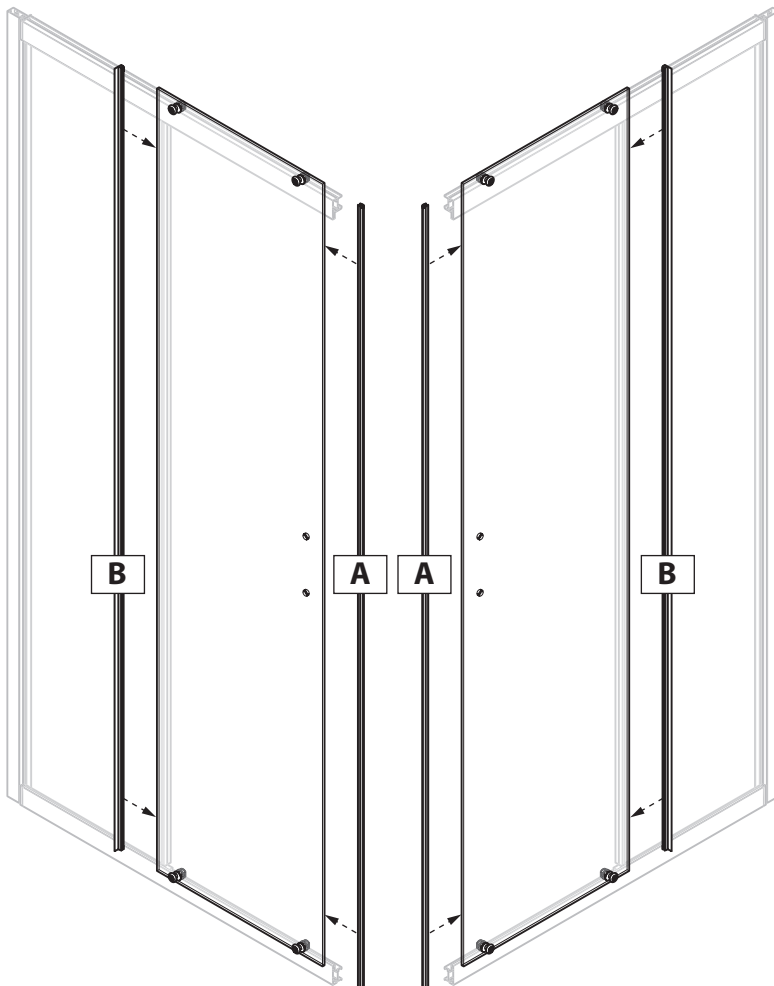


4

5

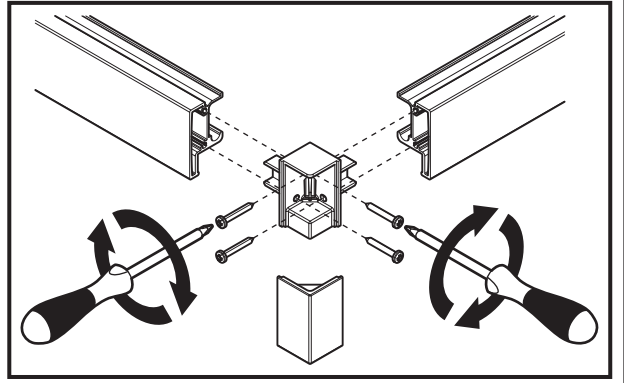
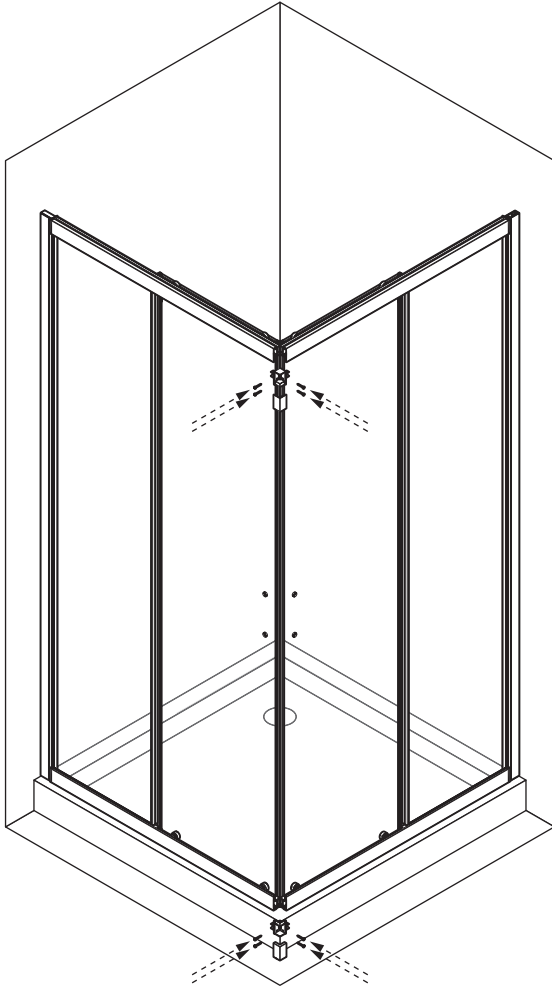



6

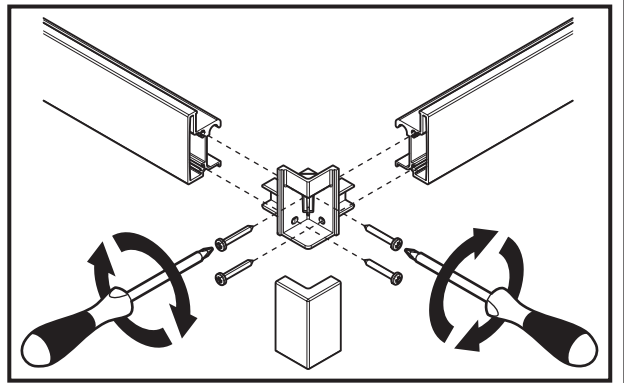


5

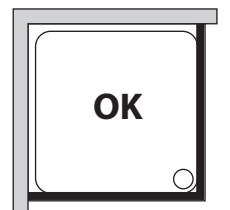
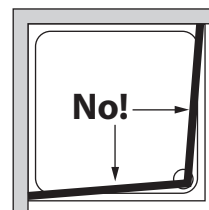
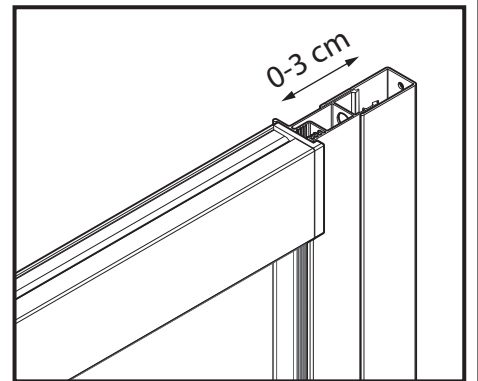
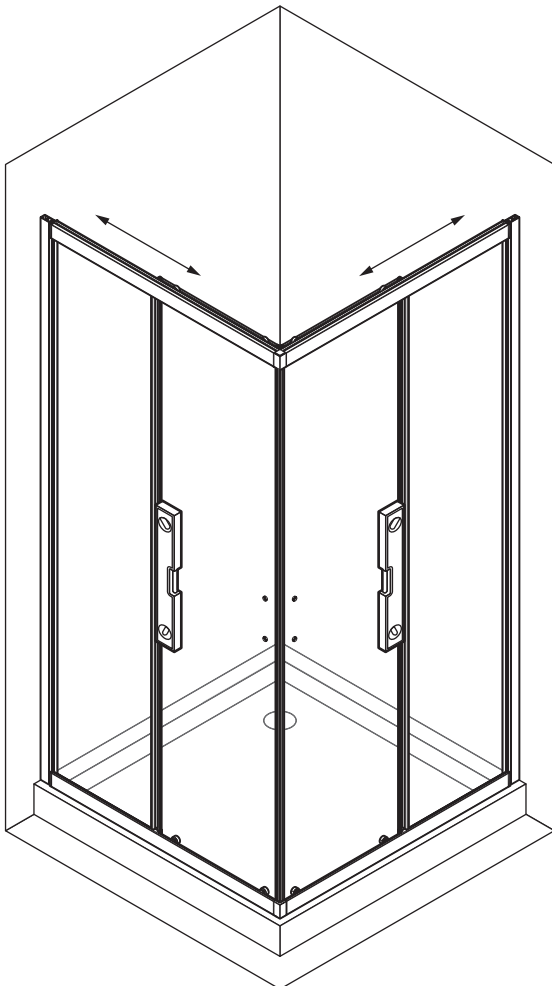
7



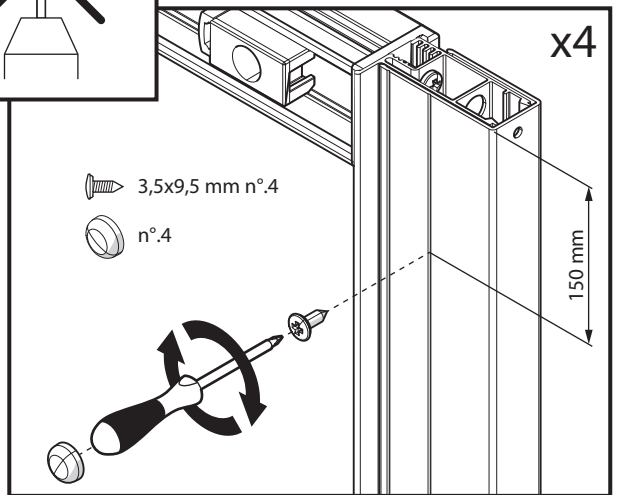
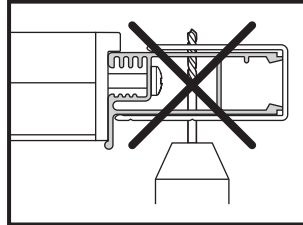
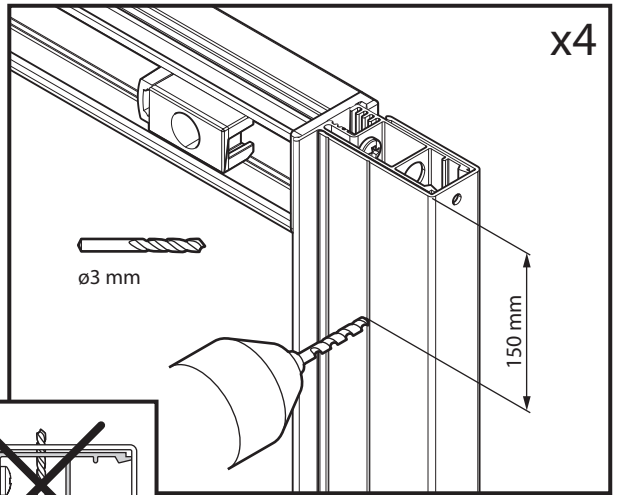
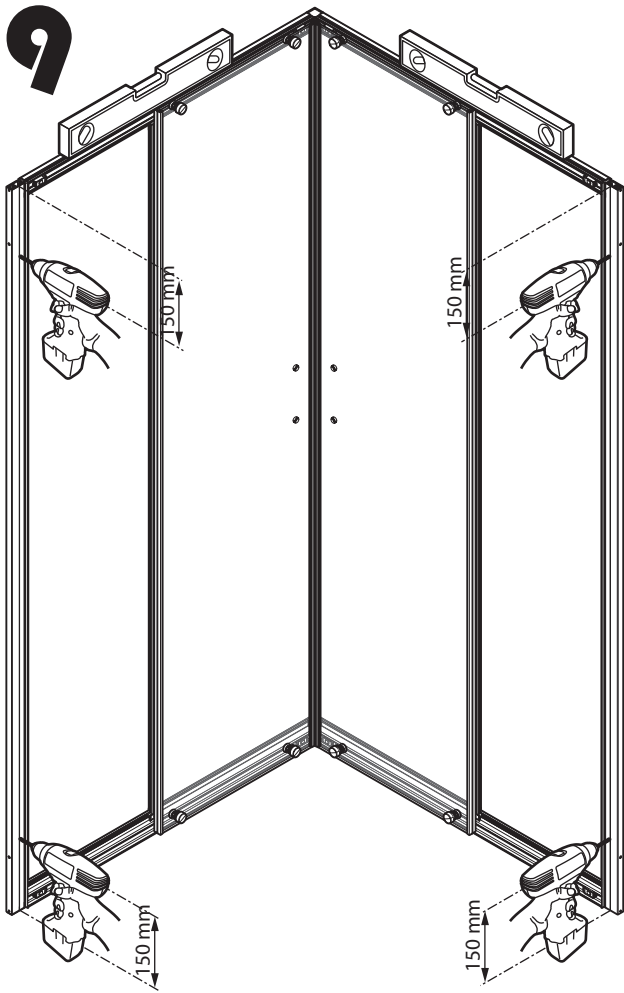

3,5x25 mm n°8



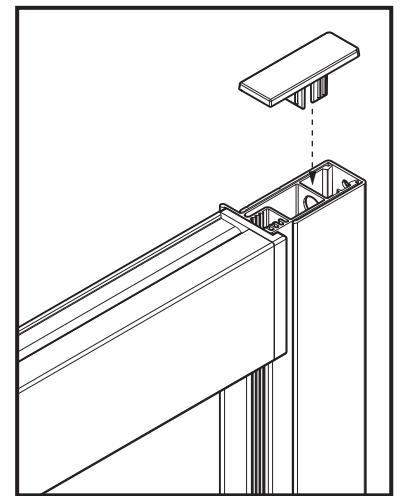
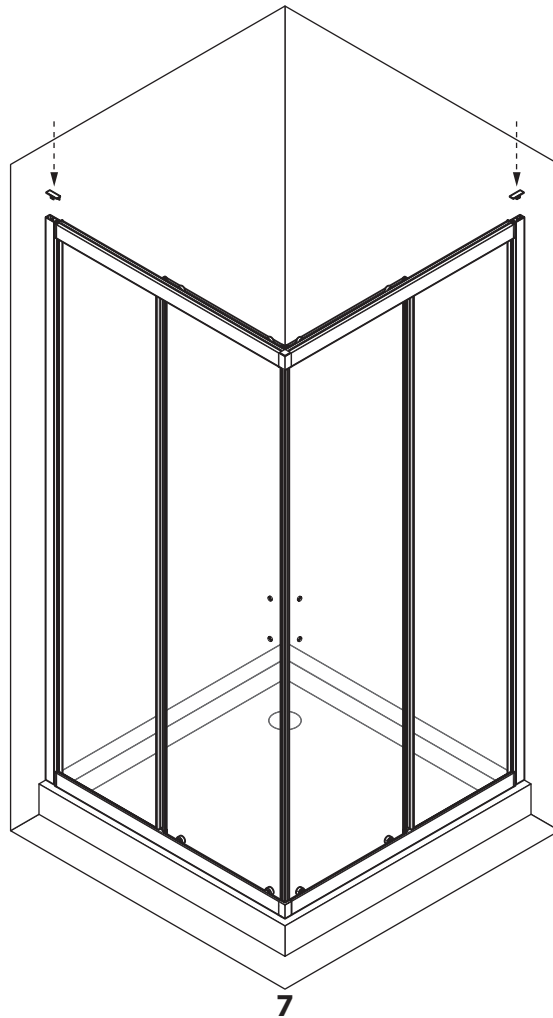
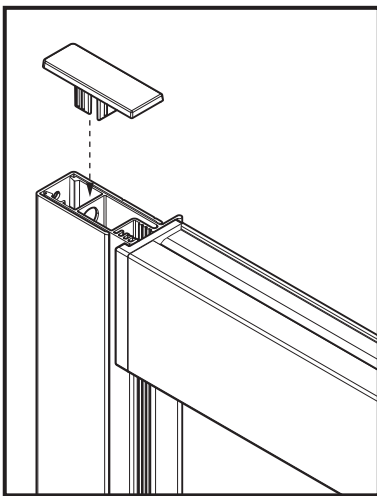
8



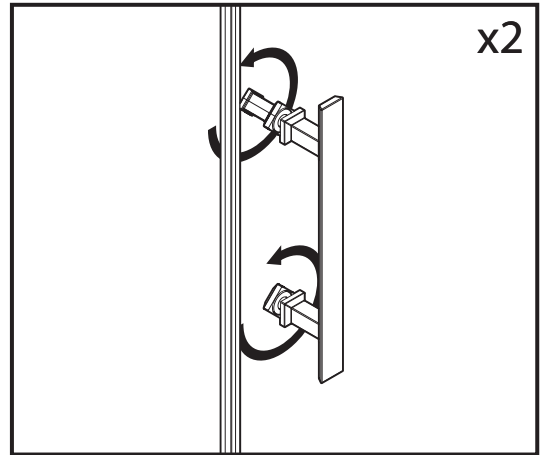
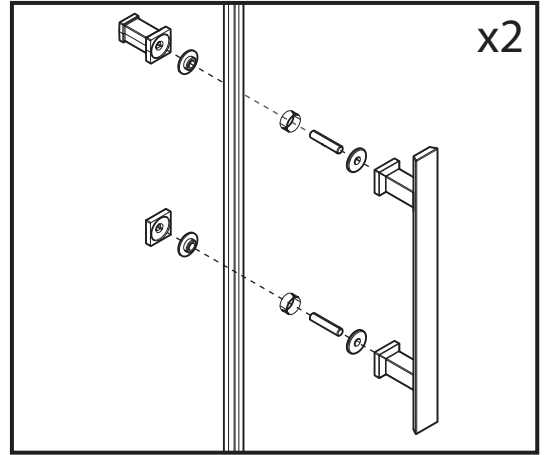
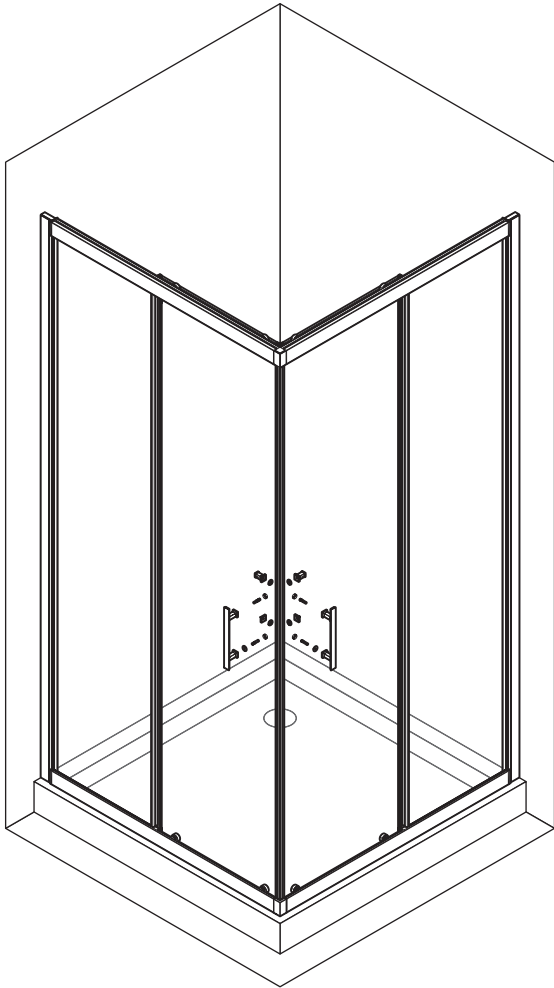
9



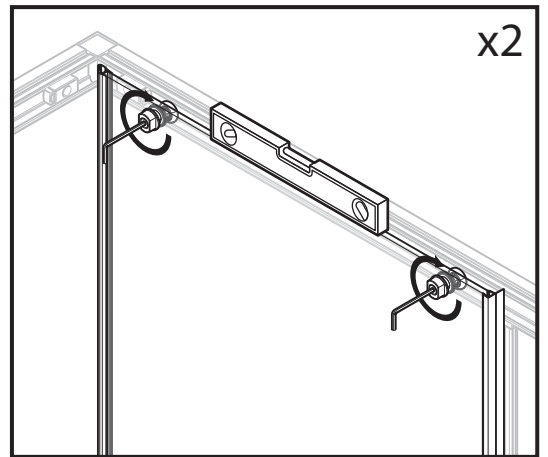
10



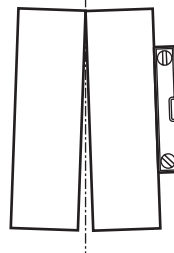
1



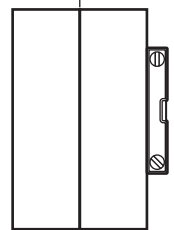
12



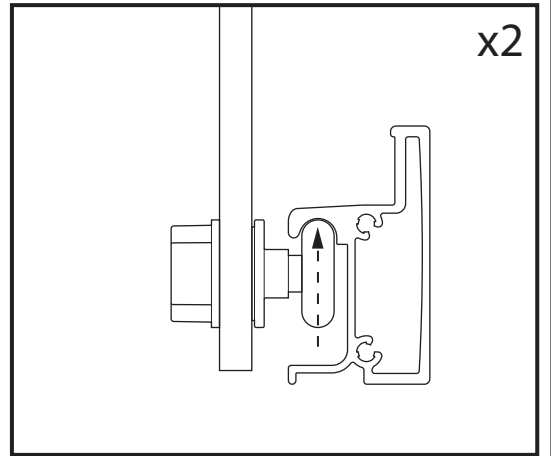
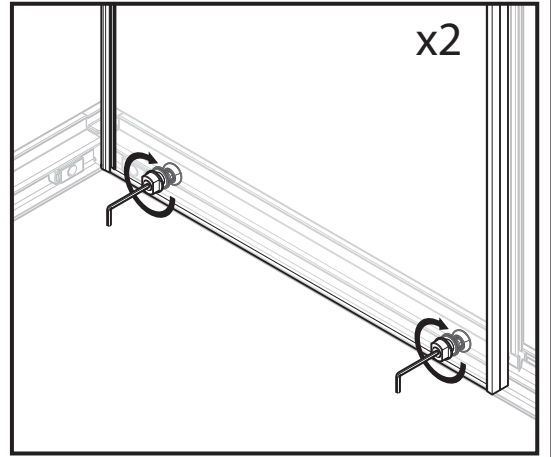
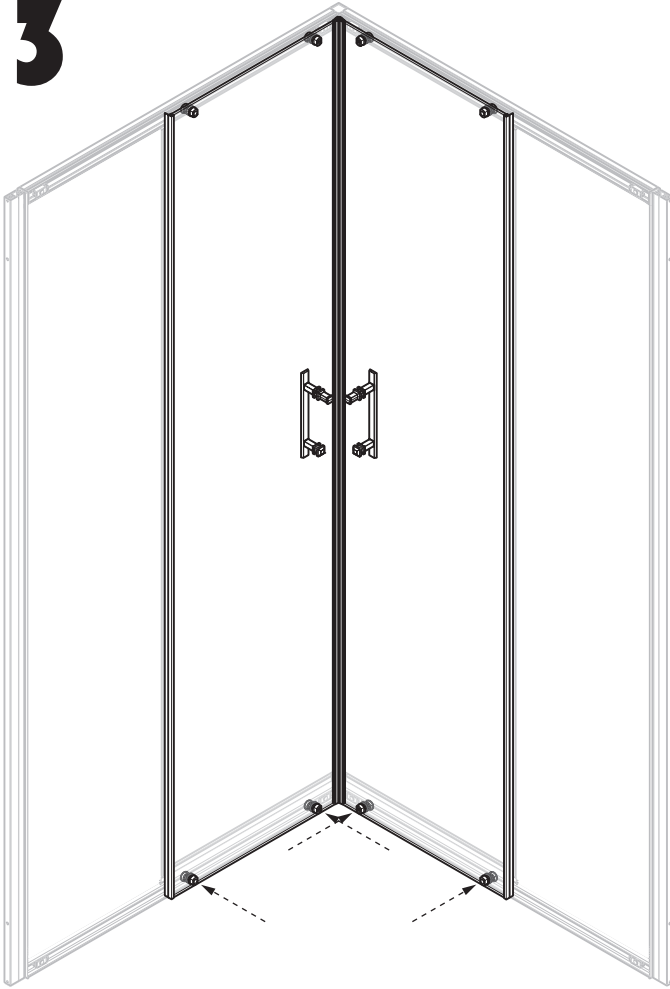
No!



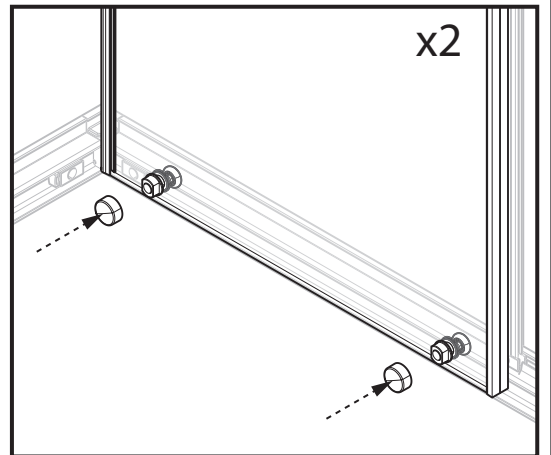
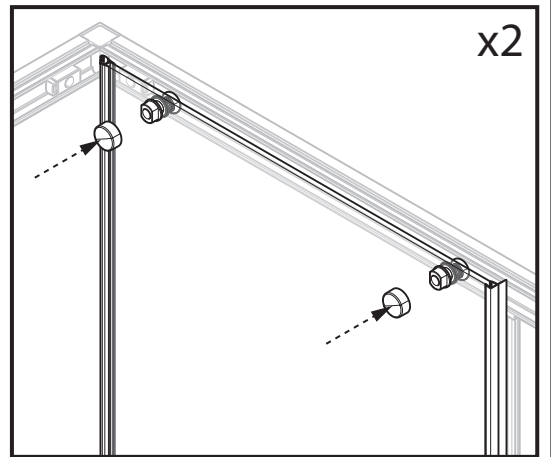
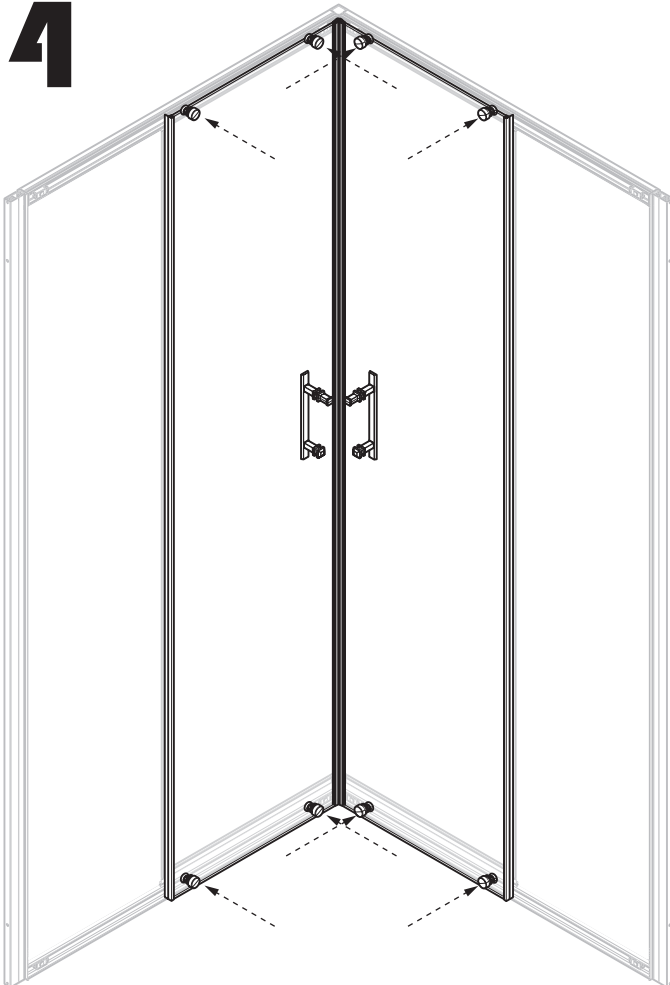
OK



13



14



15

