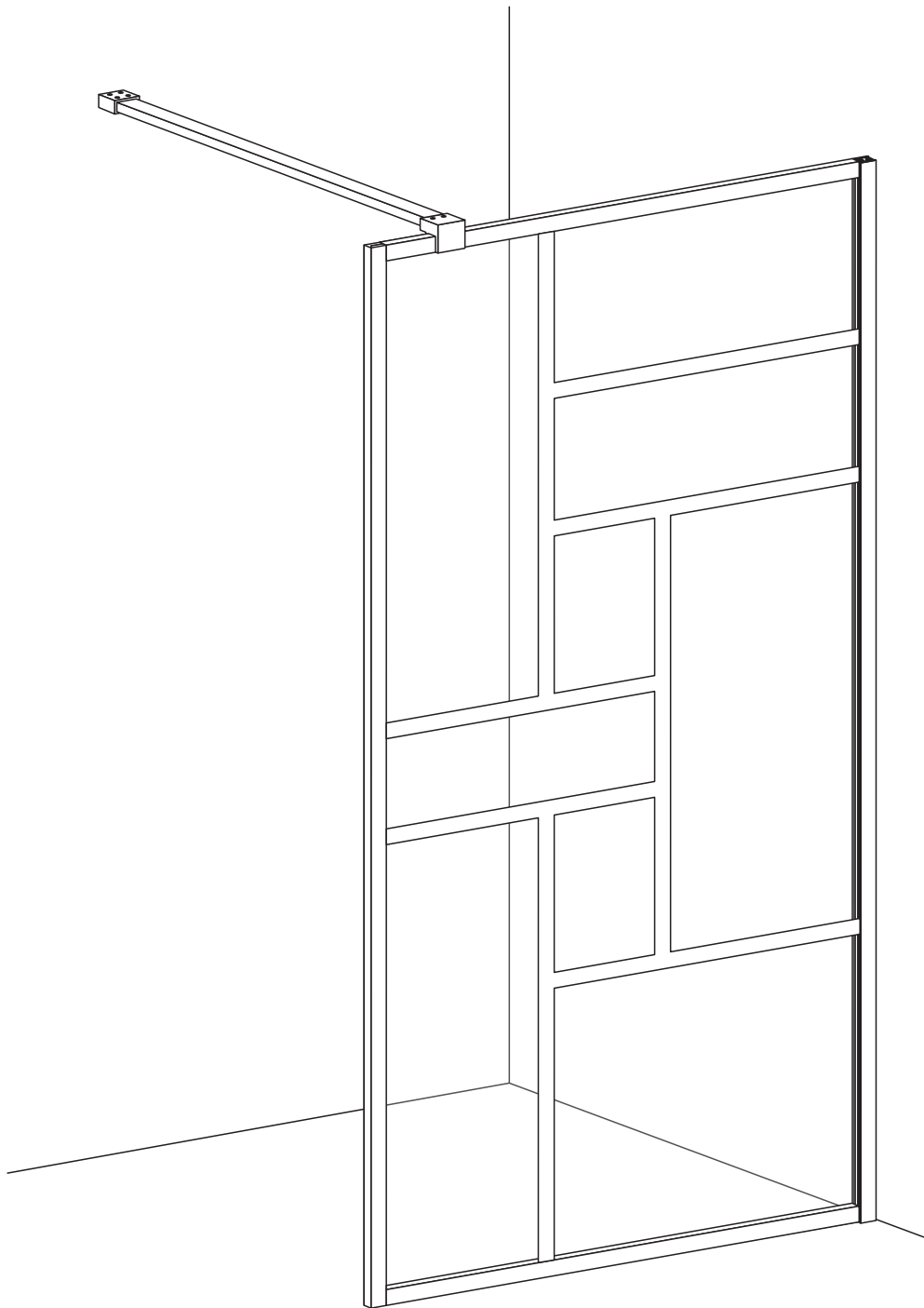


Installation instructions

Model: BR-7008E 100*190
Cod Romstal: 79CD4200

Model: BR-7008E 120*190
Cod Romstal: 79CD4201

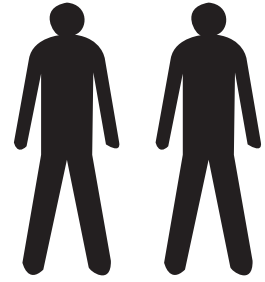


Installation instructions

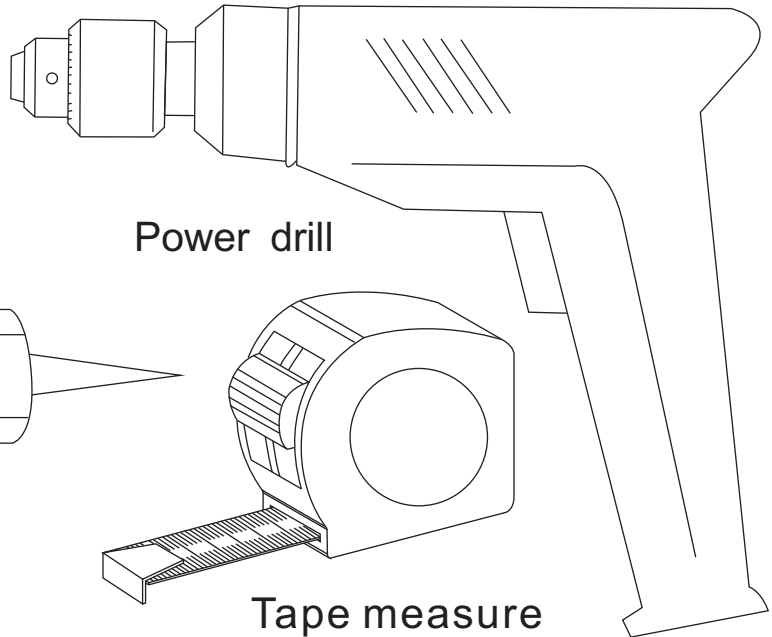
TOOLS REQUIRED(NOT SUPPLIED)

when you're ready to start,make sure that you have the following tools to hand,plenty of space and a clean dry area for assembly.

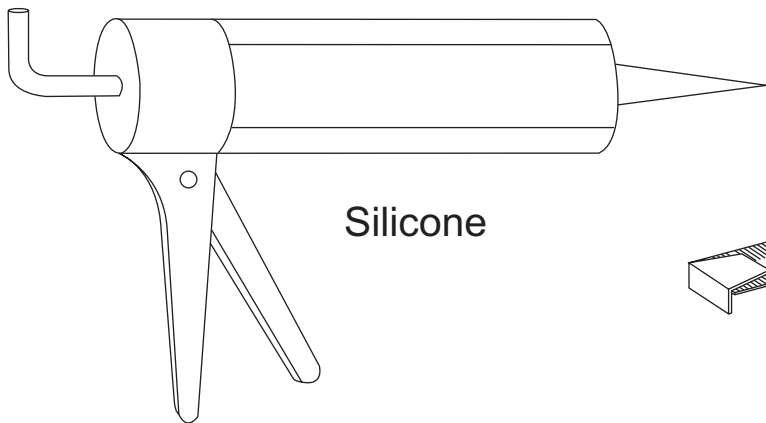
Two people are needed. Please note:although these instructions are comprehensive,We always recommend that a technically competent installer should undertake installation.



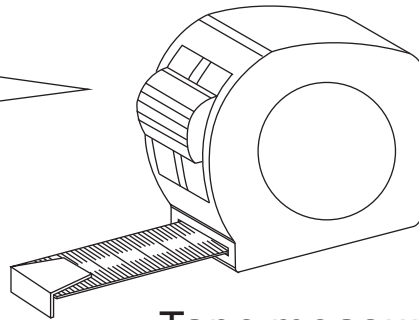
Drill bit to suit wall type
5.5mm



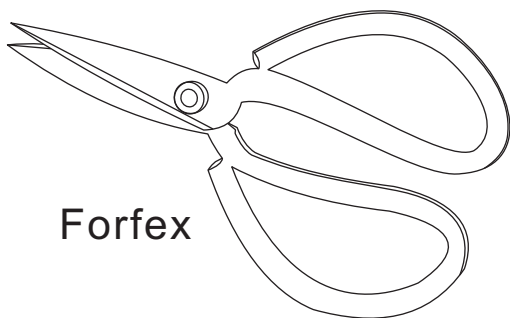
Power drill



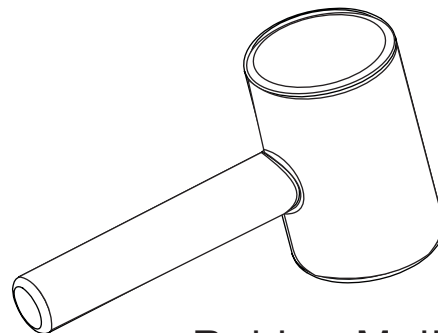
Silicone



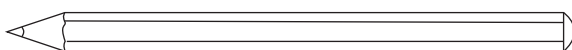
Tape measure



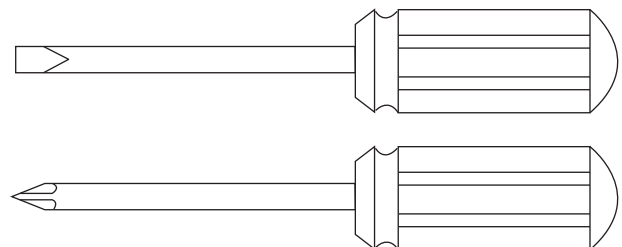
Forfex



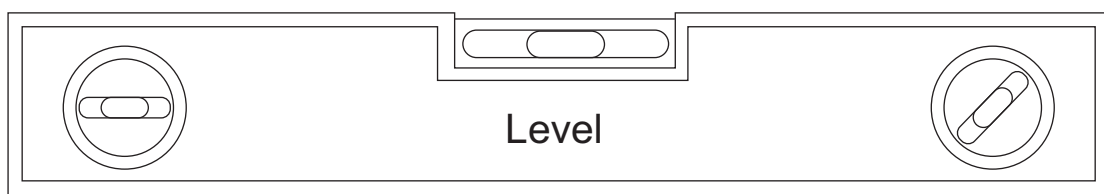
Rubber Mallet



Pencil

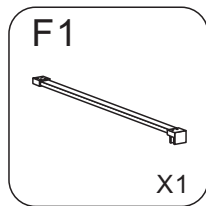
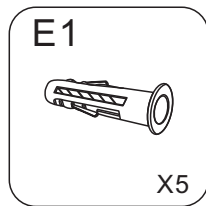
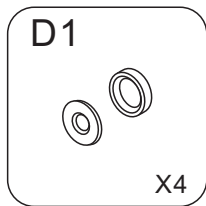
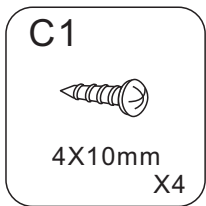
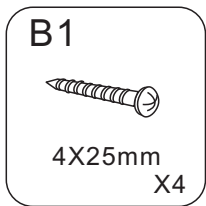
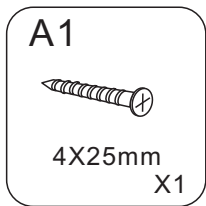
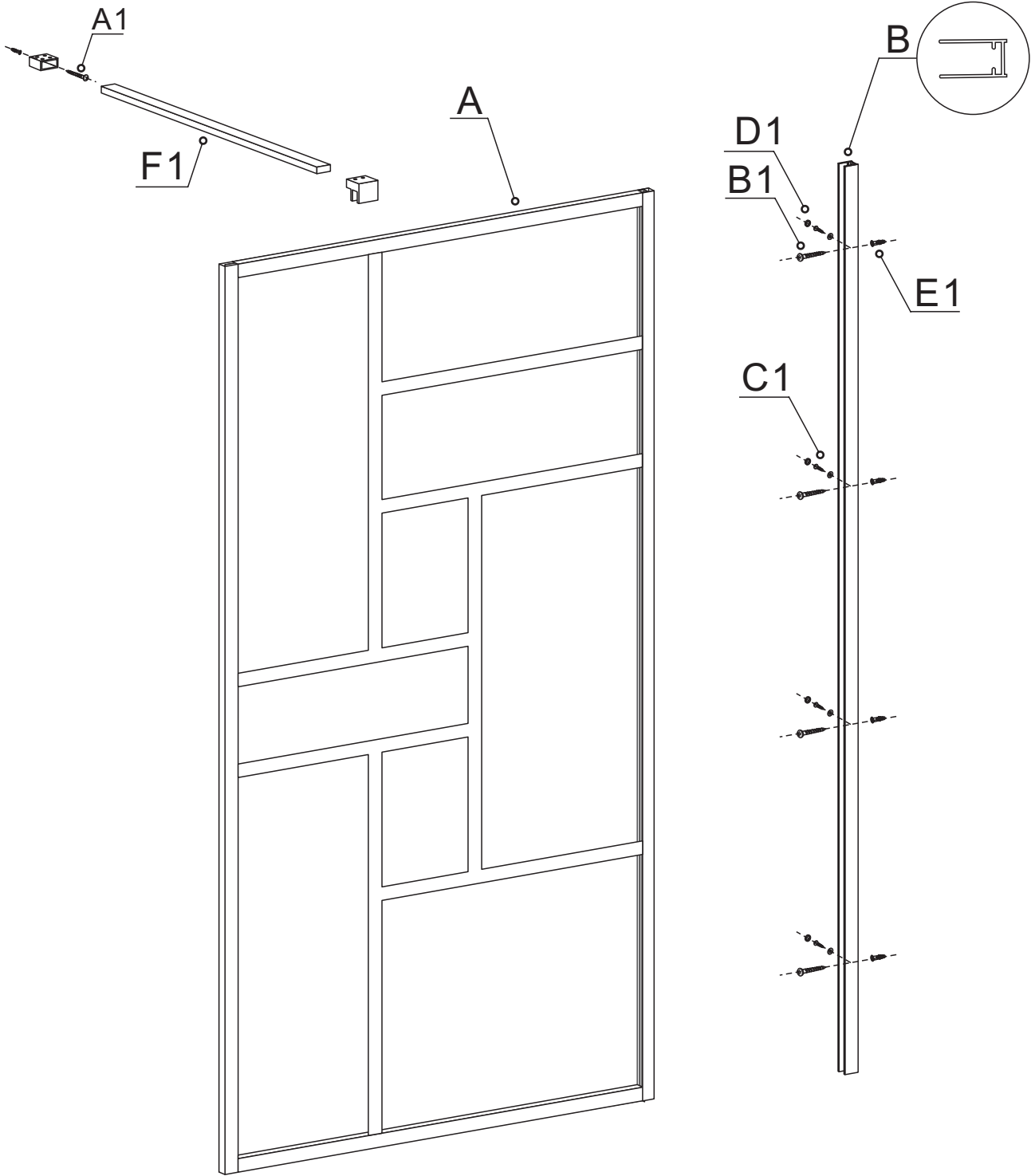


Magnetic cross head screw driver



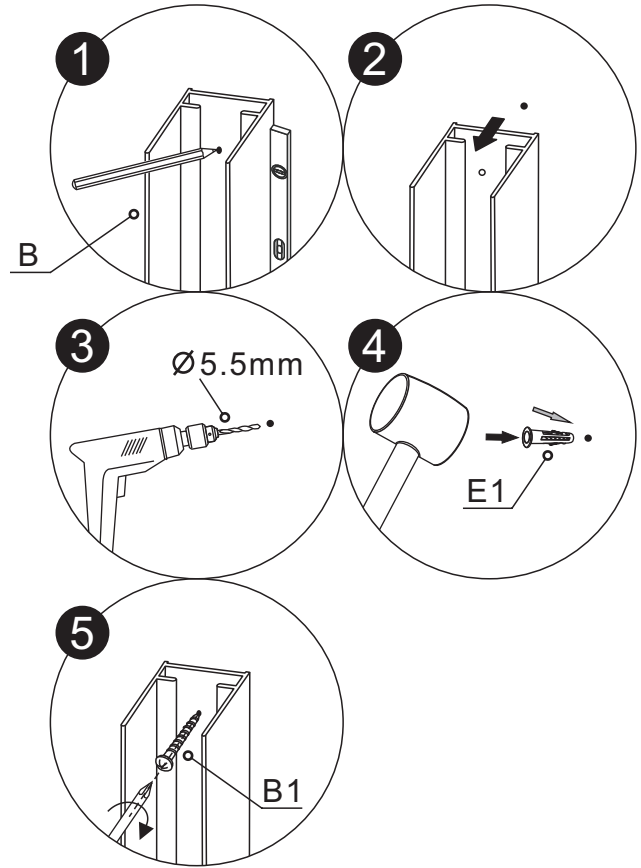
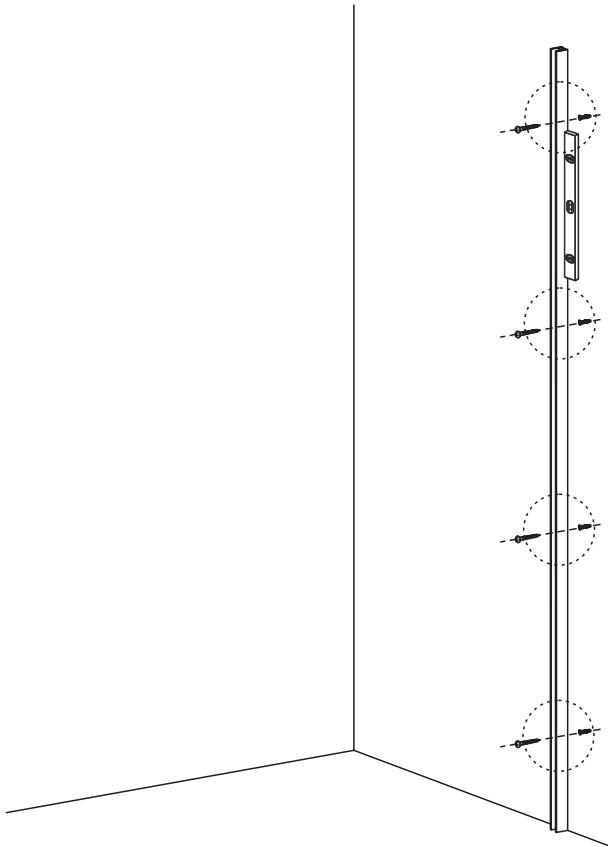
Level

Installation instructions

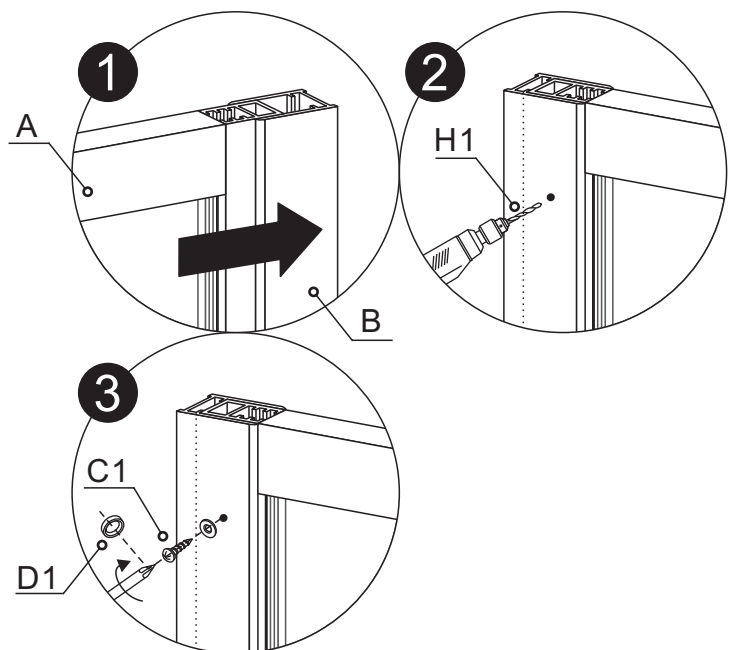
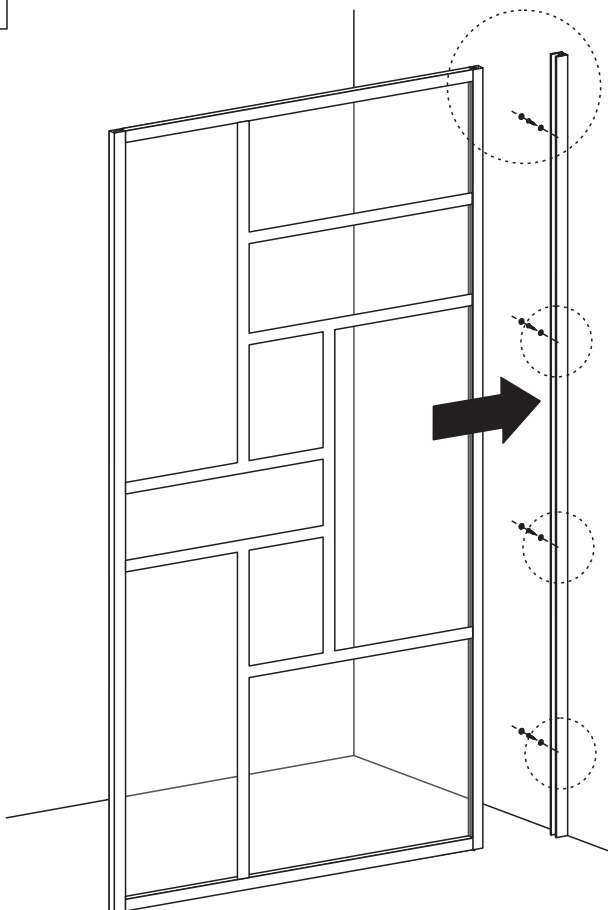


Installation instructions

1

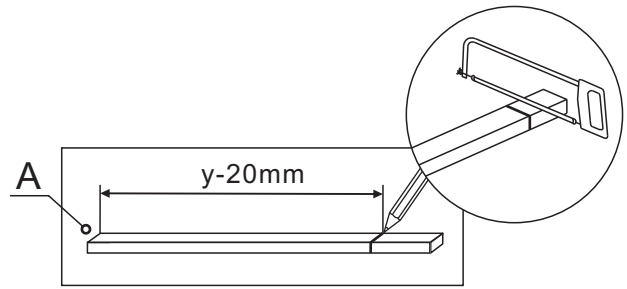
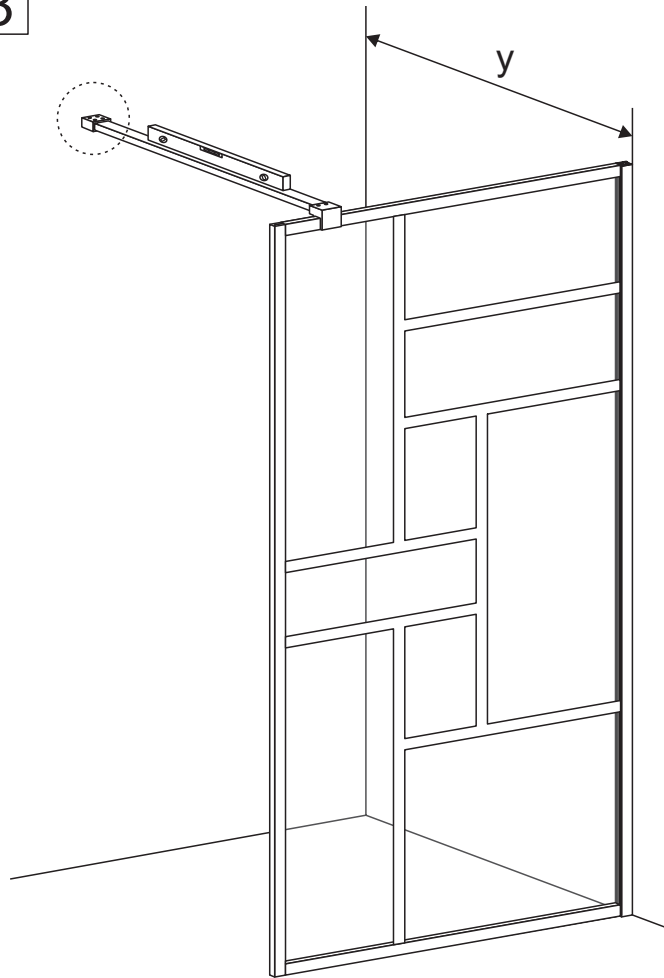


2

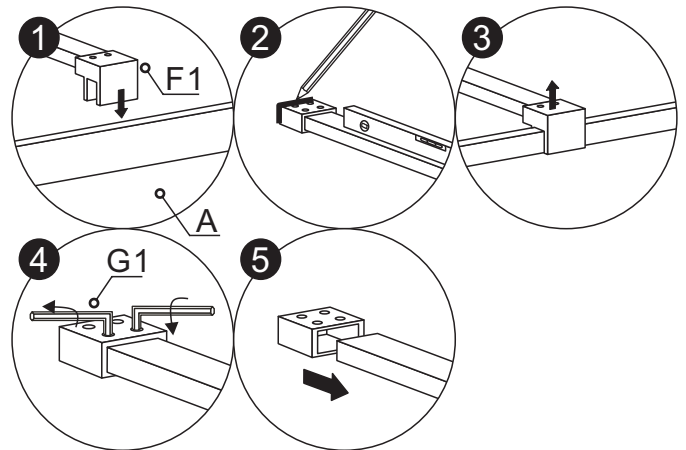


Installation instructions

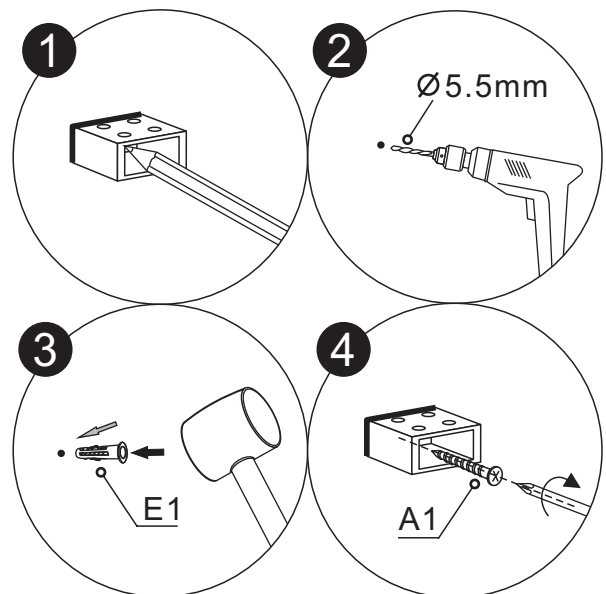
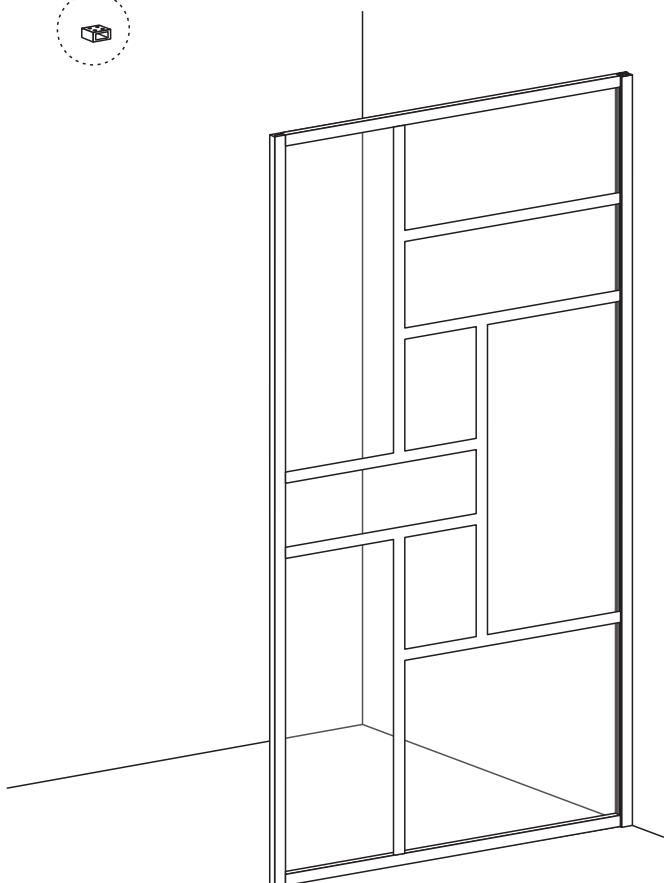
3



Note: You can cut the support bar to your required length.

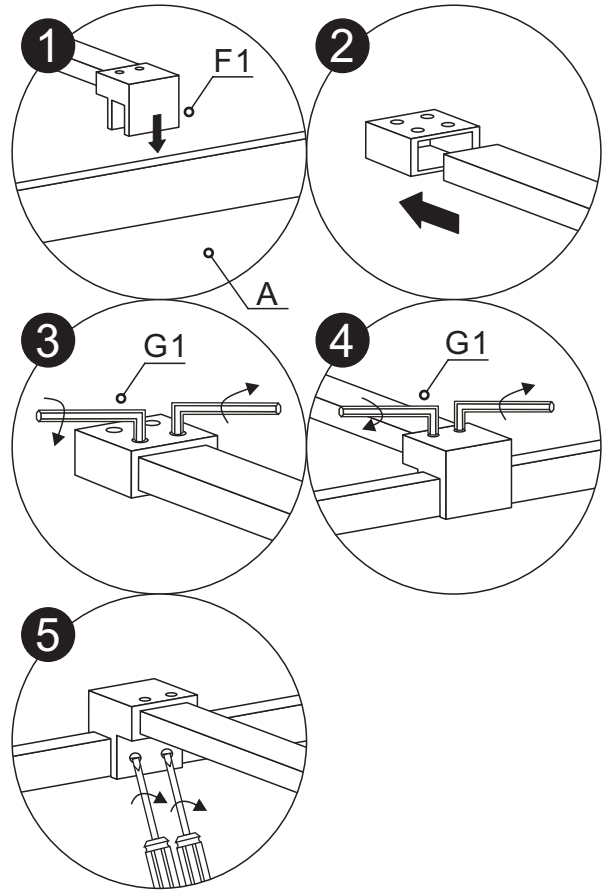
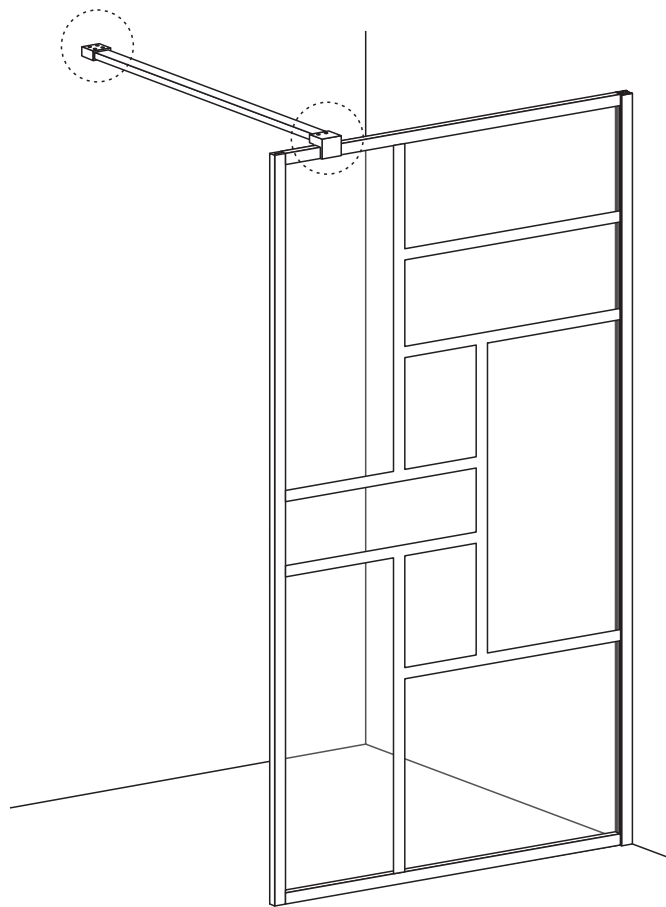


4



Installation instructions

5



6

