

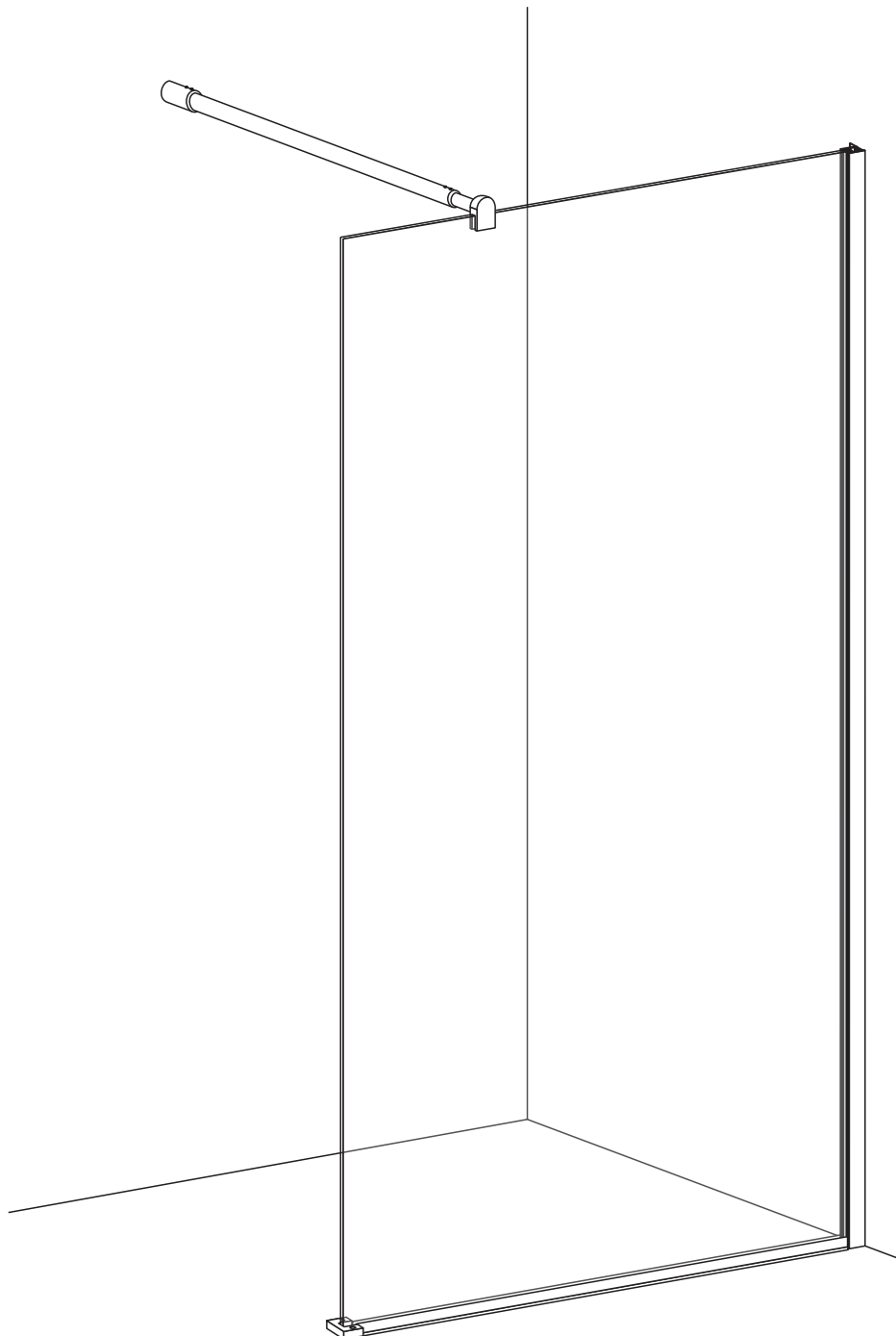
Installation instructions

Model: BR-7008 80*190
Cod Romstal: 79CD4202

Model: BR-7008 90*190
Cod Romstal: 79CD4203

Model: BR-7008 100*190
Cod Romstal: 79CD4204

Model: BR-7008 120*190
Cod Romstal: 79CD4205

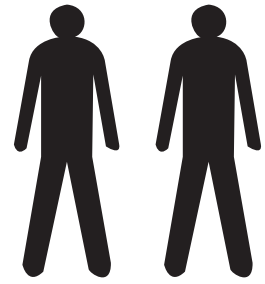


Installation instructions

TOOLS REQUIRED(NOT SUPPLIED)

when you're ready to start,make sure that you have the following tools to hand,plenty of space and a clean dry area for assembly.

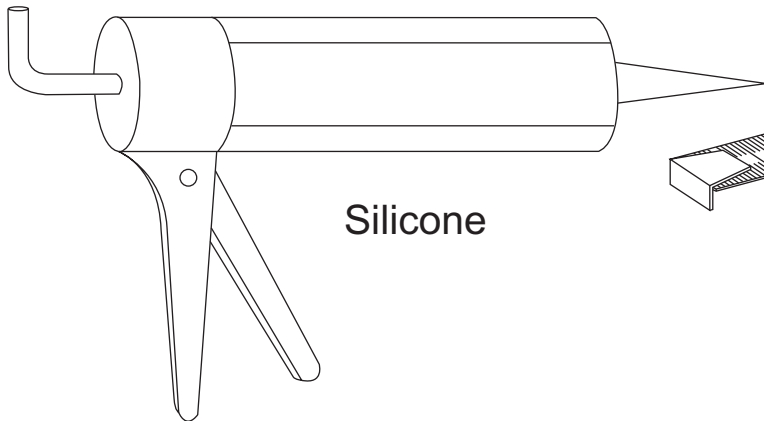
Two people are needed. Please note:although these instructions are comprehensive,We always recommend that a technically competent installer should undertake installation.



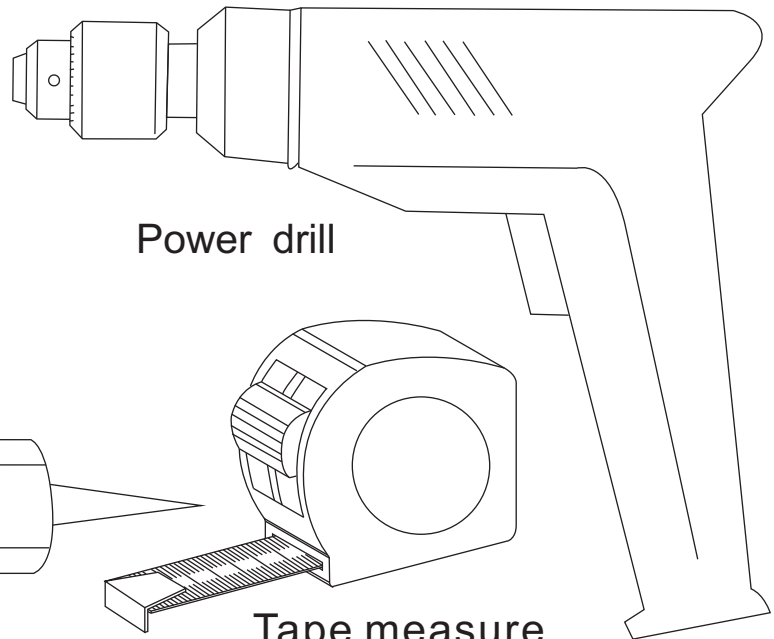
Drill bit to suit wall type
5.5mm



Drill bit to suit wall type
7.5mm

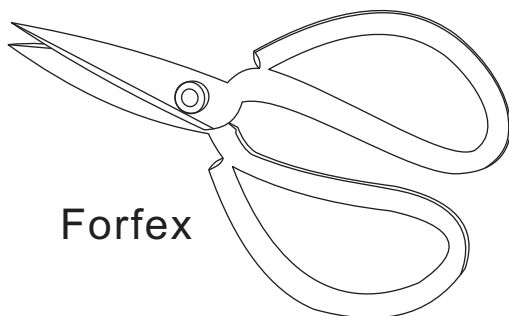


Silicone

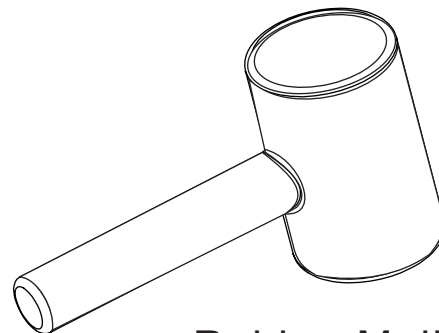


Power drill

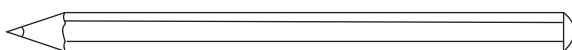
Tape measure



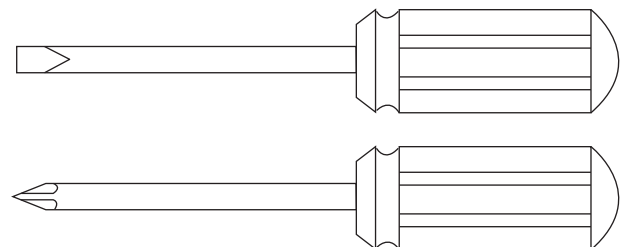
Forfex



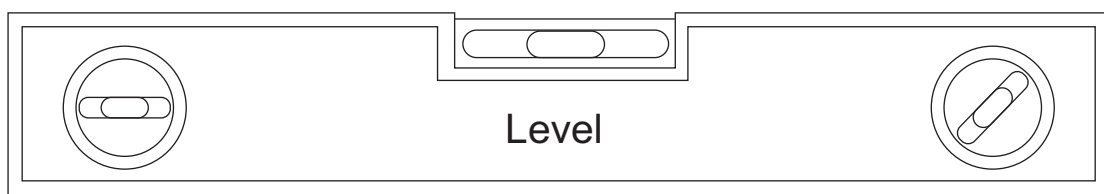
Rubber Mallet



Pencil

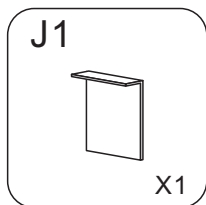
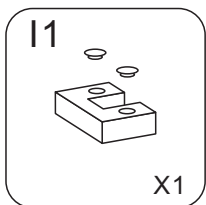
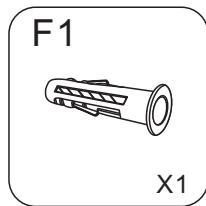
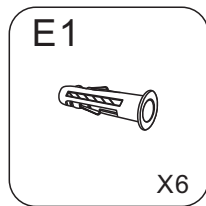
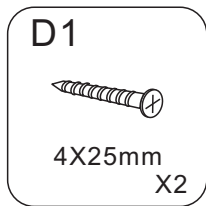
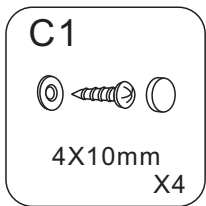
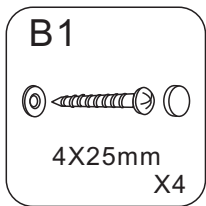
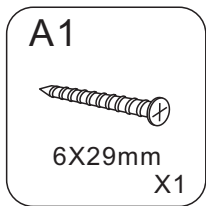
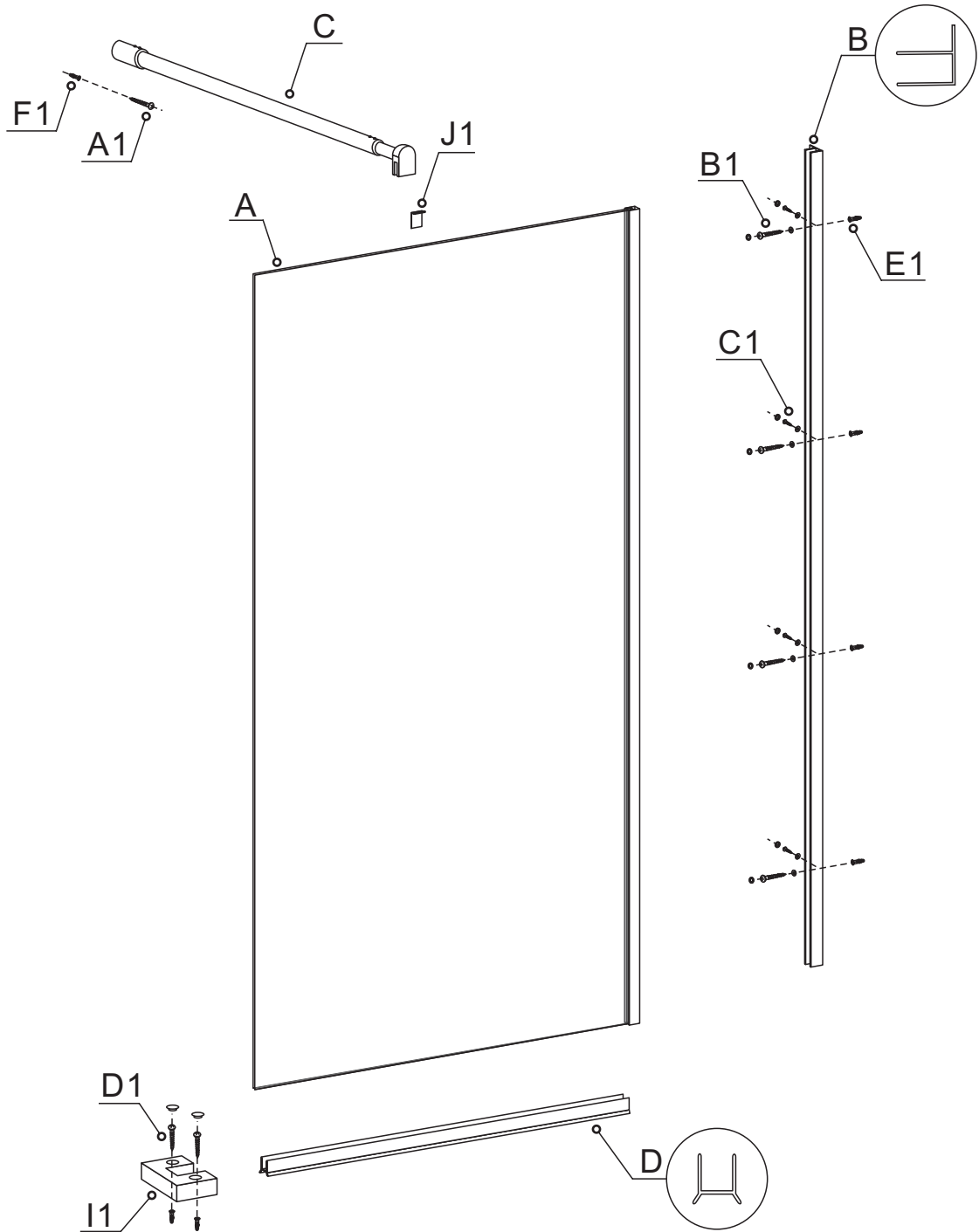


Magnetic cross head screw driver



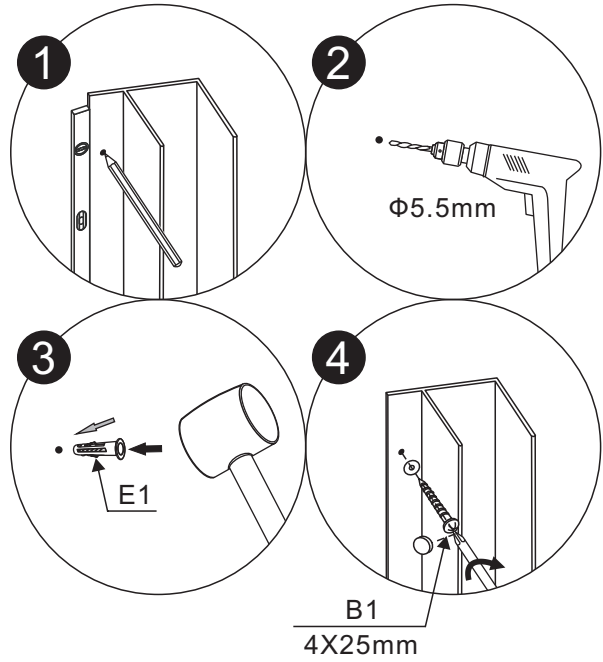
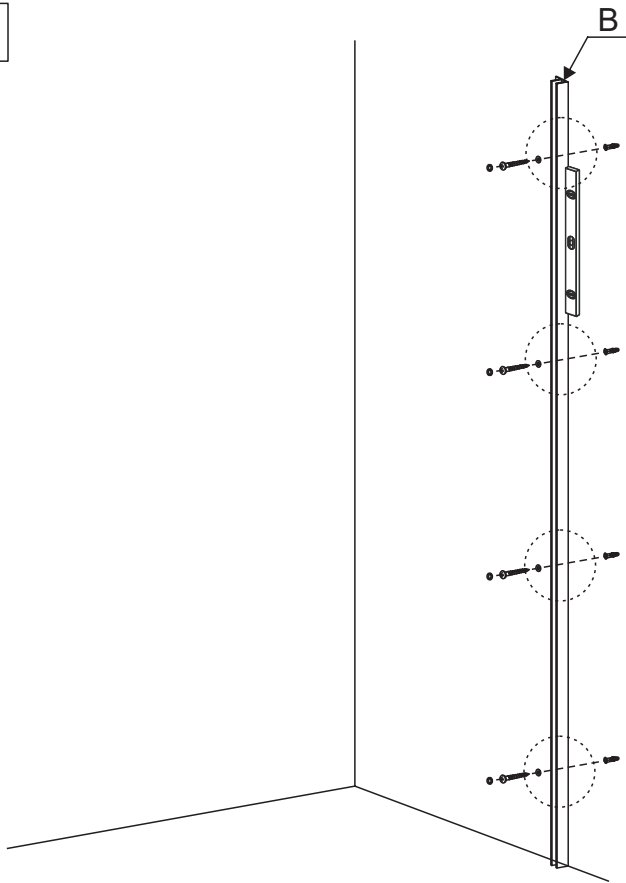
Level

Installation instructions

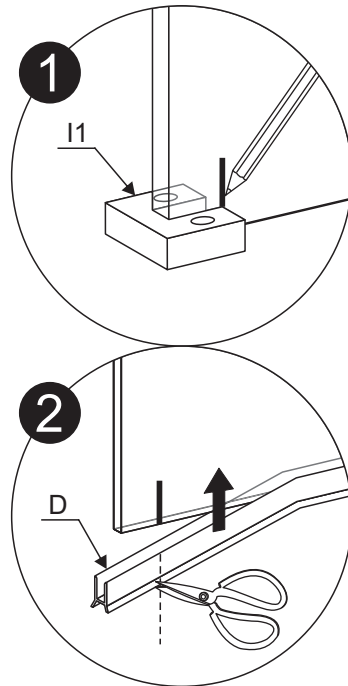
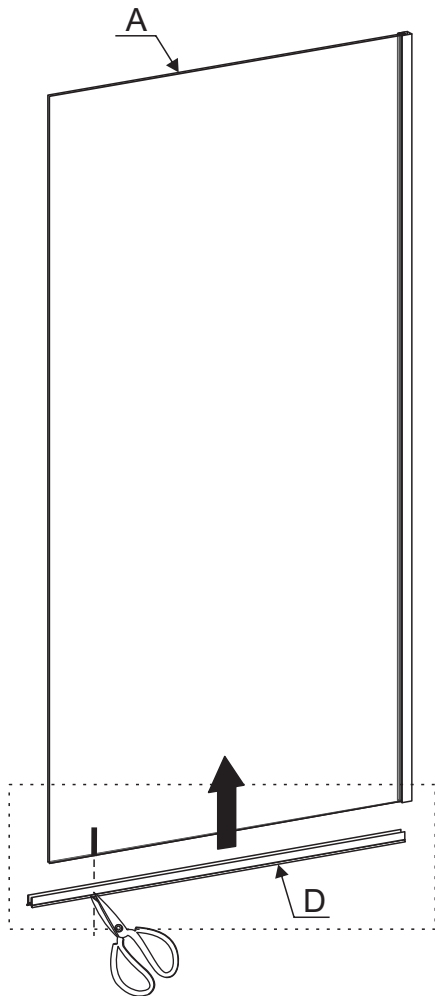


Installation instructions

1

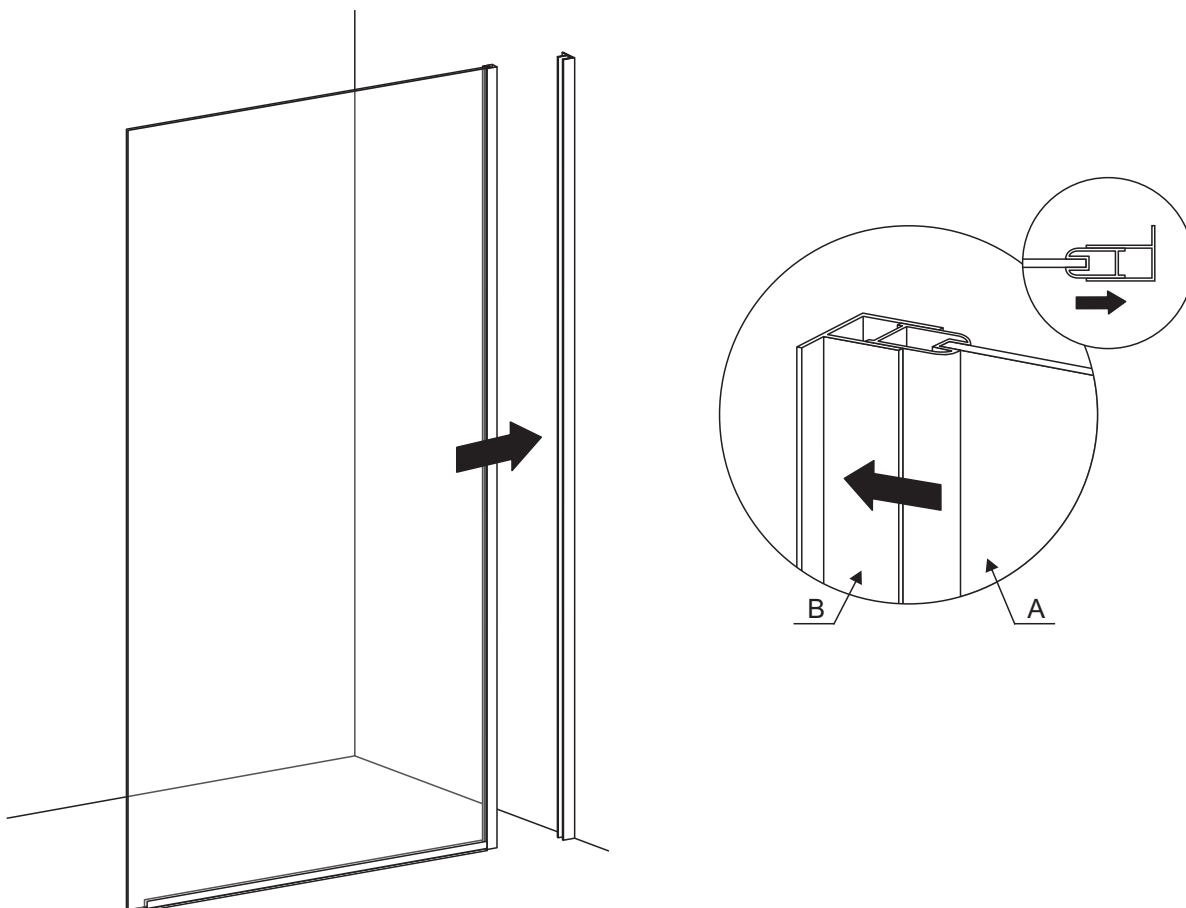


2

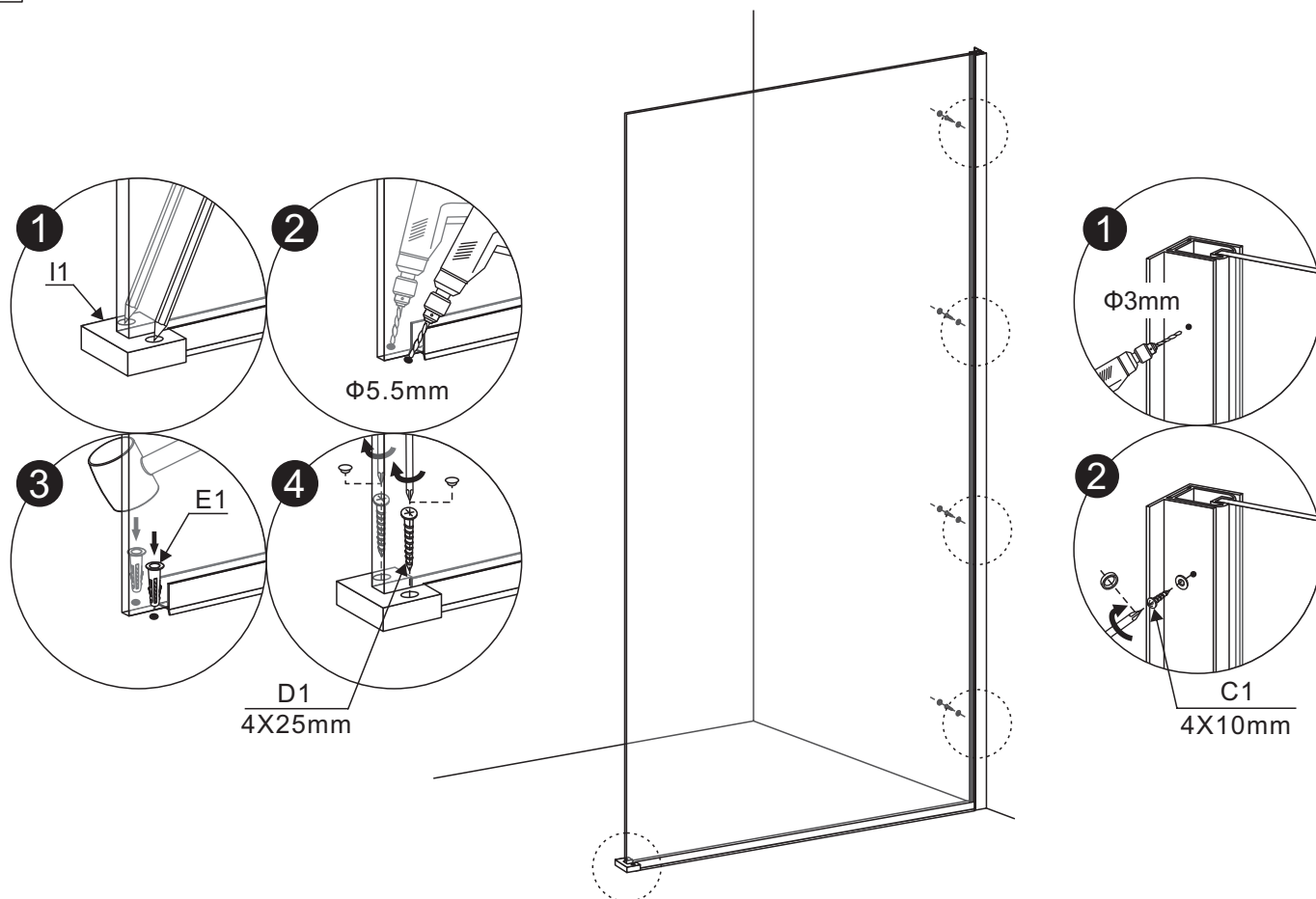


Installation instructions

3



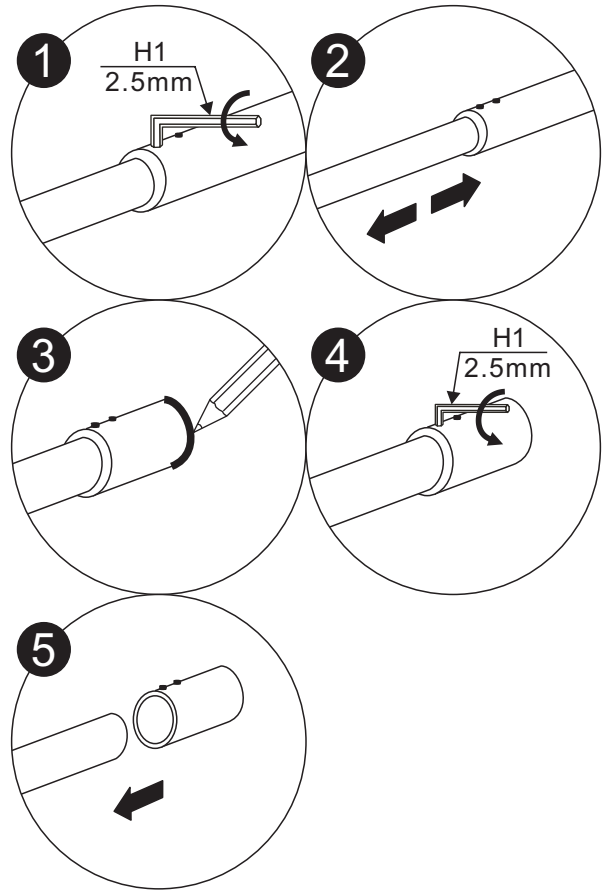
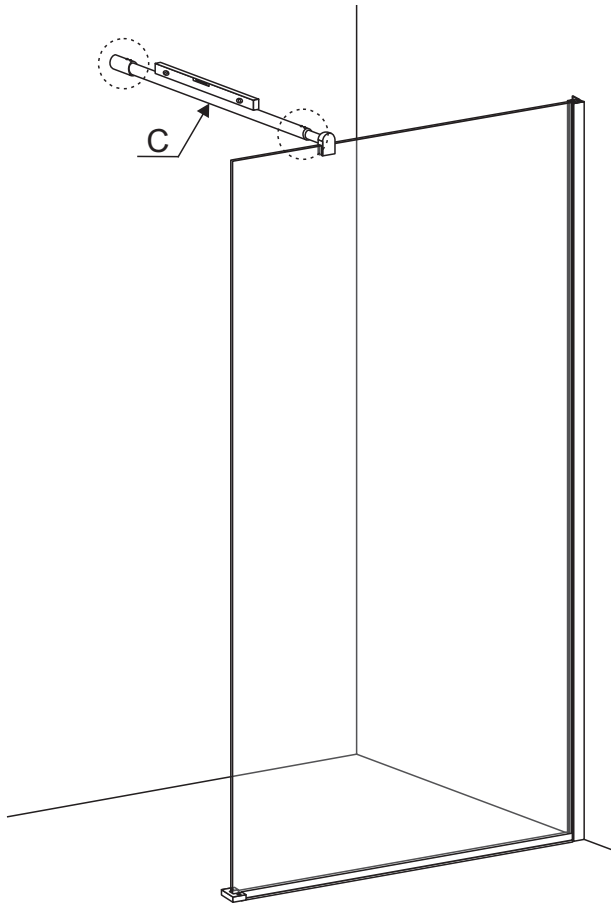
4



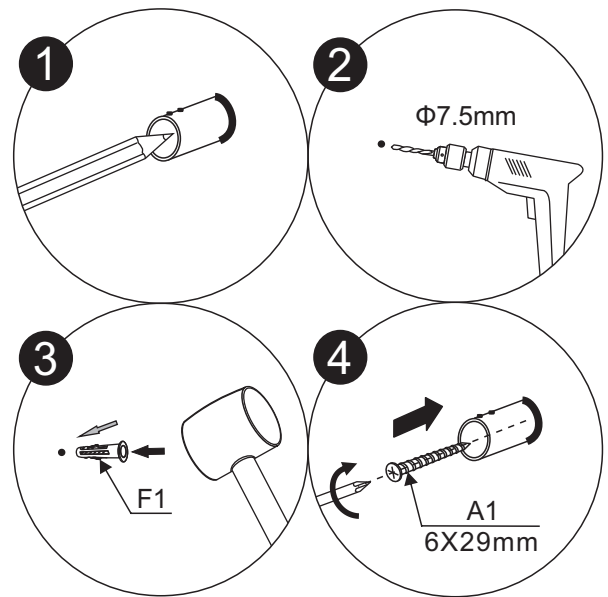
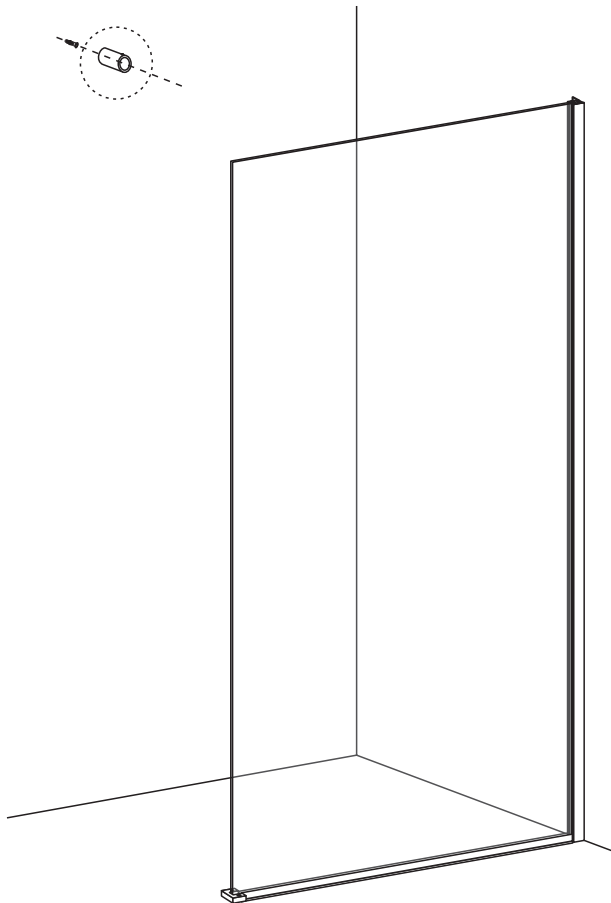
5

Installation instructions

5



6



Installation instructions

7

