

# Installation instructions

**Model: HX-109T 70\*190**

Cod Romstal: 79CD4212

**Model: HX-109T 80\*190**

Cod Romstal: 79CD4213

**Model: HX-109T 90\*190**

Cod Romstal: 79CD4214

**Model: HX-109T side panel 70\*190**

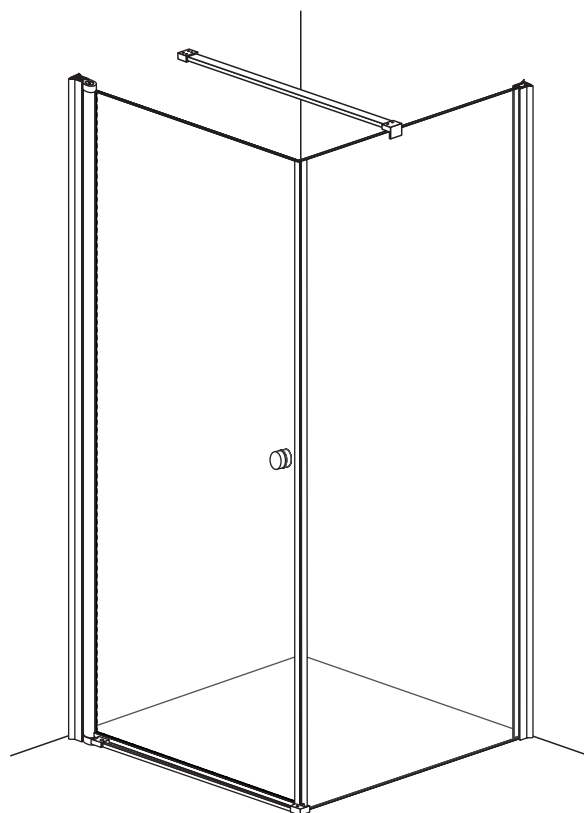
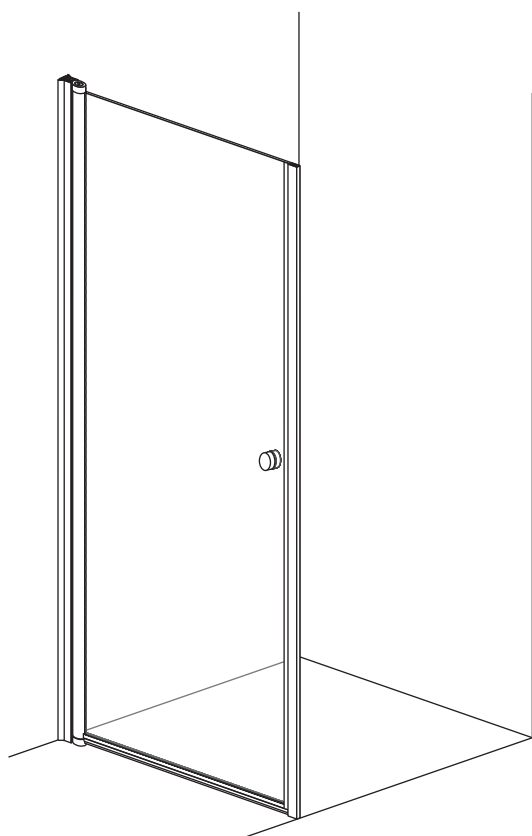
Cod Romstal: 79CD4215

**Model: HX-109T side panel 80\*190**

Cod Romstal: 79CD4216

**Model: HX-109T side panel 90\*190**

Cod Romstal: 79CD4217

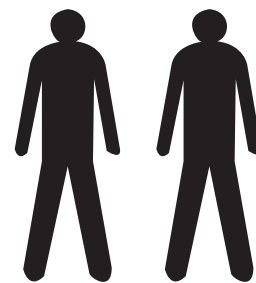


# Installation instructions

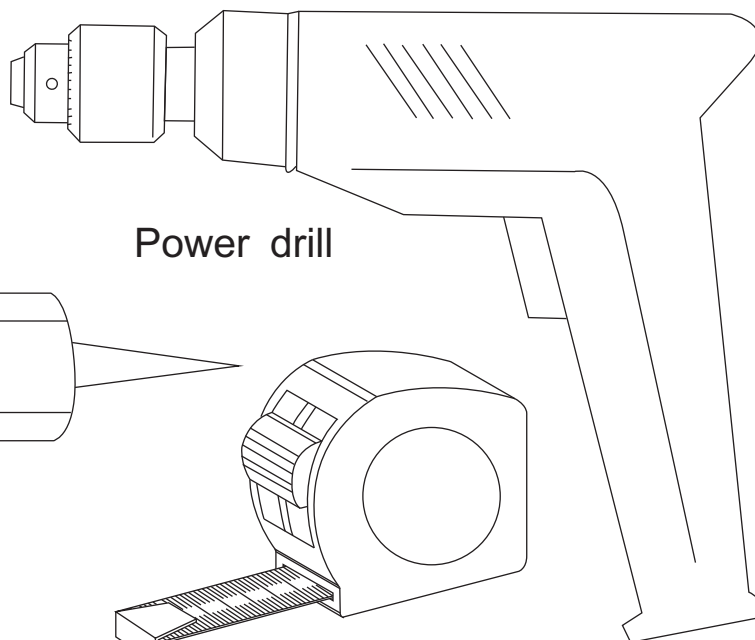
## TOOLS REQUIRED(NOT SUPPLIED)

when you're ready to start. make sure that you have the following tools to hand, plenty of space and a clean dry area for assembly.

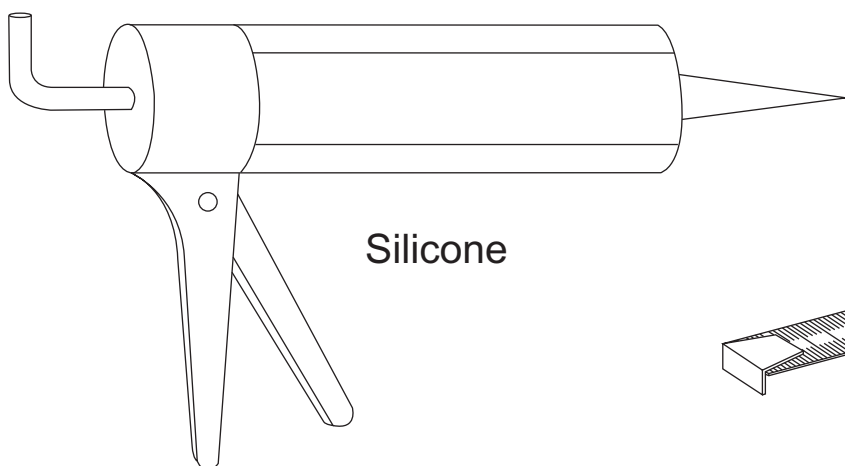
Two people are needed. Please note: although these instructions are comprehensive, We always recommend that a technically competent installer should undertake installation.



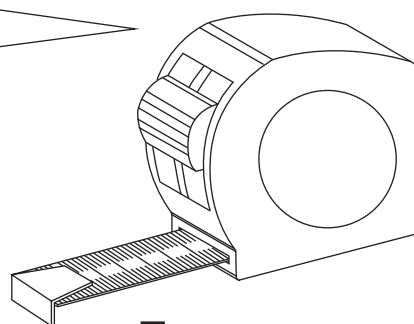
Drill bit to suit wall type  
6mm



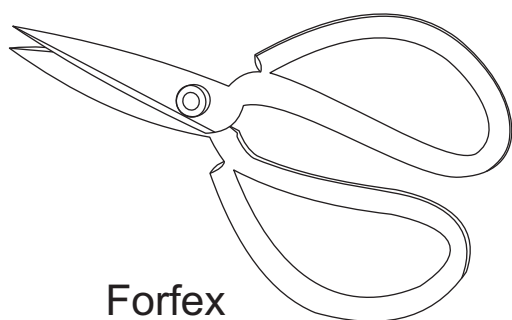
Power drill



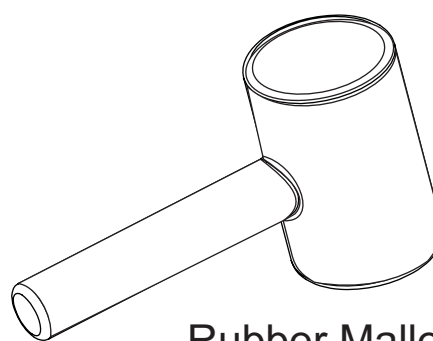
Silicone



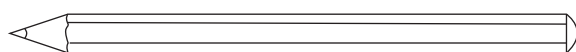
Tape measure



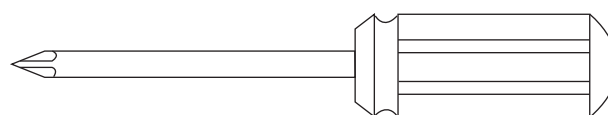
Forfex



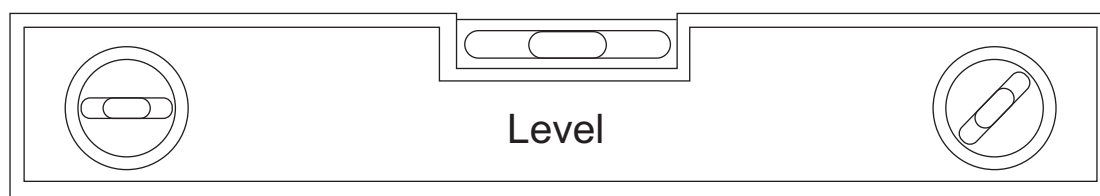
Rubber Mallet



Pencil

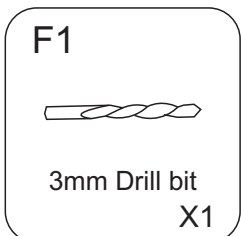
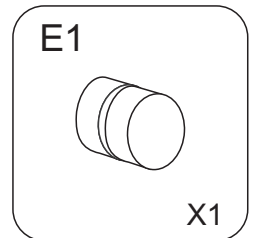
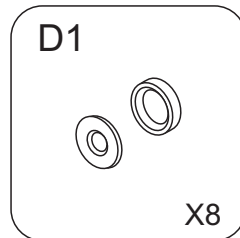
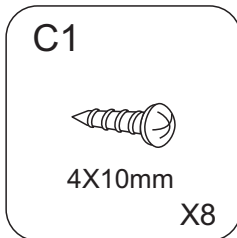
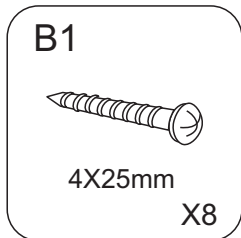
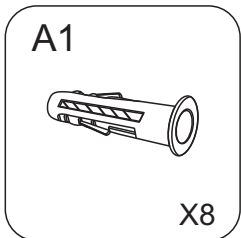
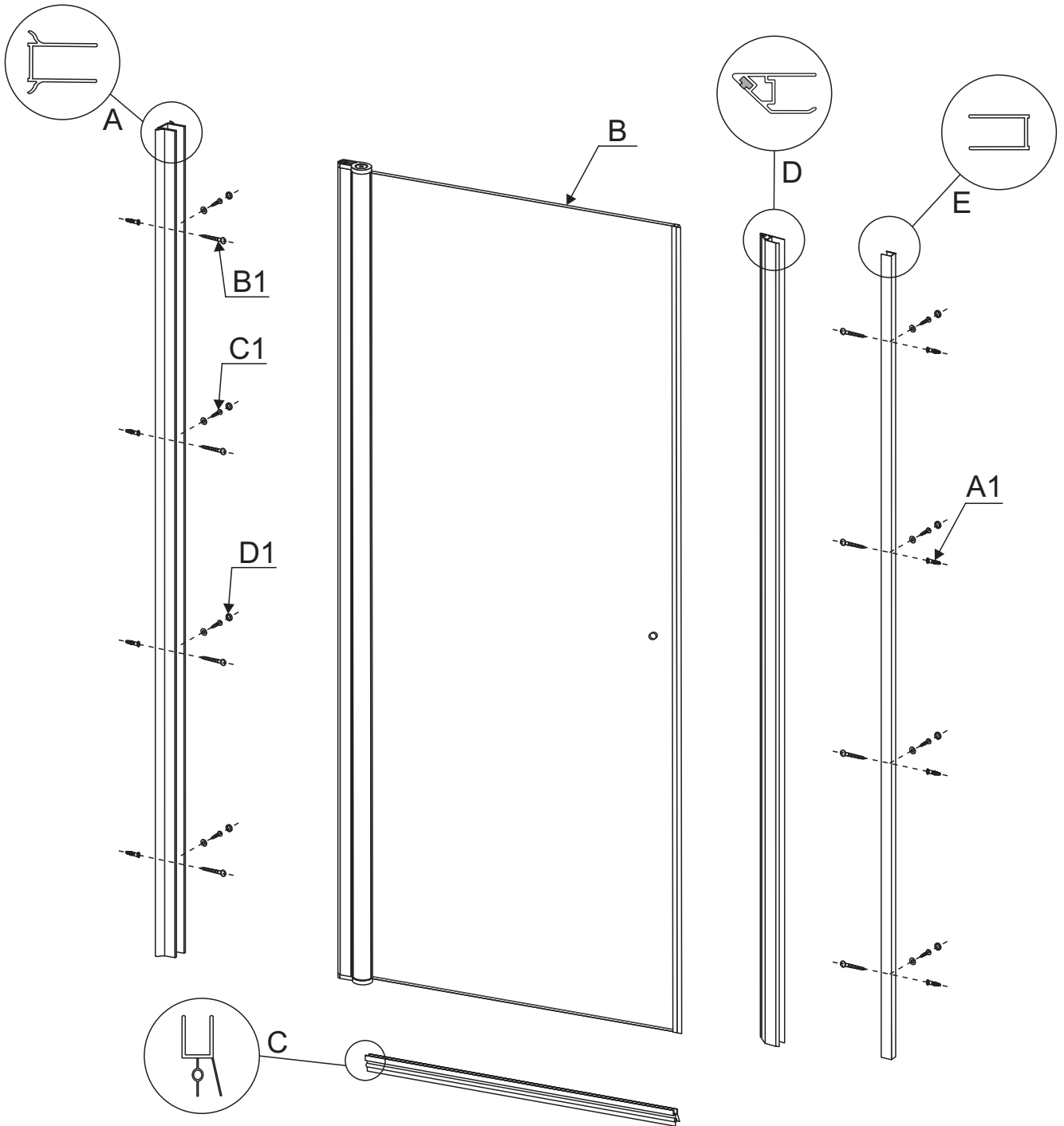


Magnetic cross head screw driver



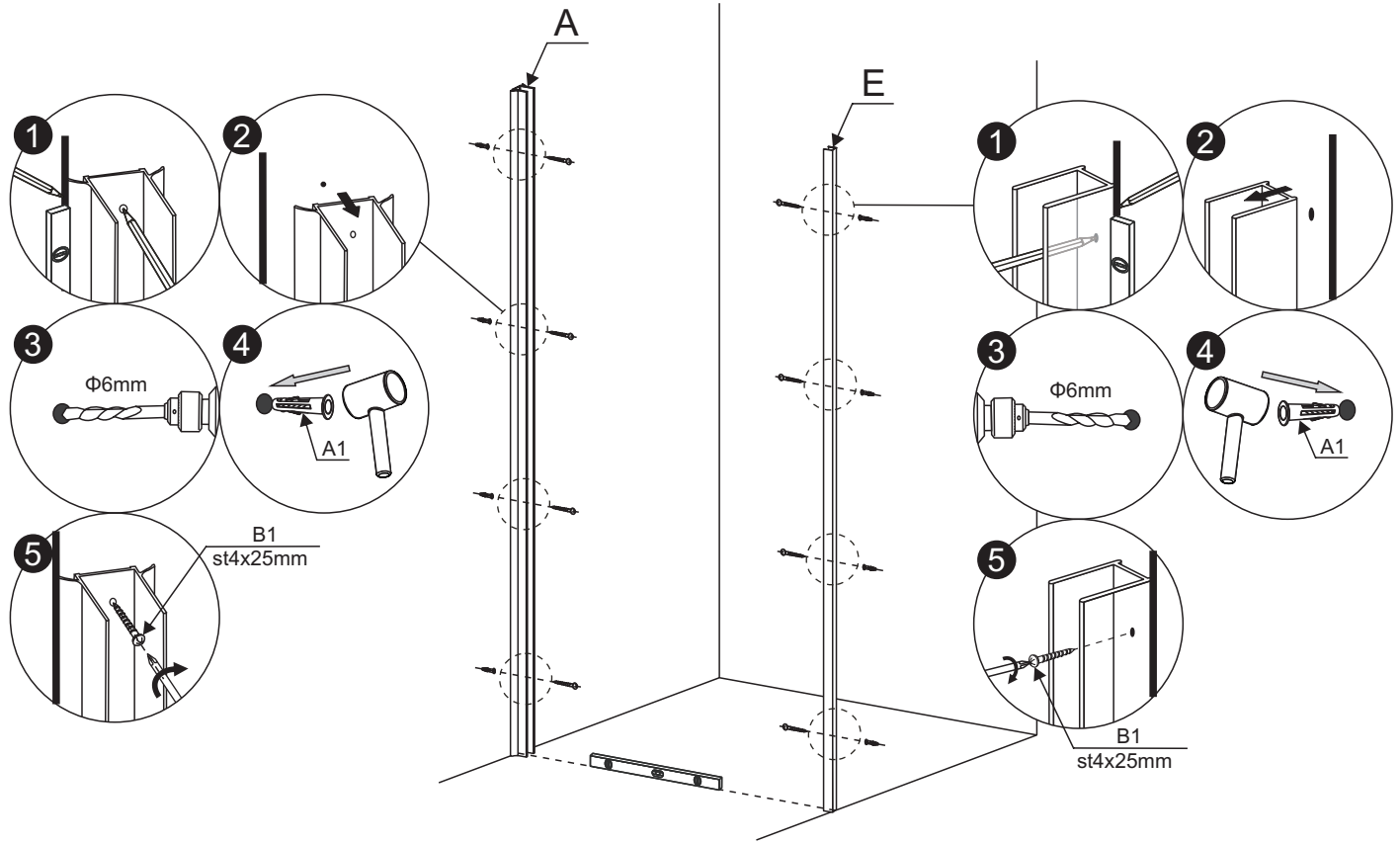
Level

# SINGLE DOOR

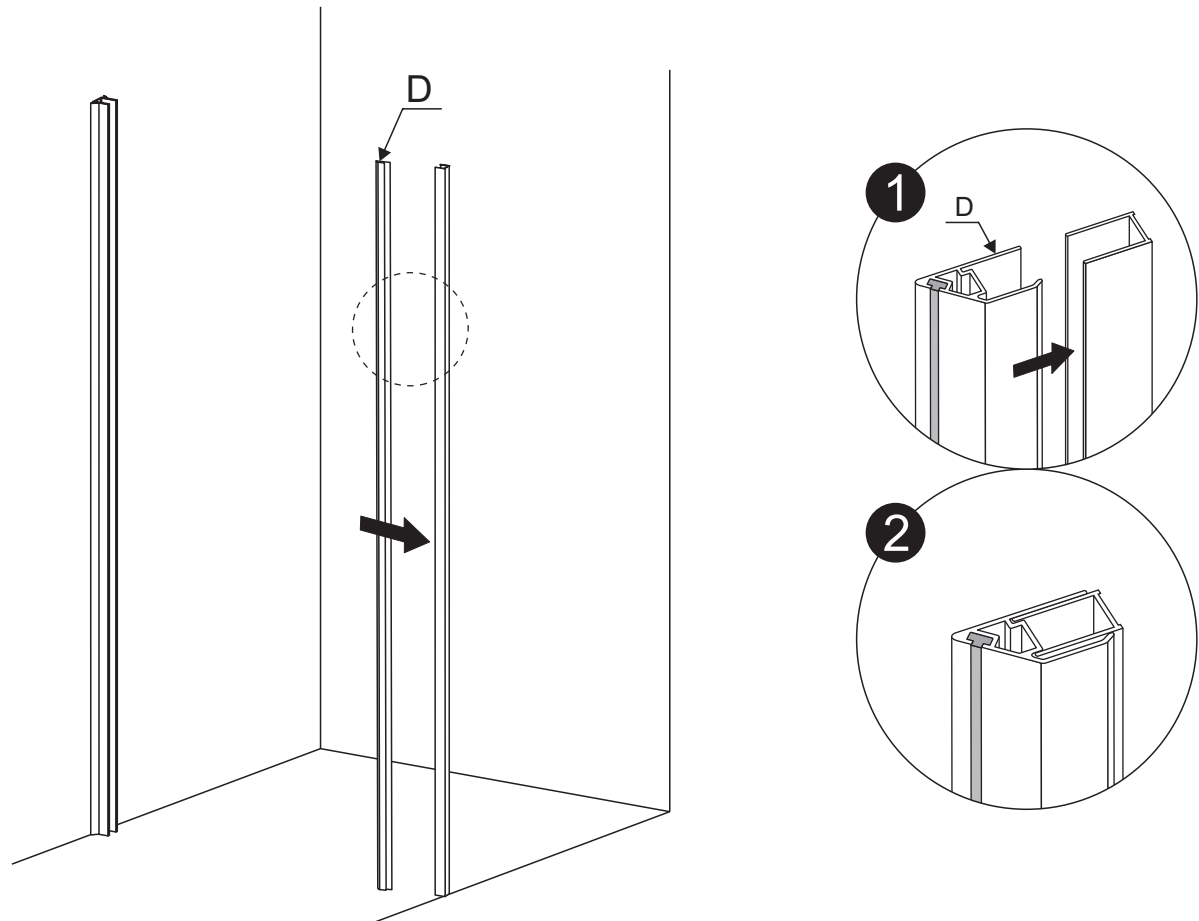


# Installation instructions

1

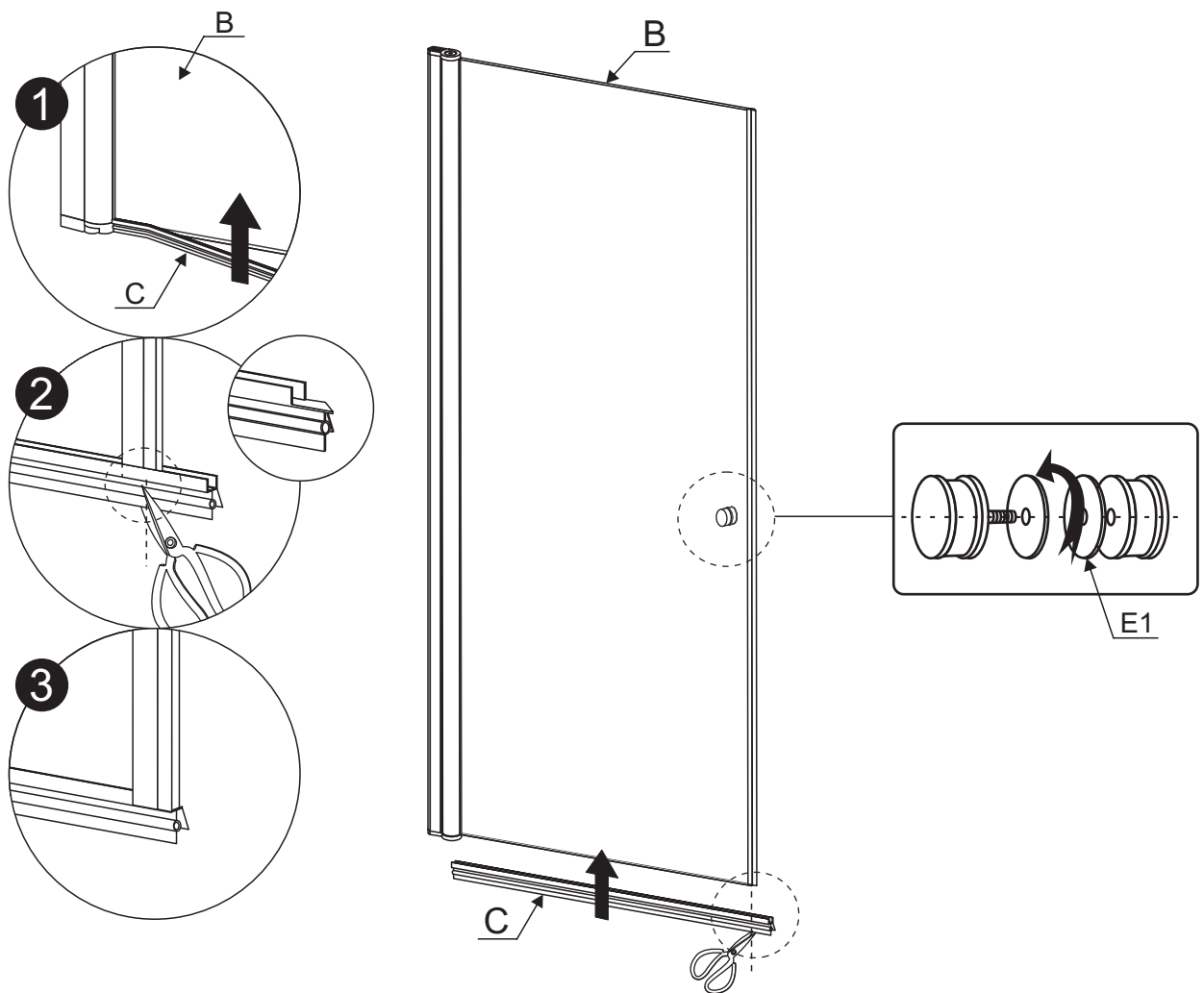


2

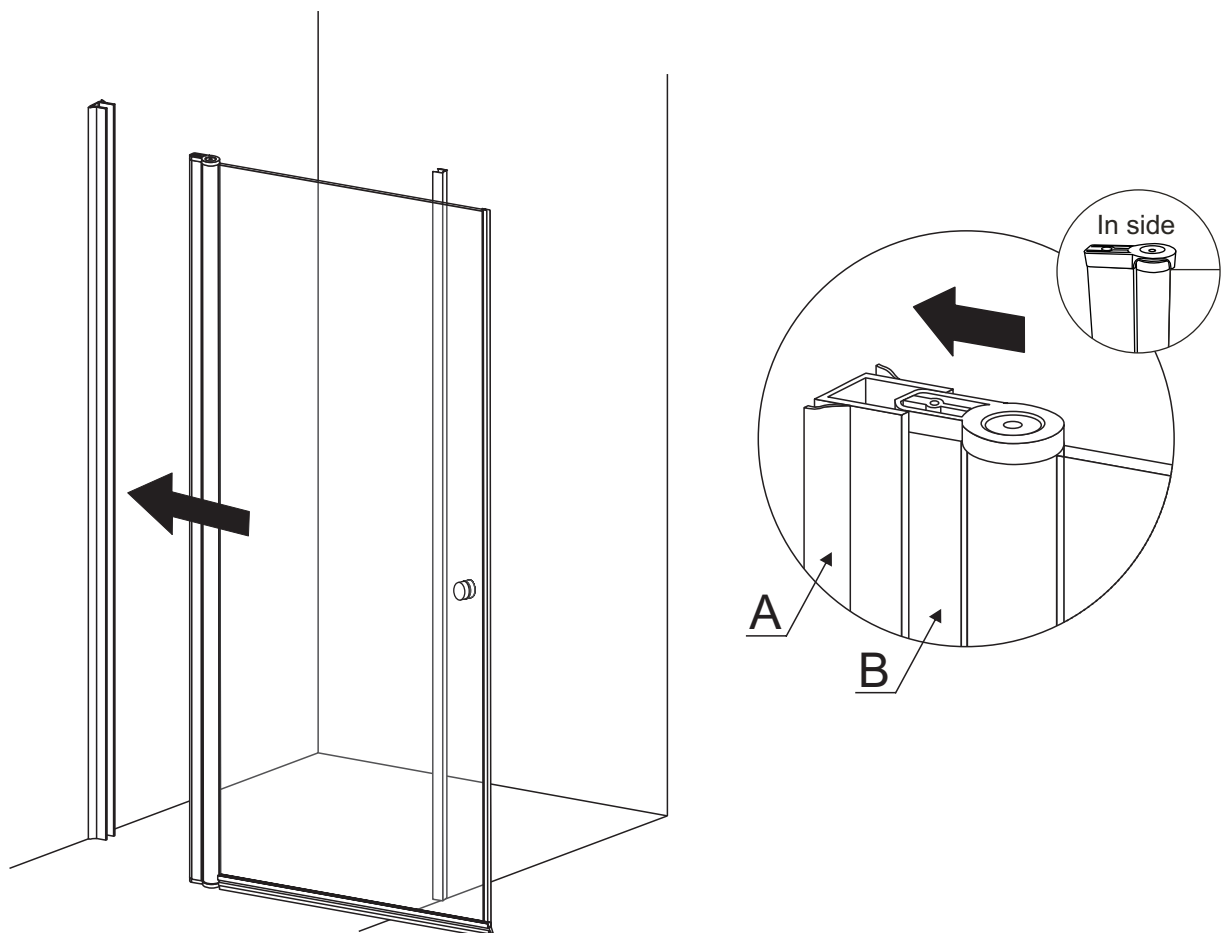


# Installation instructions

3

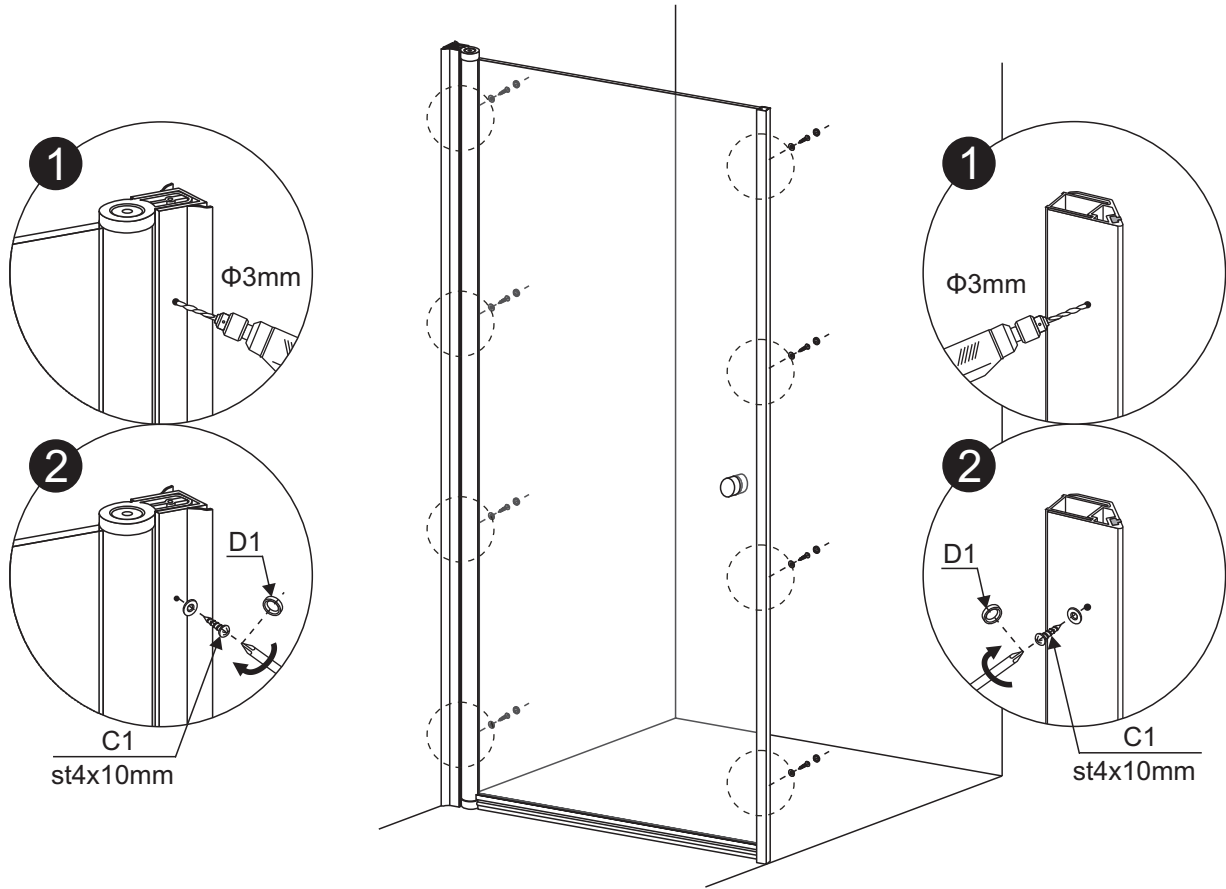


4

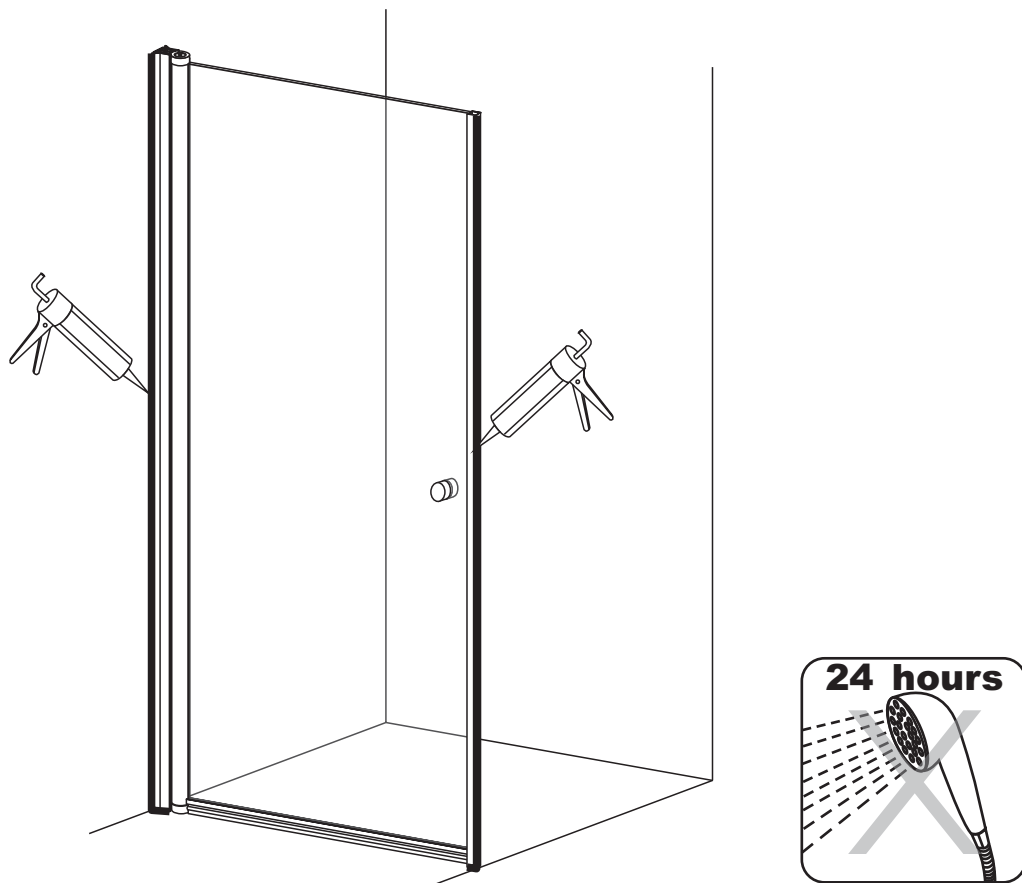


# Installation instructions

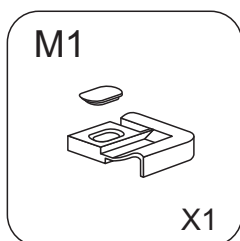
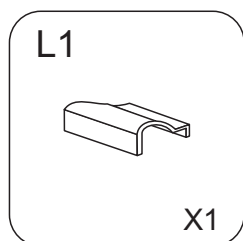
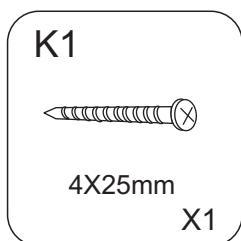
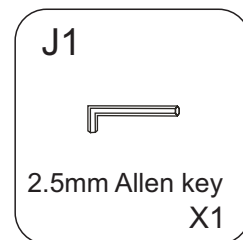
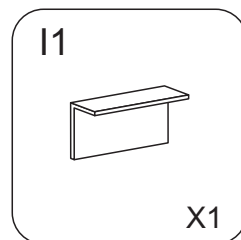
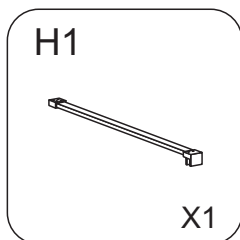
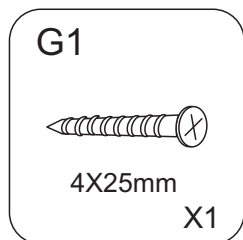
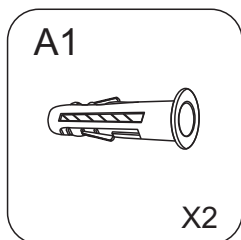
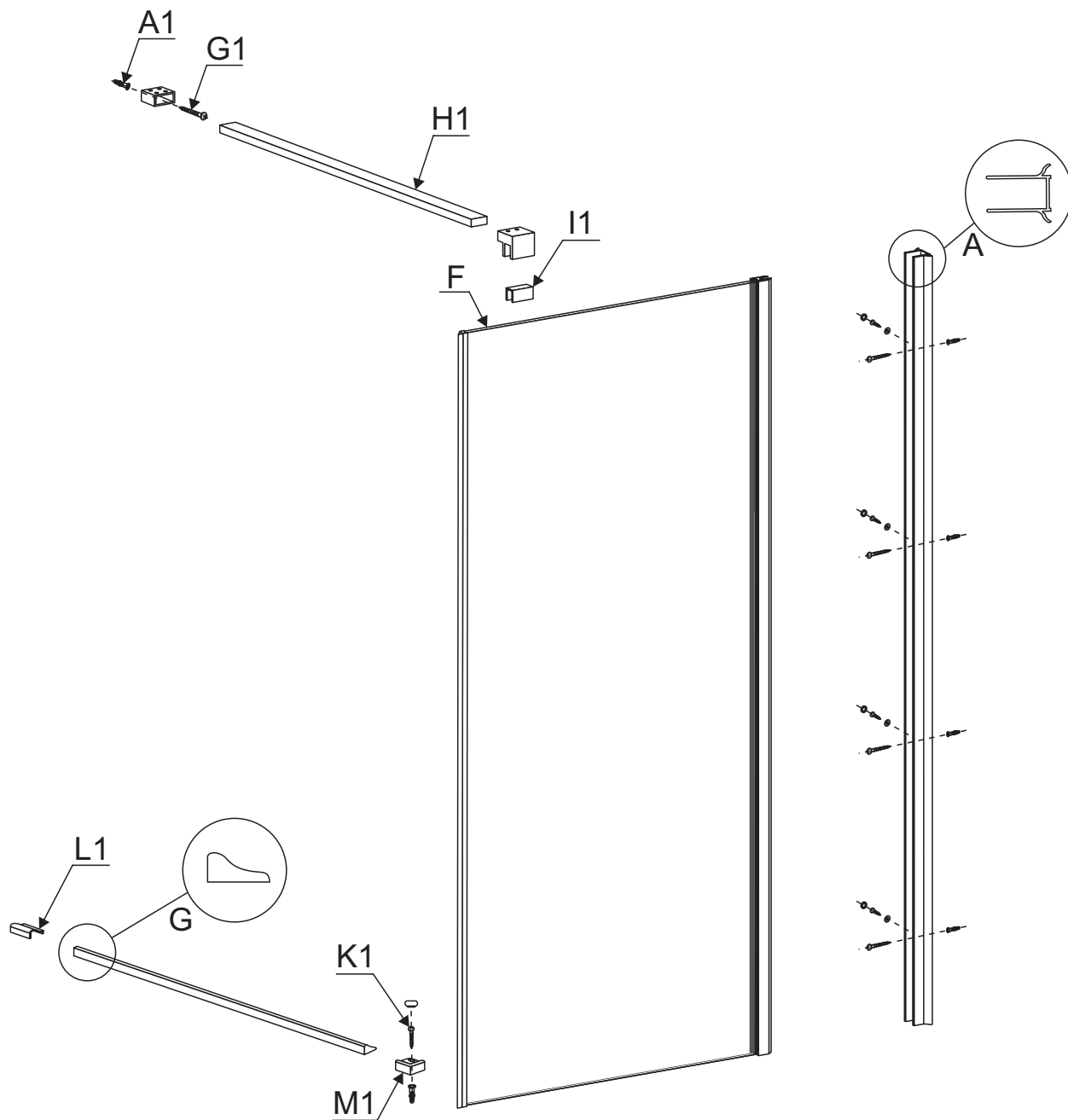
5



6

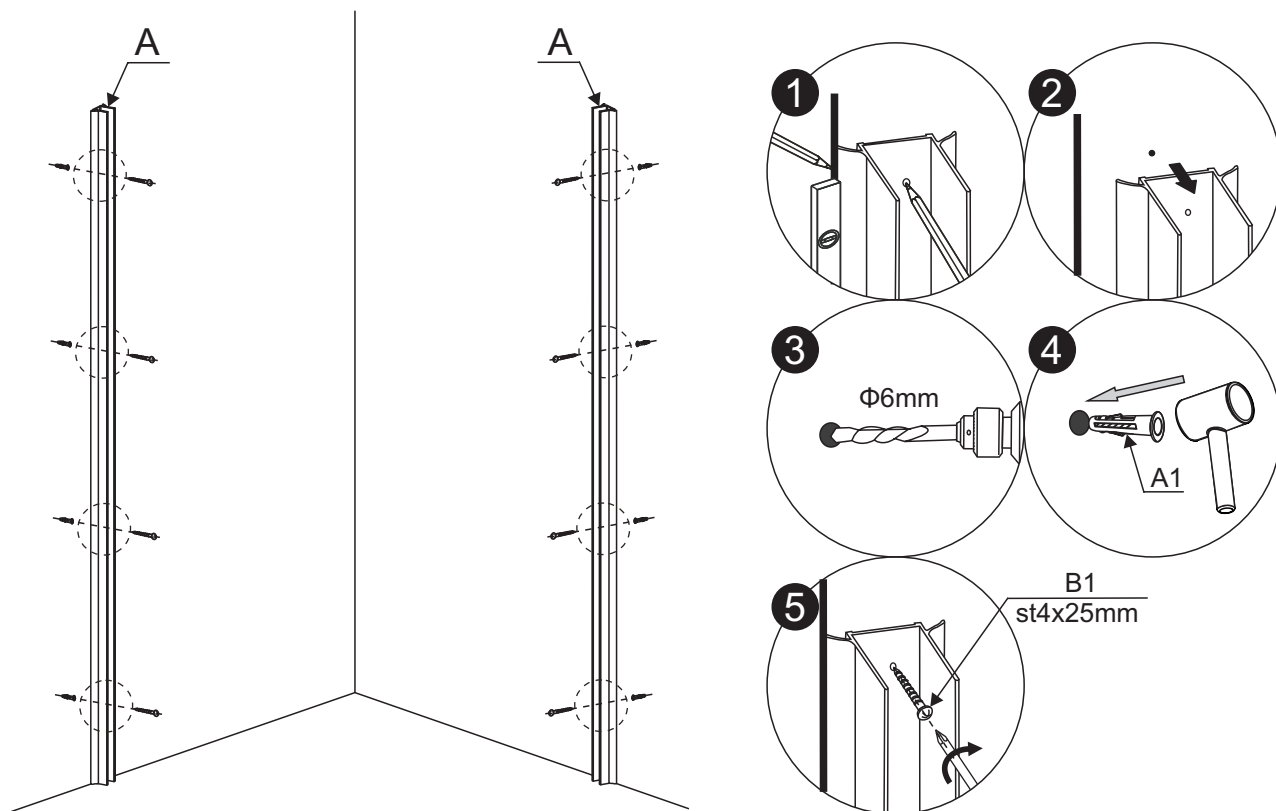


# SIDE FIXED GLASS

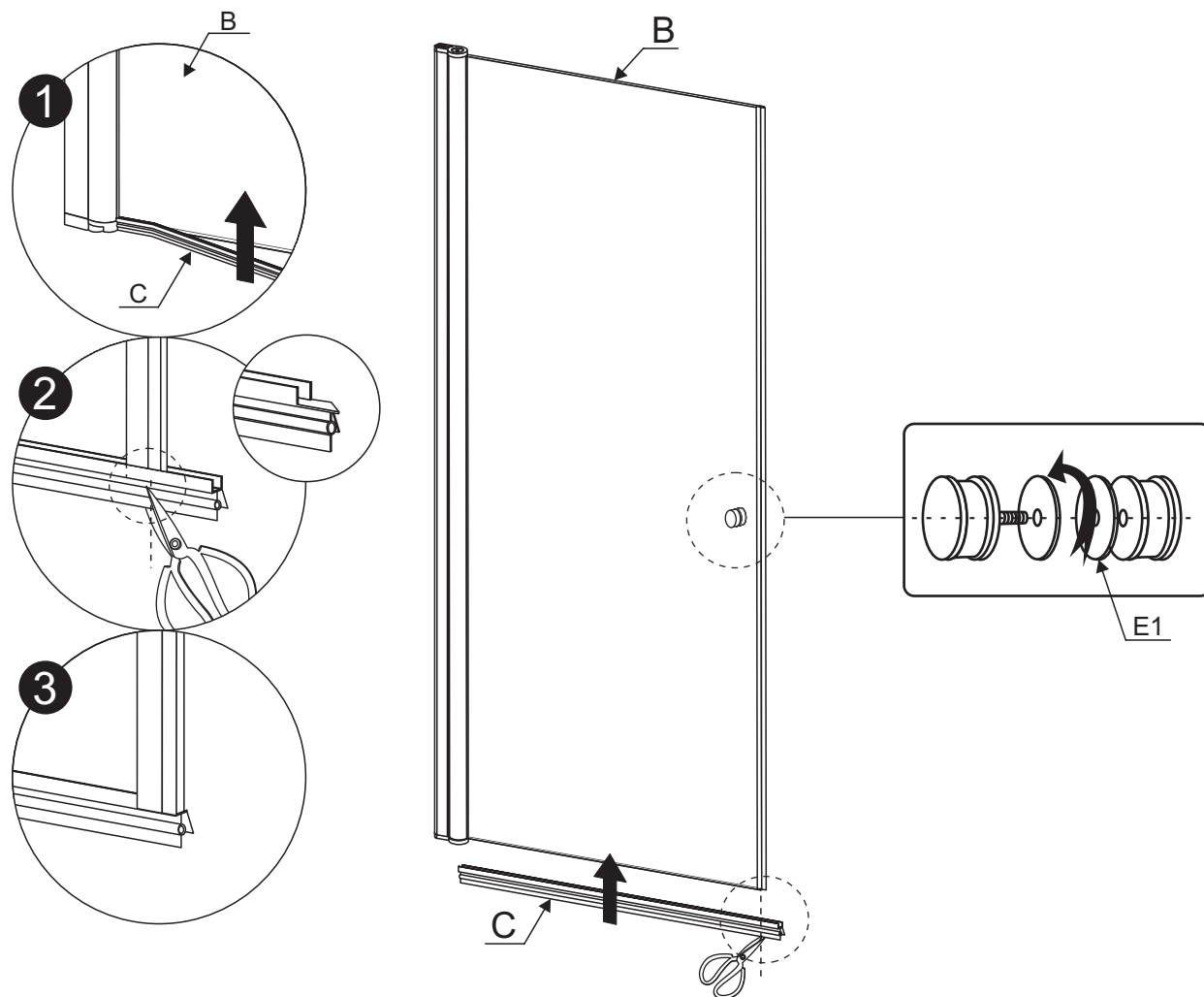


# Installation instructions

1



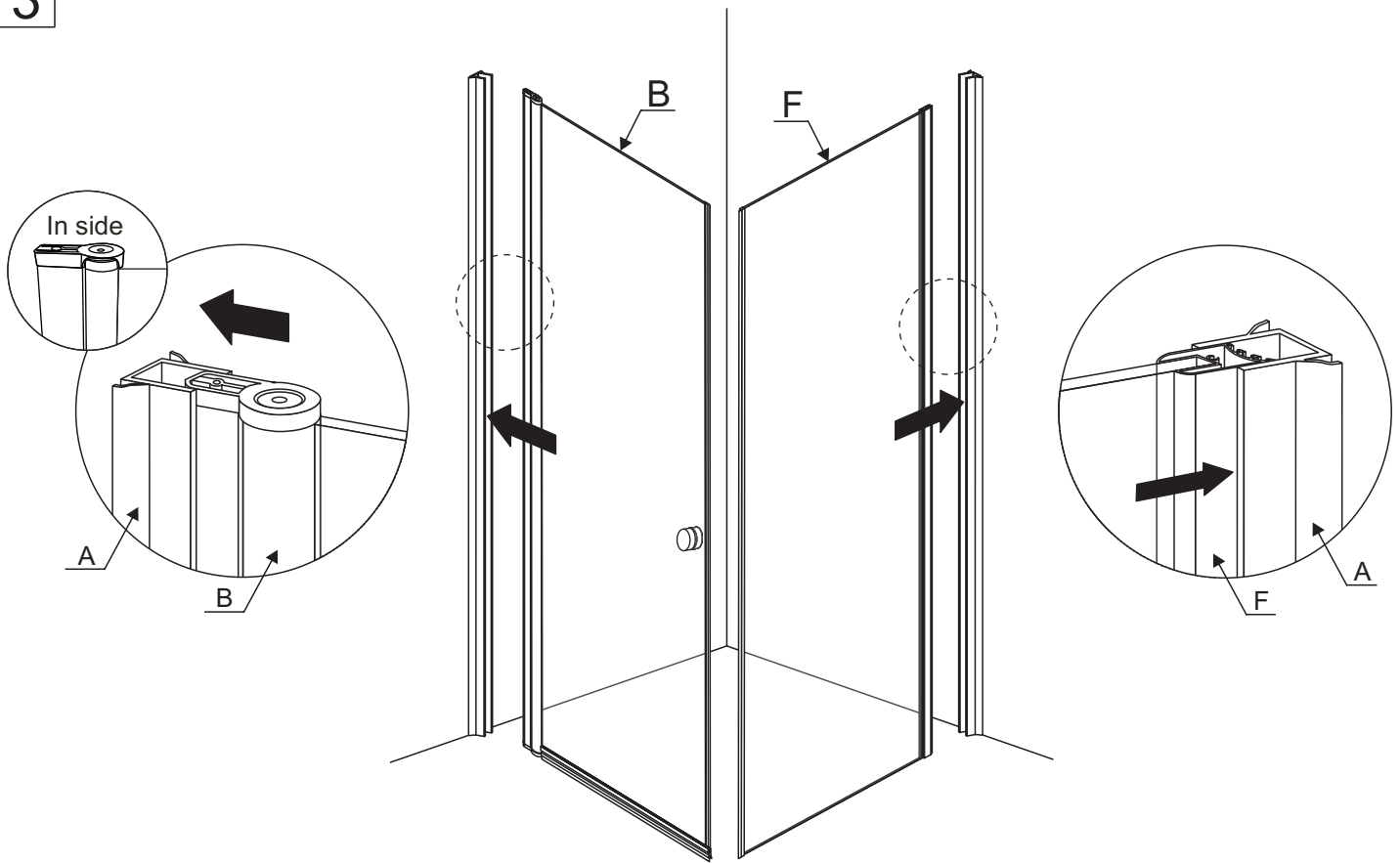
2



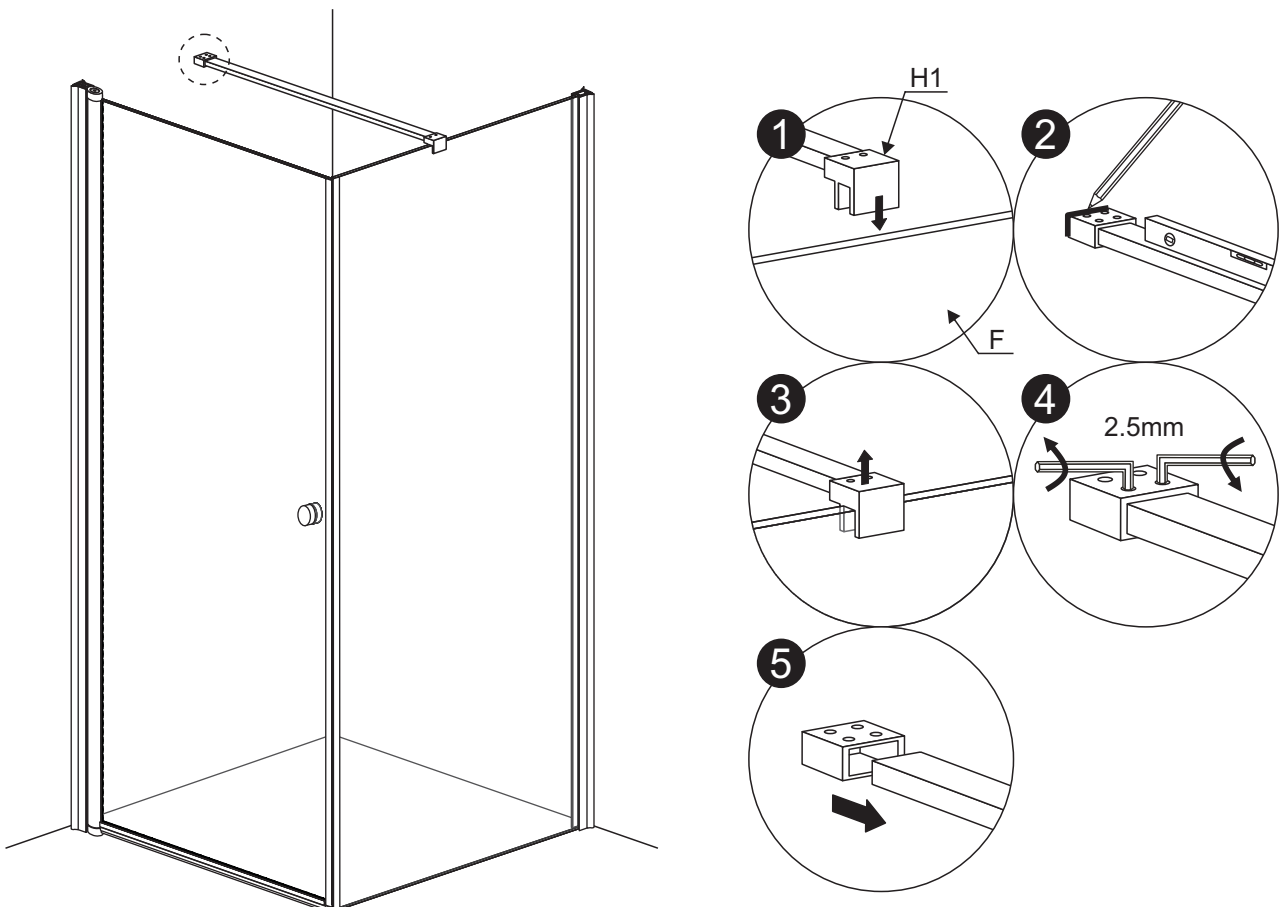


# Installation instructions

3

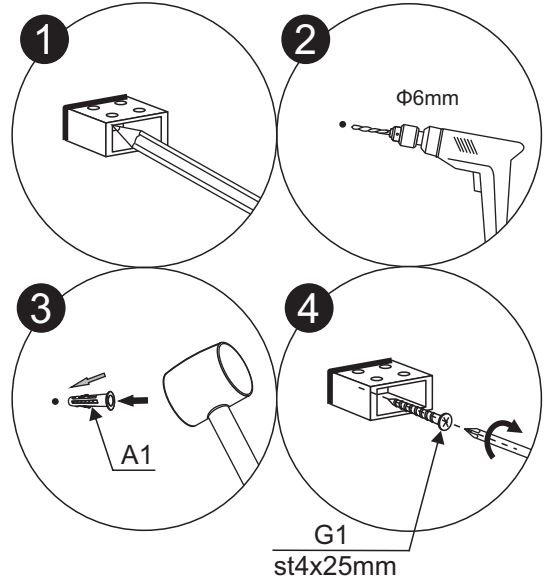
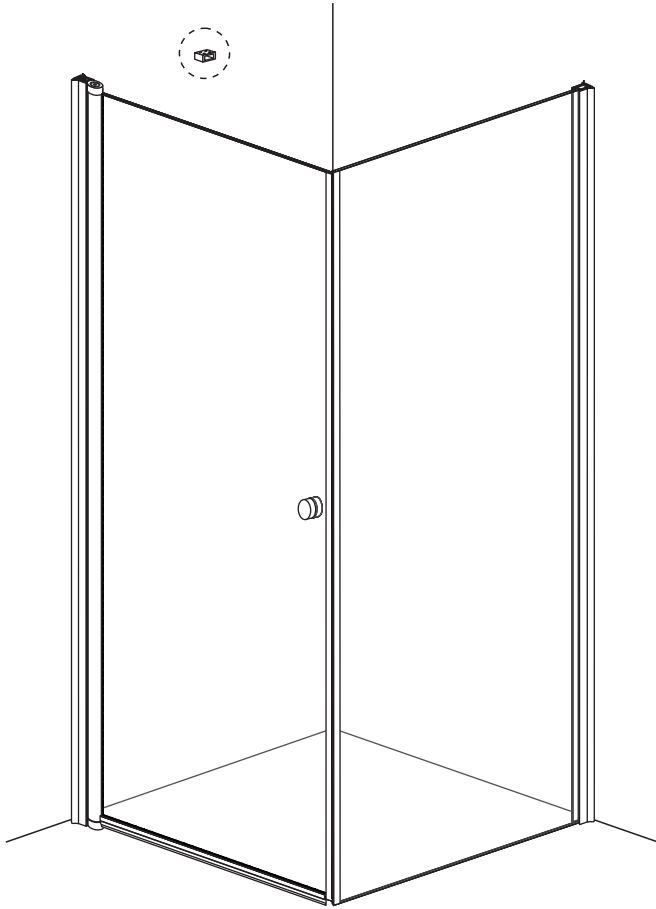


4

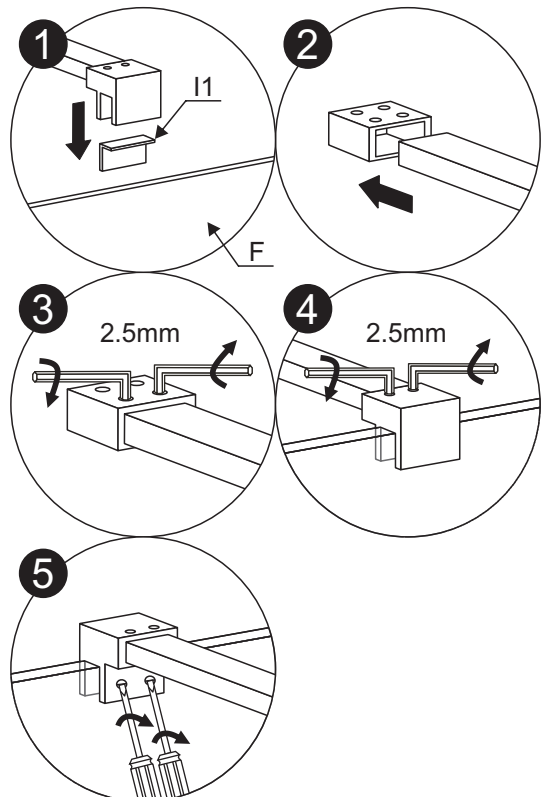
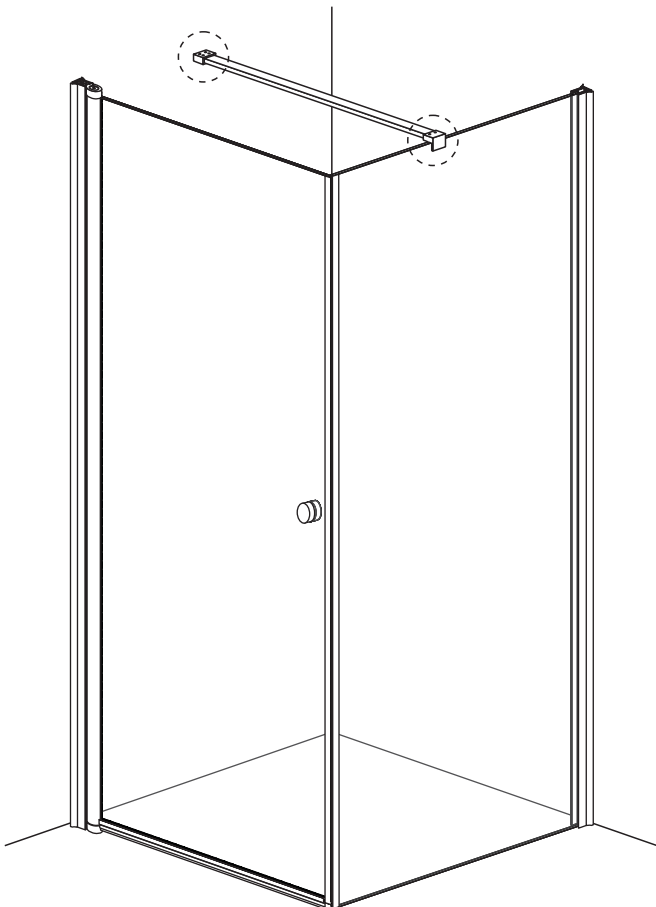


# Installation instructions

5

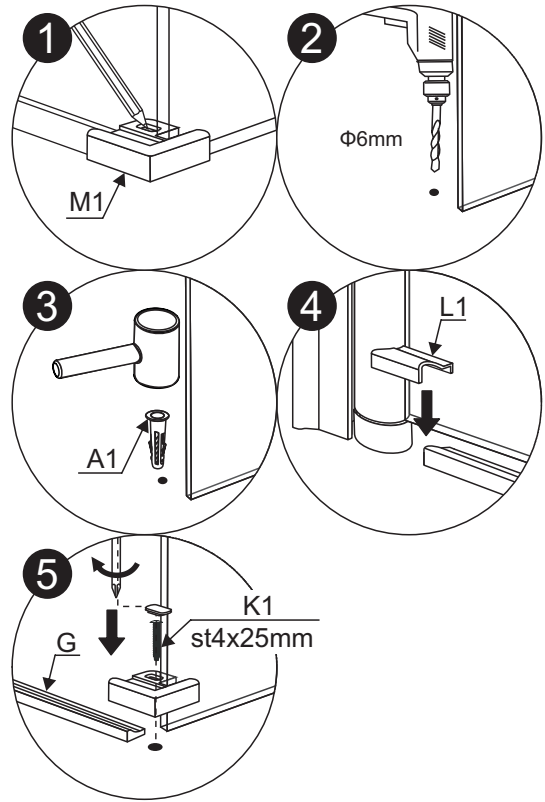
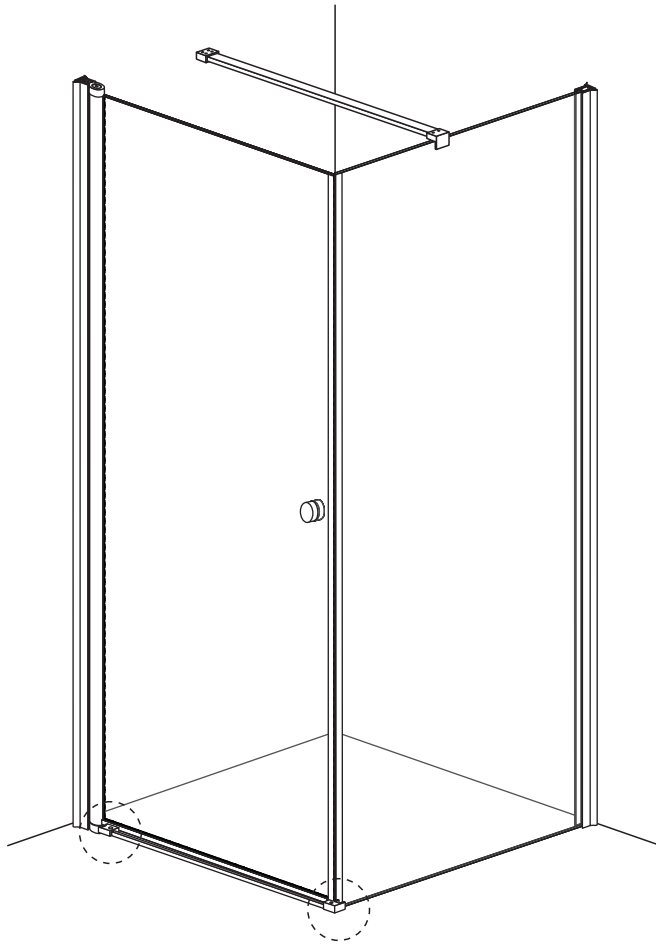


6



# Installation instructions

7



8

