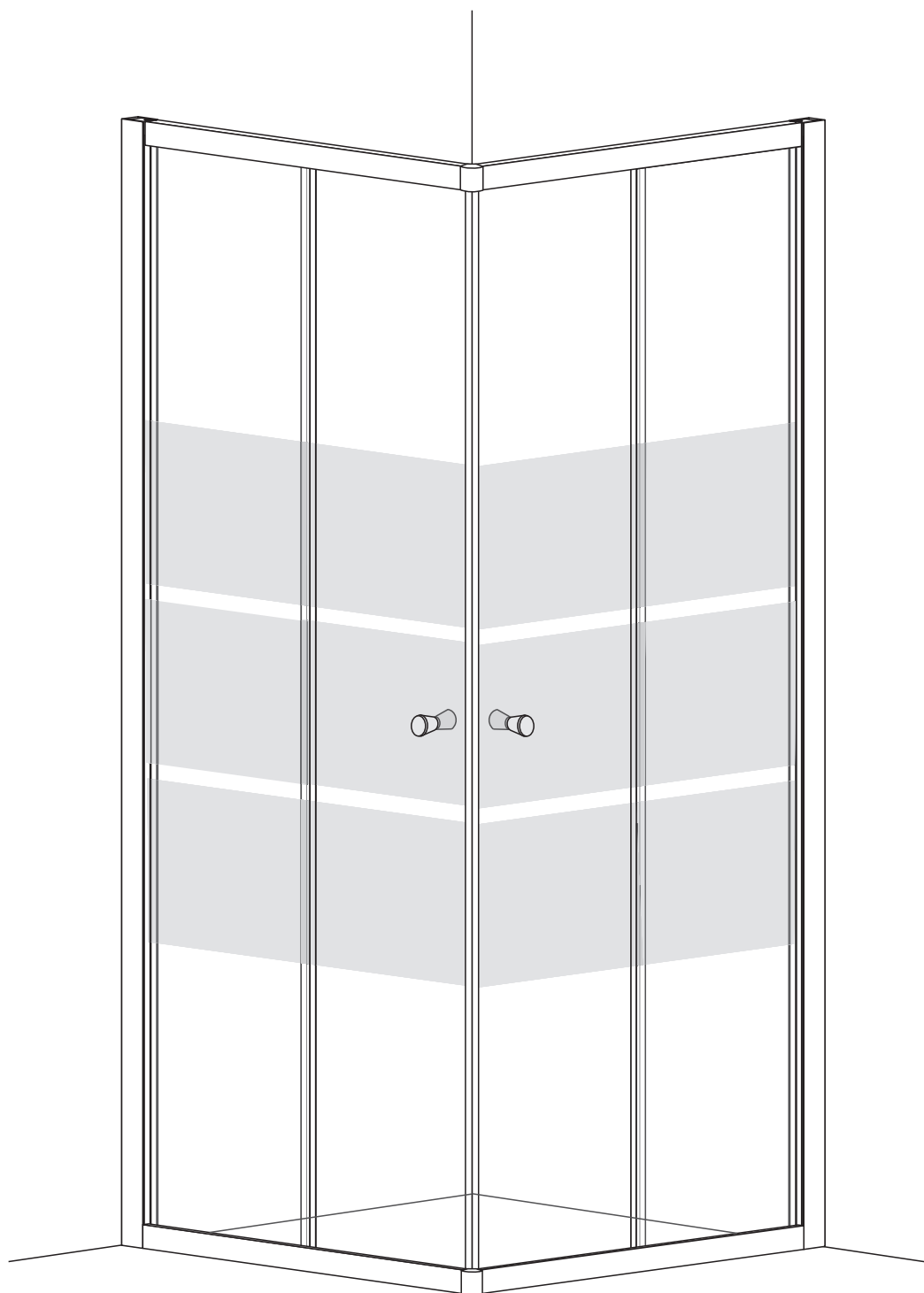


# S-16002

## Installation instructions



**SIZE:80\*80\*190 cm**

**SIZE:90\*90\*190 cm**

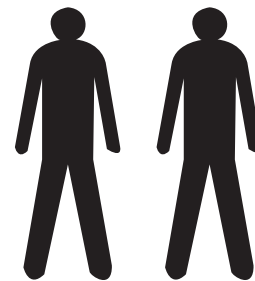
**SIZE:100\*100\*190 cm**

# Installation instructions

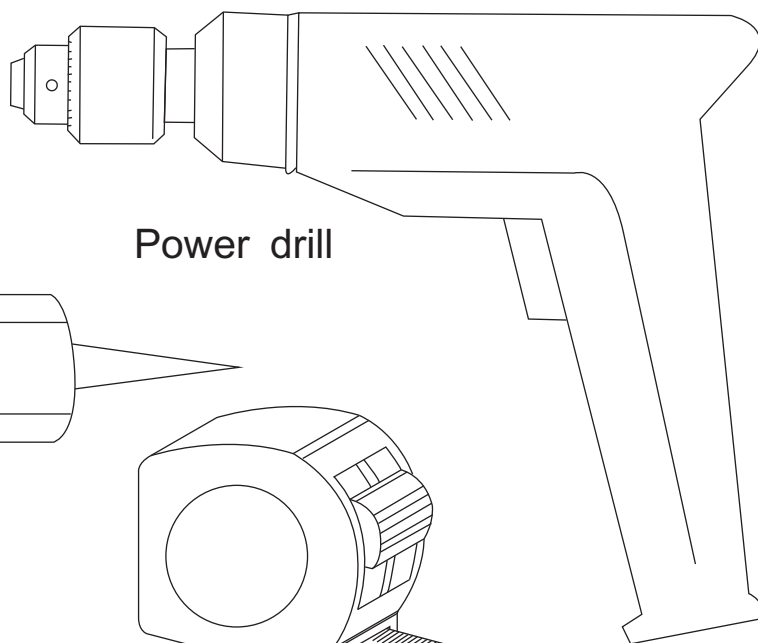
## TOOLS REQUIRED (NOT SUPPLIED)

when you're ready to start. make sure that you have the following tools to hand, plenty of space and a clean dry area for assembly.

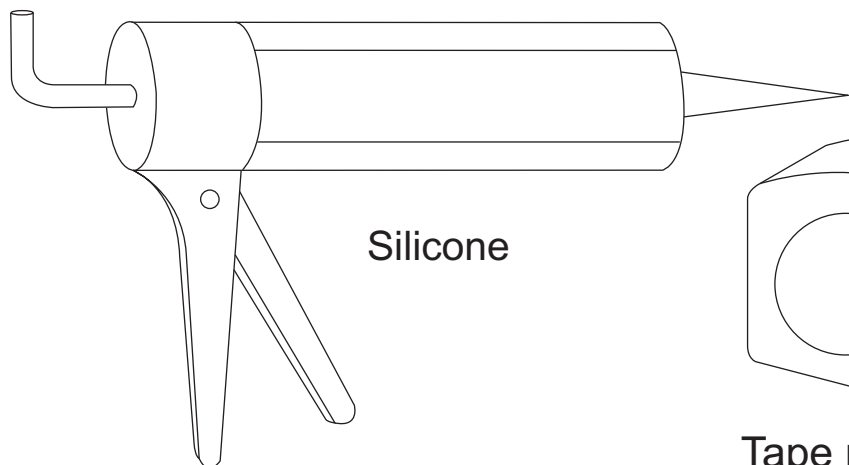
Two people are needed. Please note: although these instructions are comprehensive, We always recommend that a technically competent installer should undertake installation.



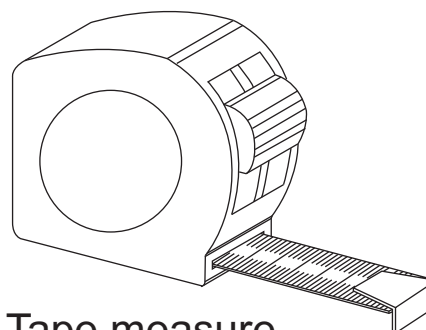
Drill bit to suit wall type  
5.5mm



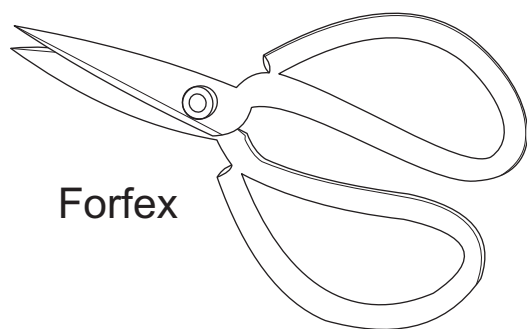
Power drill



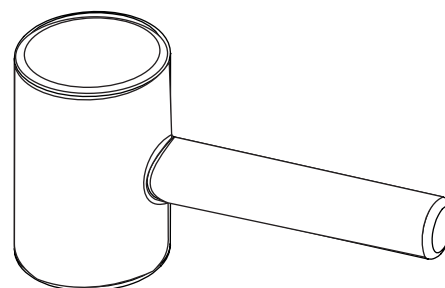
Silicone



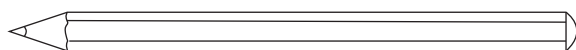
Tape measure



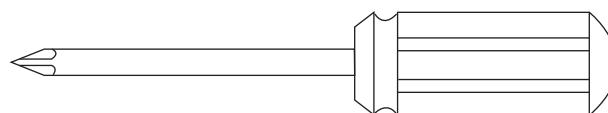
Forfex



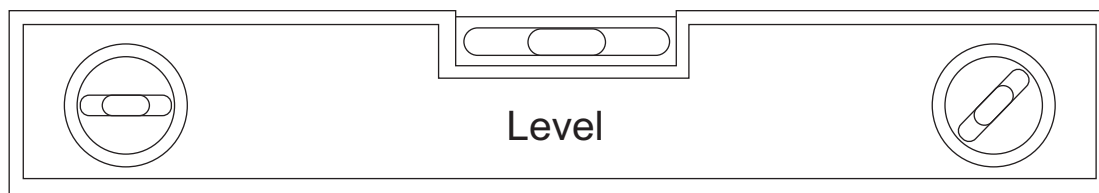
Rubber Mallet



Pencil

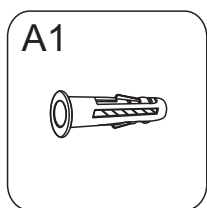
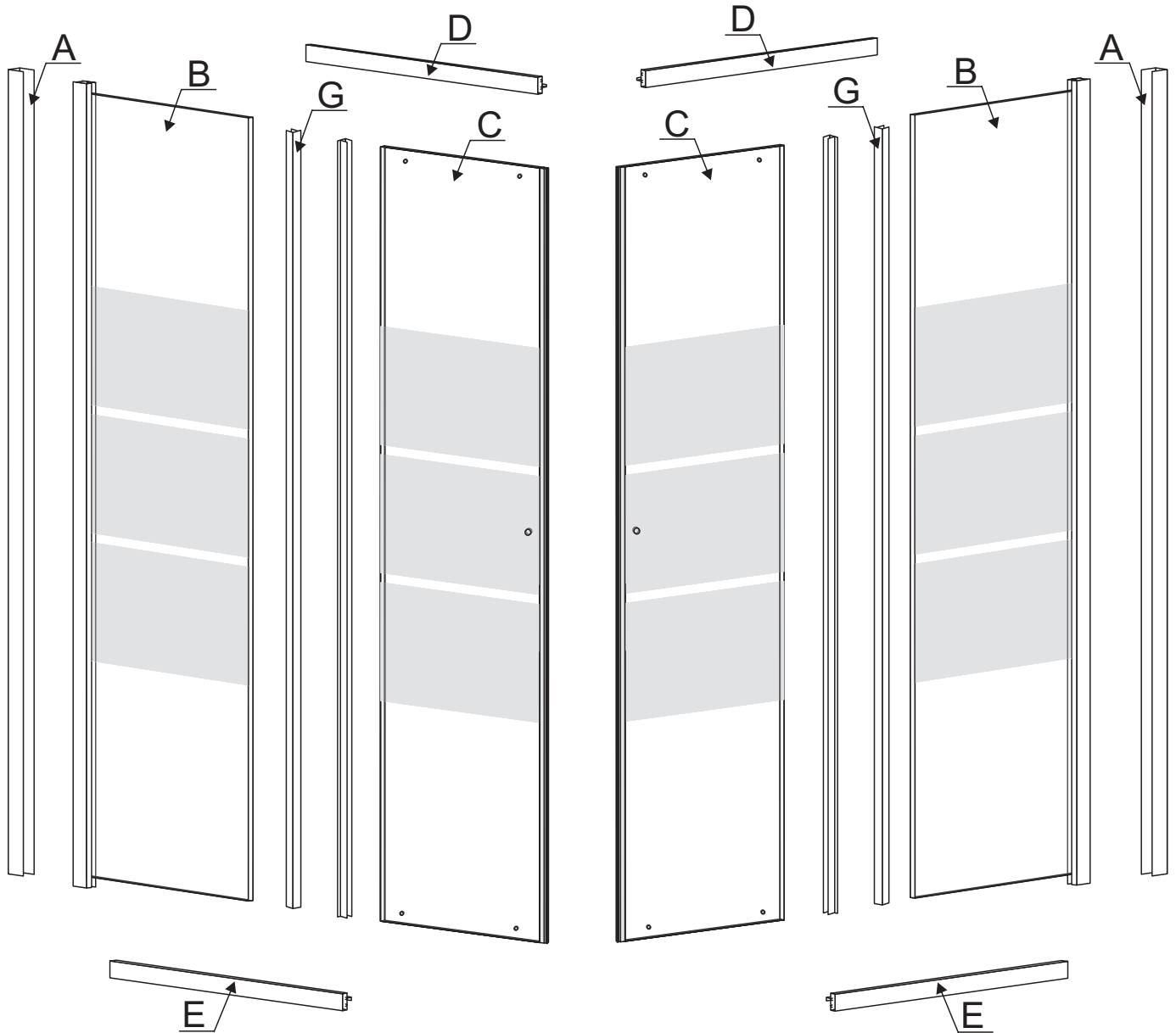


Magnetic cross head screw driver



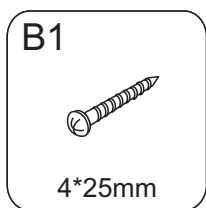
Level

# Installation instructions



A1

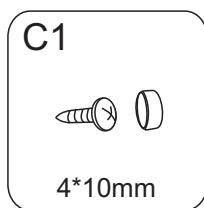
8PCS



B1

4\*25mm

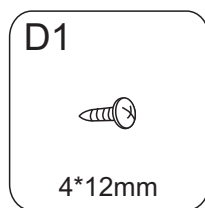
8PCS



C1

4\*10mm

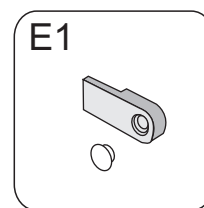
12PCS



D1

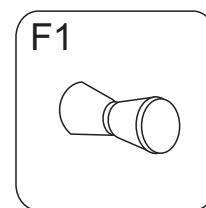
4\*12mm

4PCS



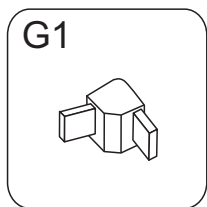
E1

4PCS



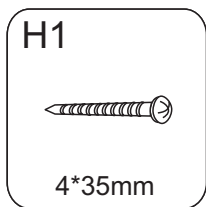
F1

2PCS



G1

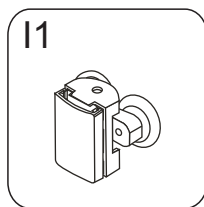
2PCS



H1

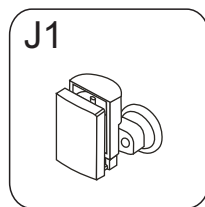
4\*35mm

8PCS



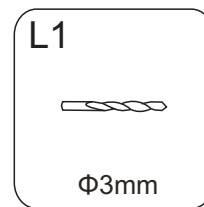
I1

4PCS



J1

4PCS

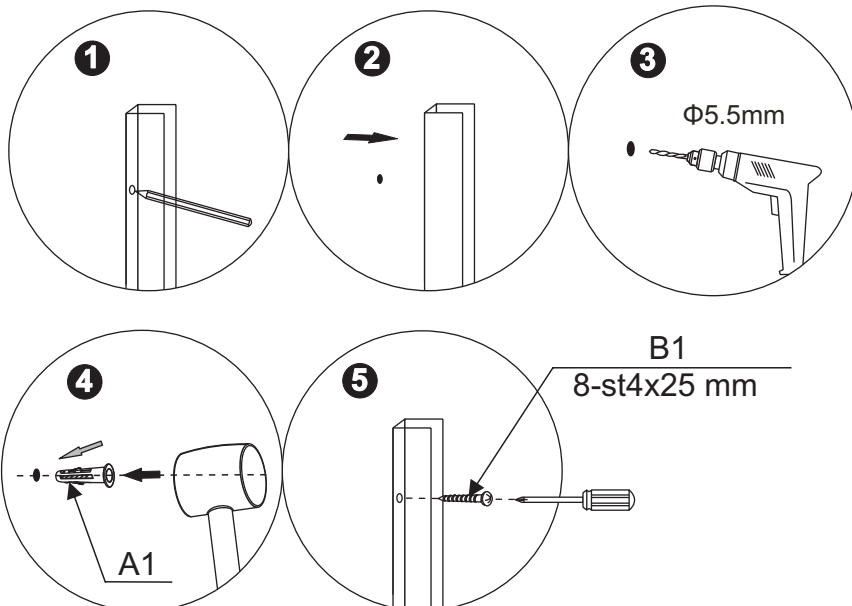
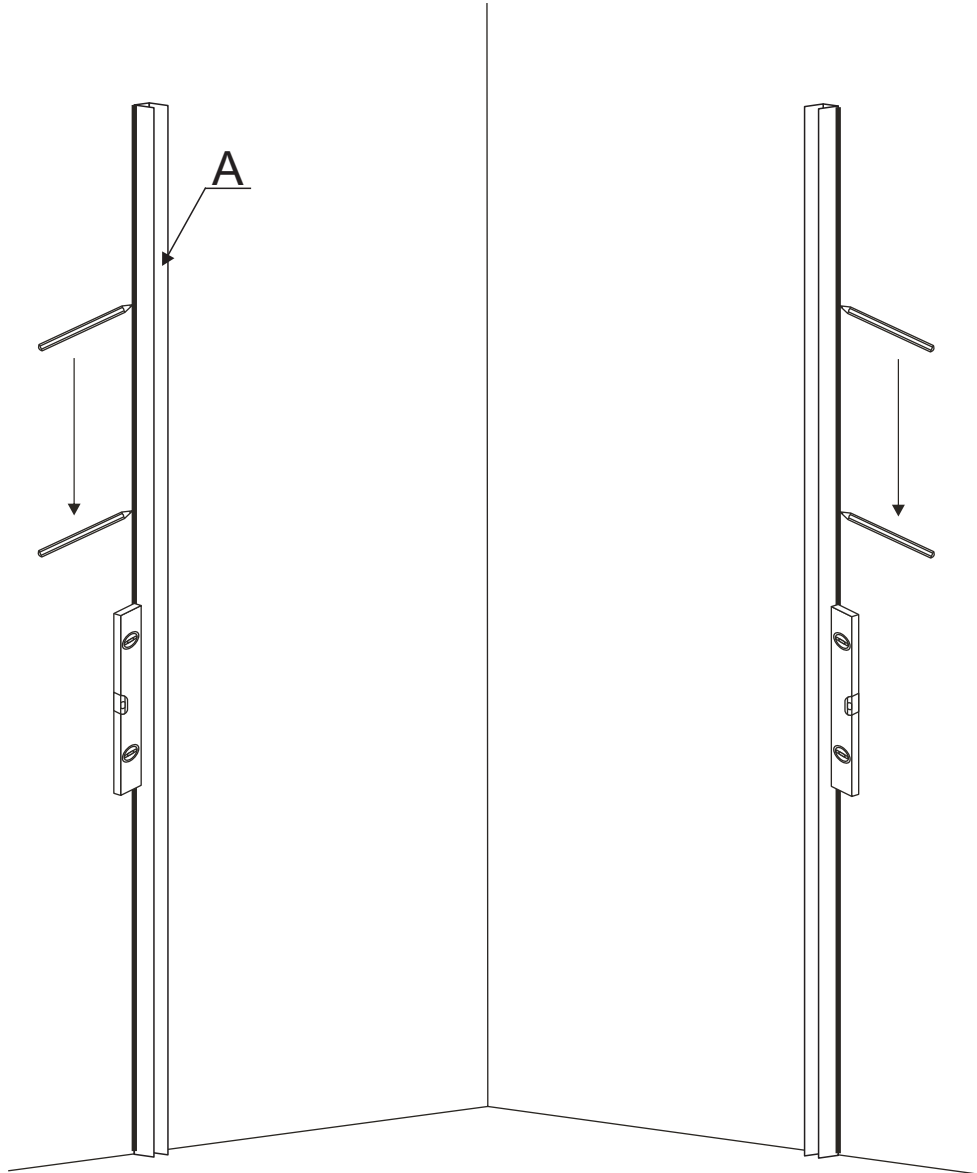


L1

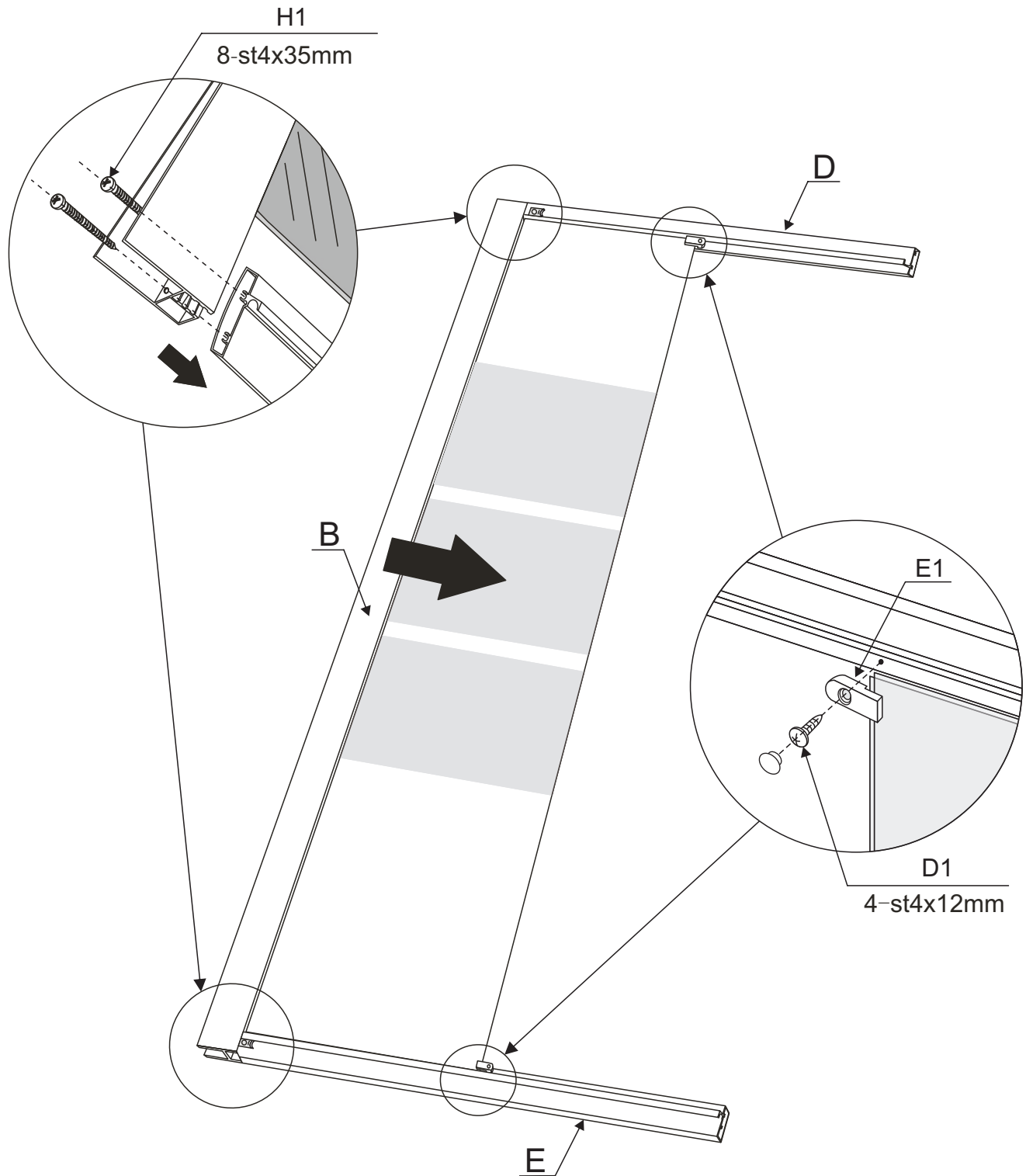
Φ3mm

1PCS

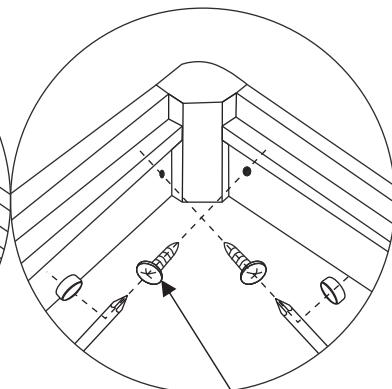
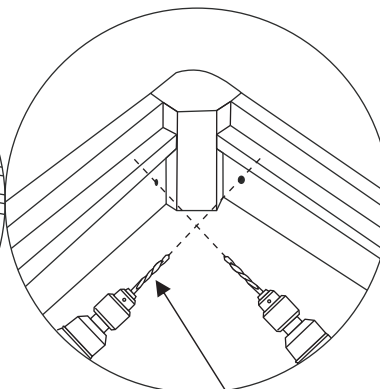
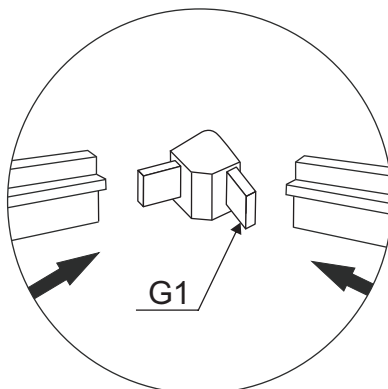
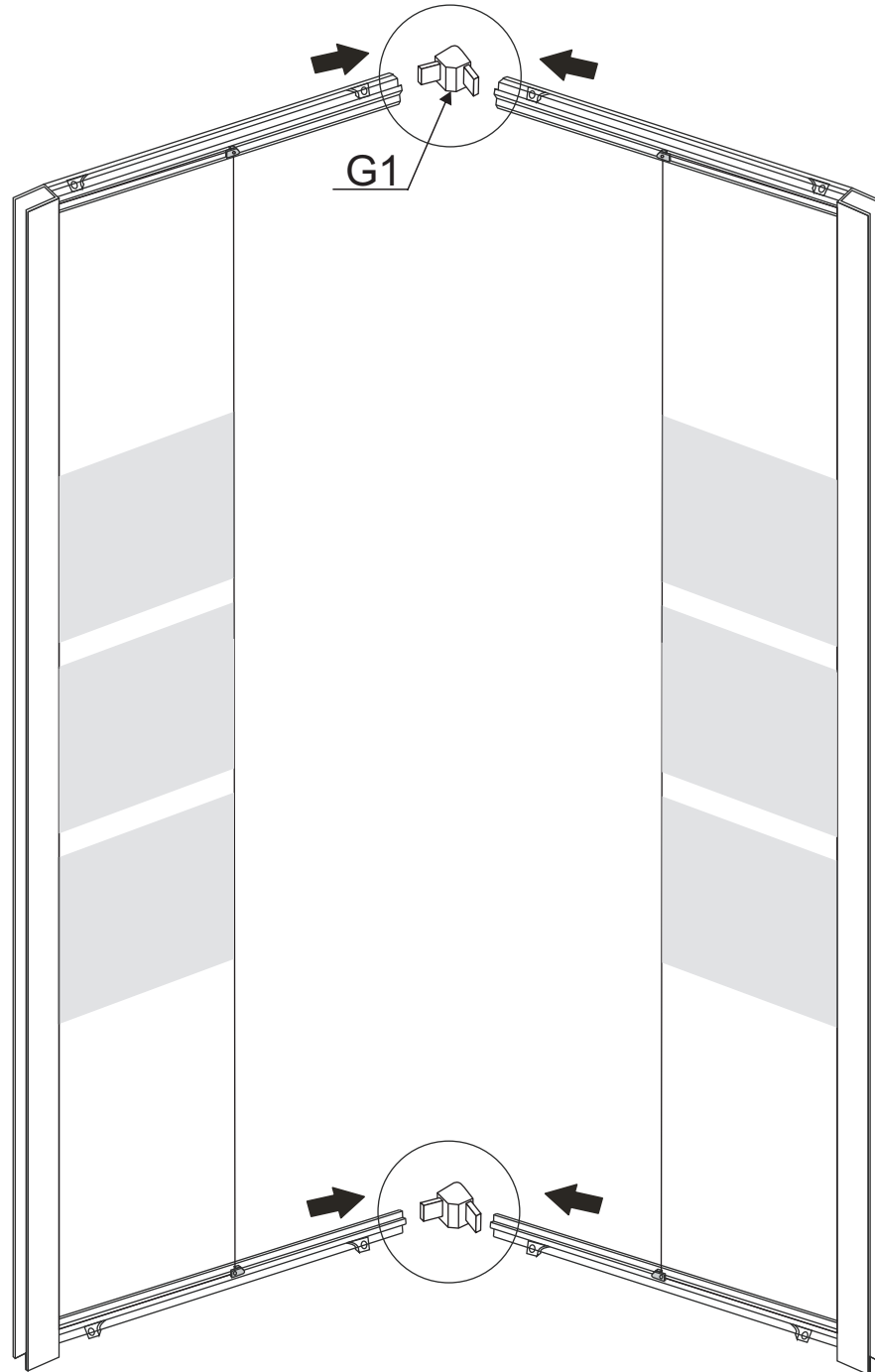
# Installation instructions



# Installation instructions



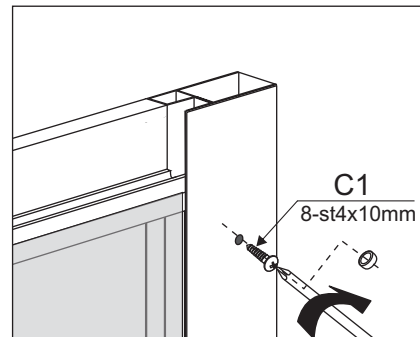
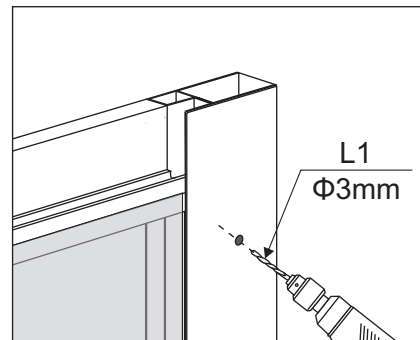
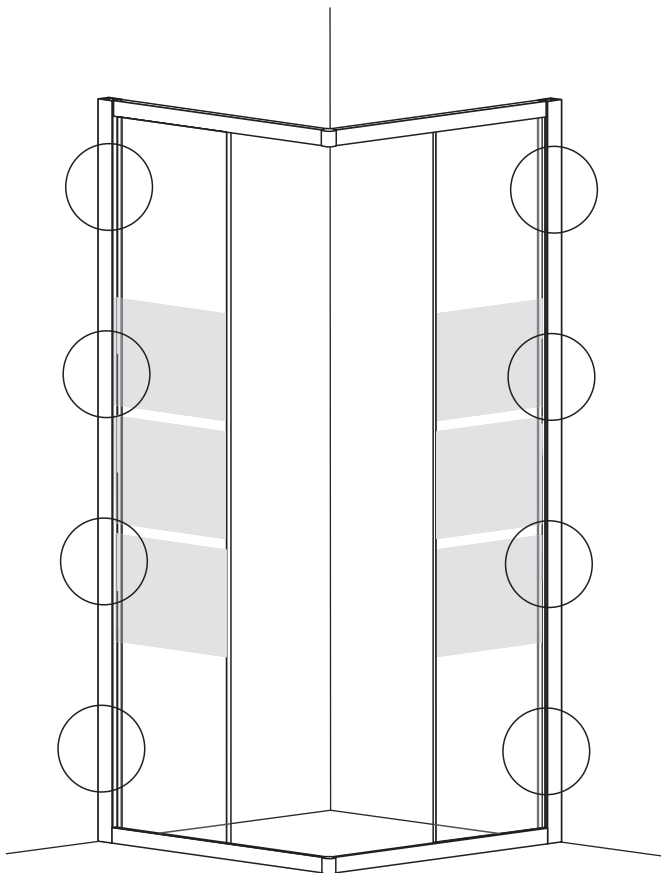
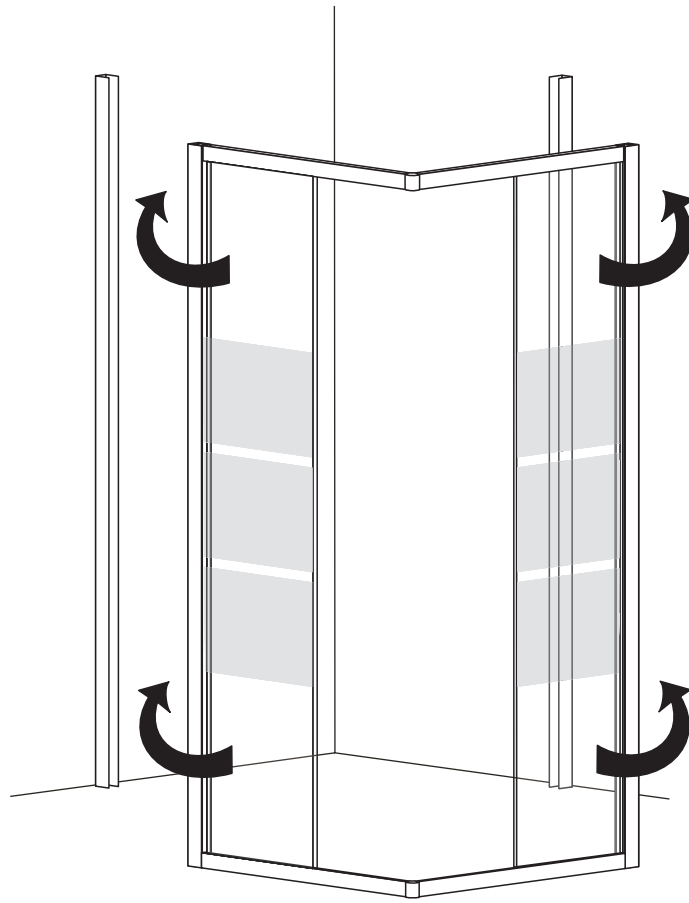
# Installation instructions



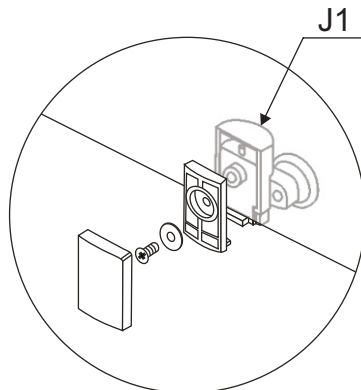
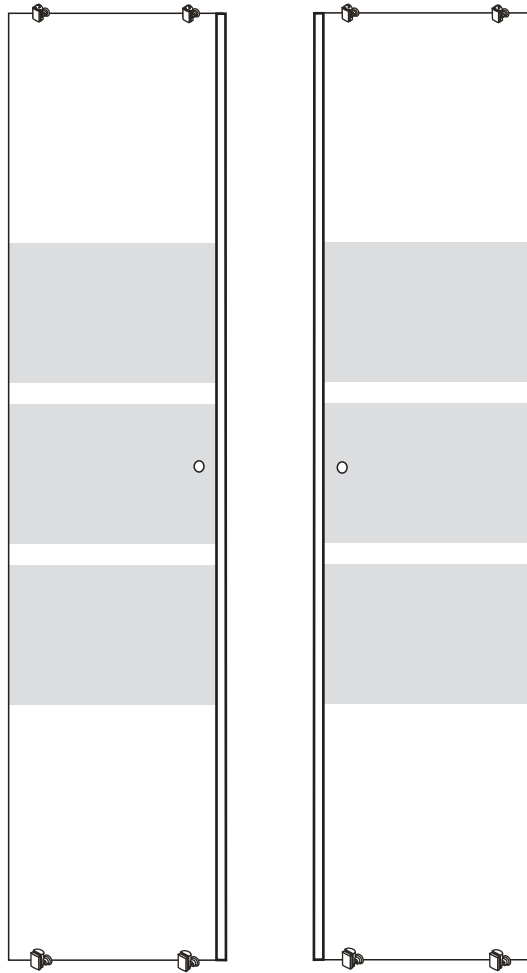
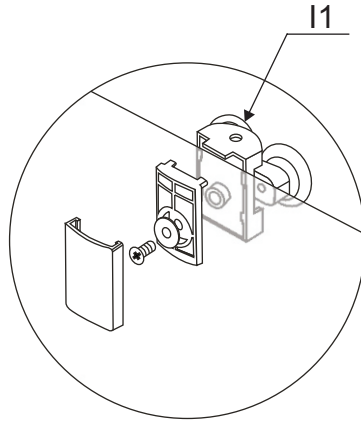
L1  
 $\Phi 3\text{mm}$

C1  
4-st4x10 mm

# Installation instructions

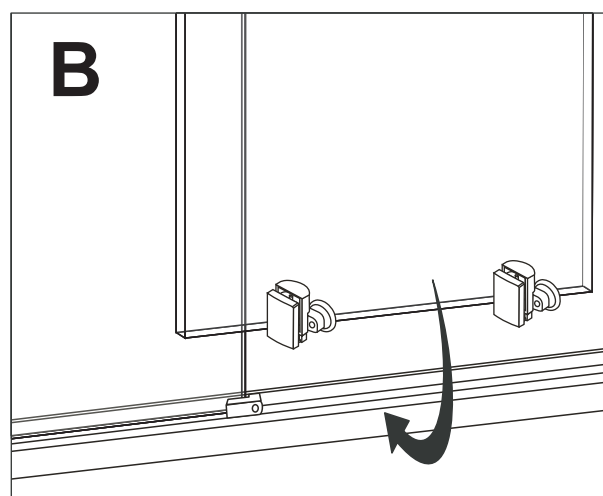
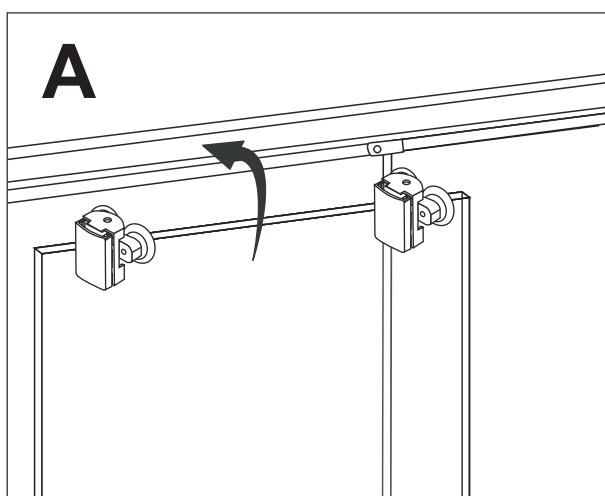
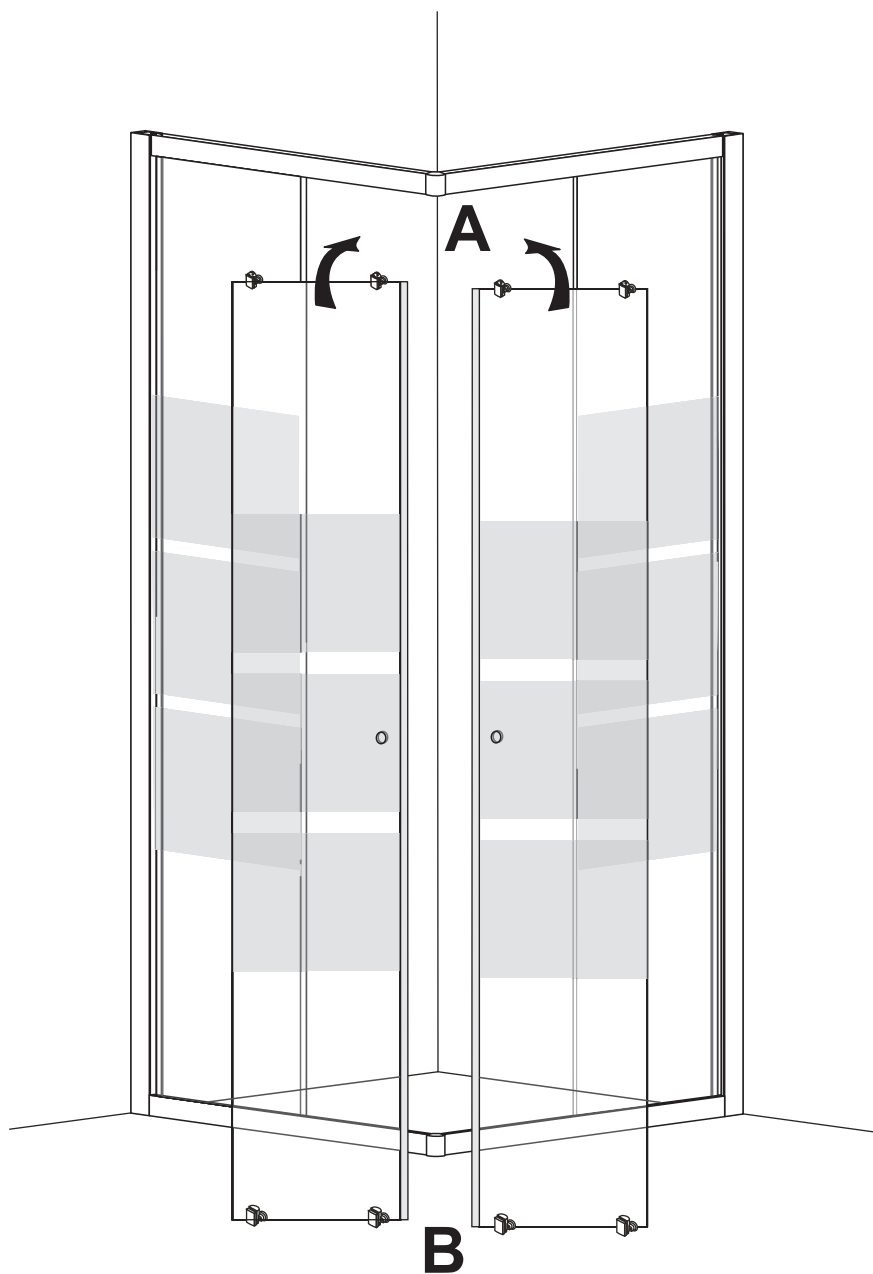


# Installation instructions

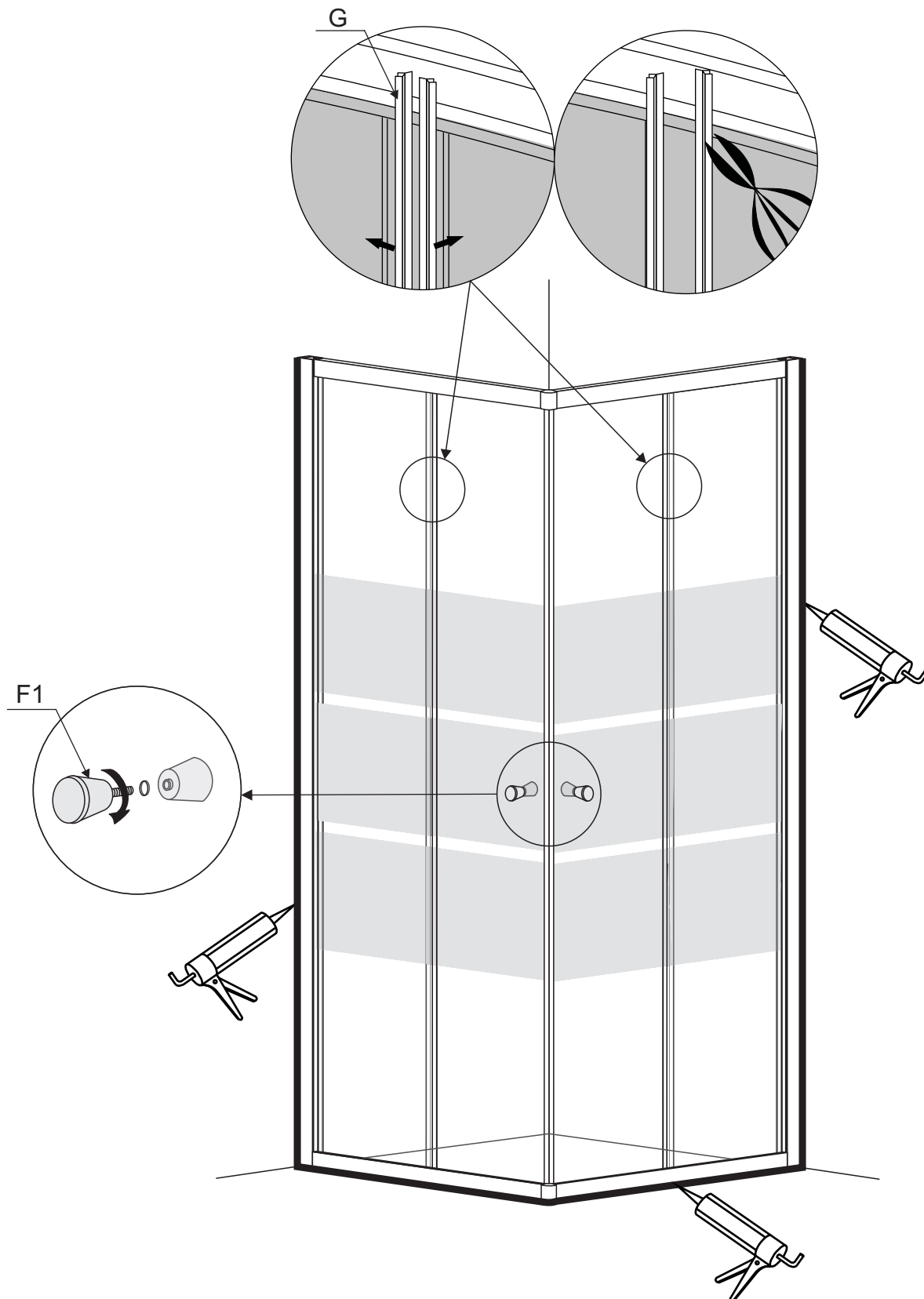




# Installation instructions



# Installation instructions



- Apply silicone sealant to all joints between wall profiles and tray.
- Do not use the enclosure for 24 hours, to allow the silicone to dry completely.

