

ESPEJO BLACK STREAM- 500, 700

General information

Vertical mirror with a rotating metal frame to hang on the wall.
Extendable bar

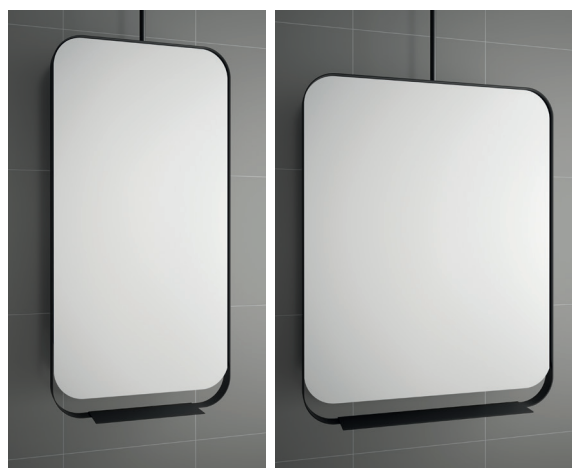
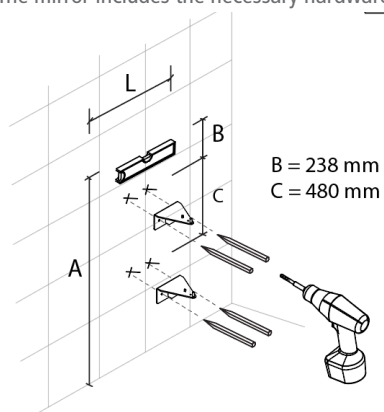
- 500x1000 mm
- 700x900 mm

Materials

- **Metal frame:** Aluminum metal frame lacquered in matt black with epoxy paint.
- **Moon:** Moon mirror thickness 4mm. (It has a security sheet against breakage)

Wall mount

The mirror is hung on the wall using plates that allow it to be rotated
(The mirror includes the necessary hardware for its placement)



The mirror is placed vertically.

Dimensions and packaging weight according to mirror measurement in mm.

	500x1000	700x900
Volume d ³	34,65	42,75
Net weight Kg.	15,34	19,32
Gross weight kg	14,30	17,45

Frame finishes



Negro mate

Dimensional sketch

