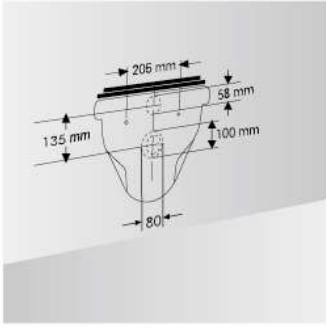
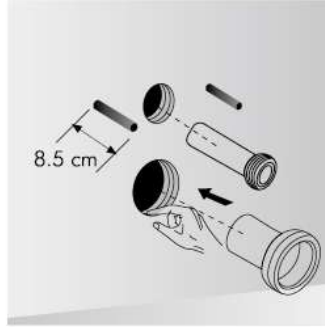


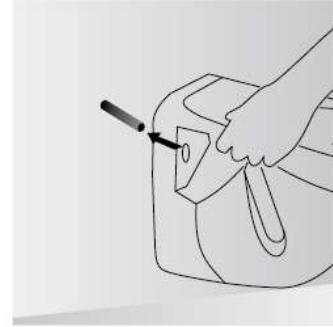
Installation Instruction



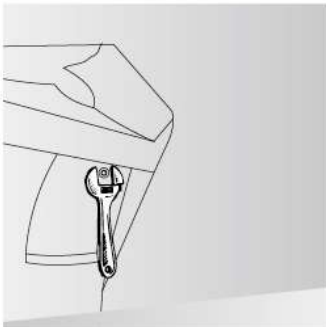
Fix the rag-bolts in the wall at the distances as per the dimensions of the products. Follow the same procedures for drilling the inlet and outlet holes.



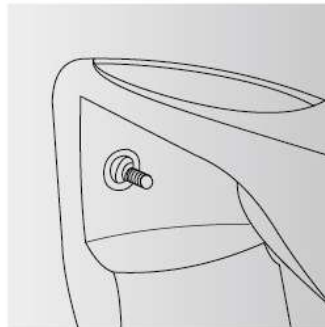
Ensure that the rag-bolts are projecting to a distance of at least 8.5 cm from the walls. Fix the connectors to the respective holes.



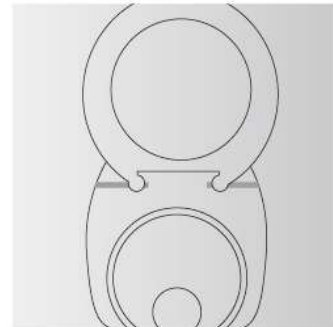
Fix the closet in the rag-bolts and insert the washers and nuts.



Tighten the washers and nuts using spanner.

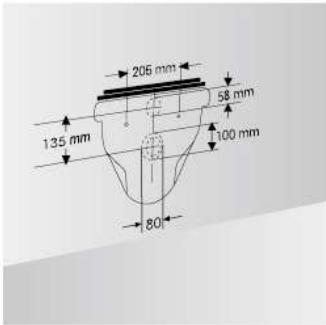


After tightening, ensure that there is no gap between the appliance and the wall. If so, use sealant to fill the gap.

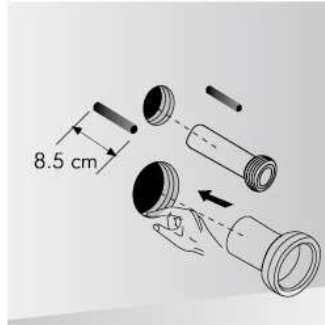


Now, Install the seat cover using the fixing accessories providing along with it.

Installation Instruction



Fix the rag-bolts in the wall at the distances as per the dimensions of the products. Follow the same procedures for drilling the inlet and outlet holes.



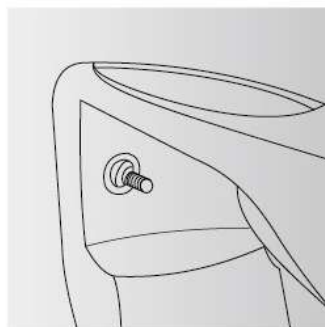
Ensure that the rag-bolts are projecting to a distance of at least 8.5 cm from the walls. Fix the connectors to the respective holes.



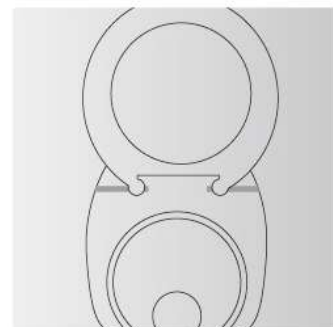
Fix the closet in the rag-bolts and insert the washers and nuts.



Tighten the washers and nuts using spanner.



After tightening, ensure that there is no gap between the appliance and the wall. If so, use sealant to fill the gap.



Now, Install the seat cover using the fixing accessories providing along with it.