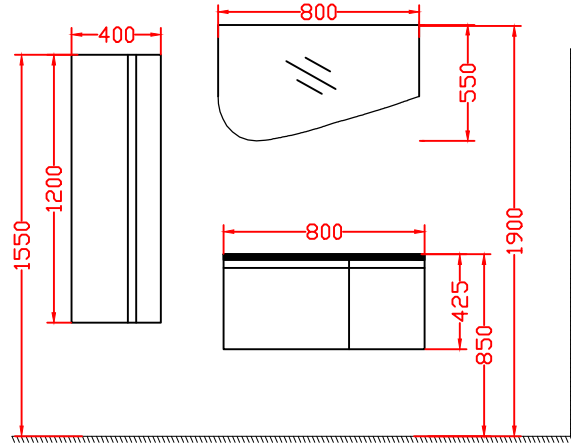


1422080 Instructions of assembly

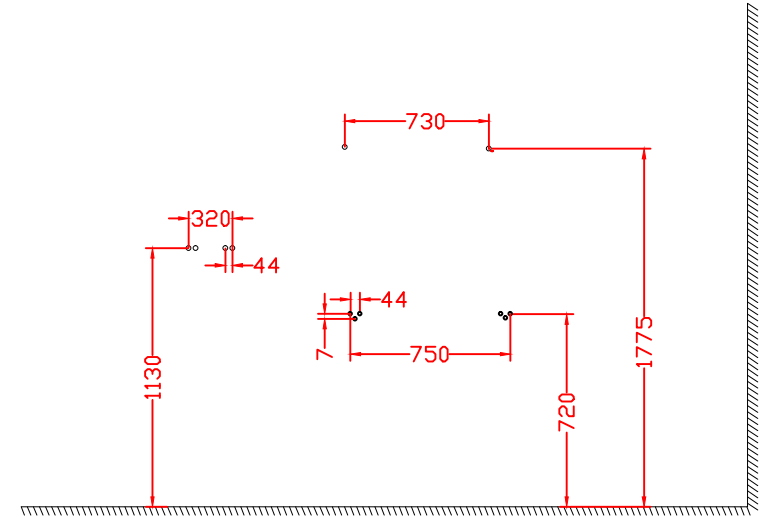
Tool Needed

1. Tape measure(Max 3 Metre)
2. Horizontal ruler
3. Cross Screw driver
4. Electric drill
5. Hammer



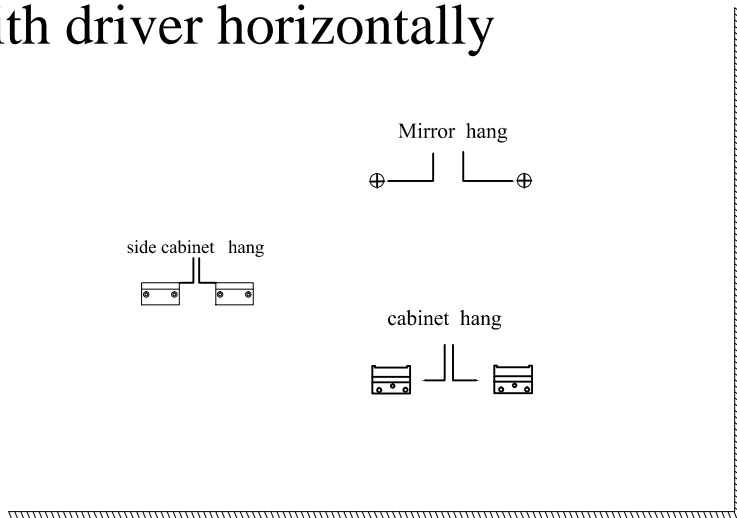
STEP 1)

As drawing shows, make holes horizontally with drill



STEP 2)

As drawing shows, fix the screw into the wall with driver horizontally



STEP 3)

Suspending cabinets ,then adjust perfectly

