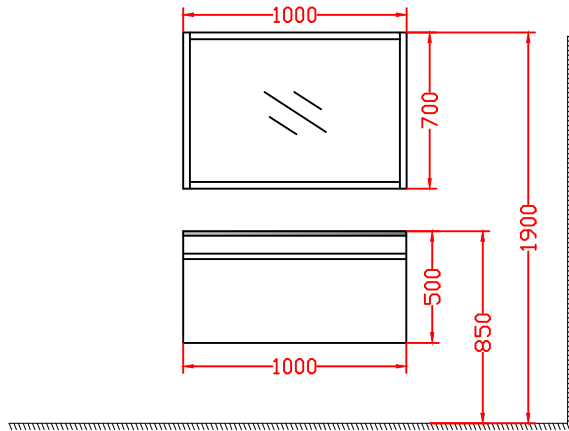


1707100 Instructions of assembly

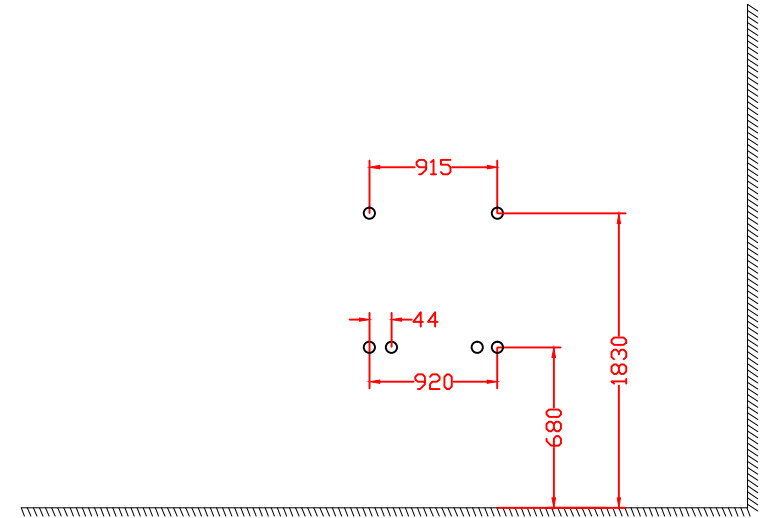
Tool Needed

1. Tape measure(Max 3 Metre)
2. Horizontal ruler
3. Cross Screw driver
4. Electric drill
5. Hammer



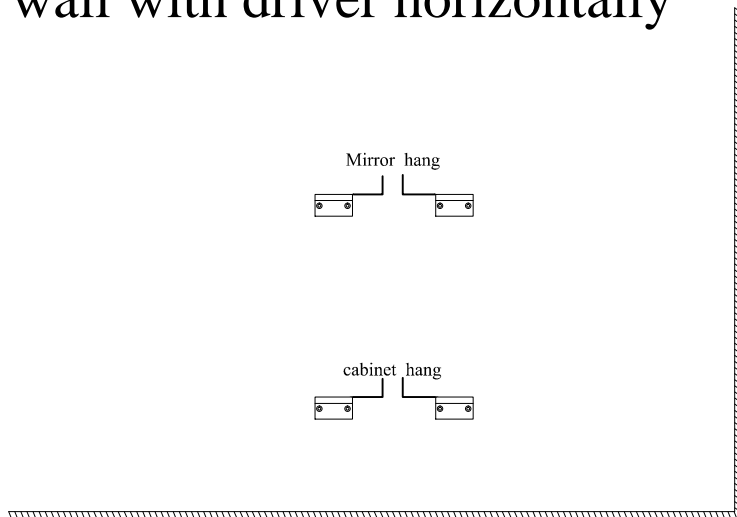
STEP 1)

As drawing shows, make holes horizontally with drill



STEP 2)

As drawing shows, fix the screw and hanger into the wall with driver horizontally



STEP 3)

Suspending mirror and cabinets into hangers, then adjust horizontally and perfectly

