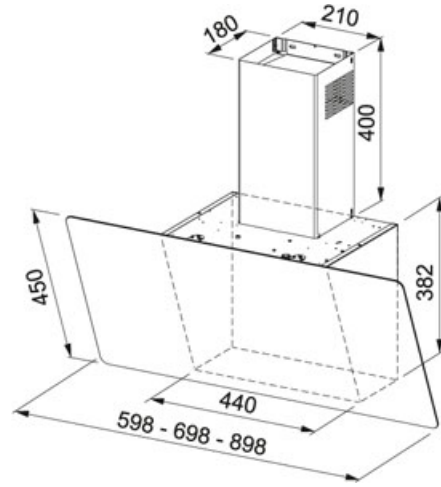


# Stainless Steel-Glass Black | 330.0516.054

FAMILY : Hoods | SERIE : Vertical Evo | MODEL : FPJ 615 V BK A | INSTALLATION TYPE : Wall hoods | FINISH : Stainless Steel-Glass Black



## TECHNICAL DATA

m <sup>3</sup> /h max. (IEC 61591)	640-M3/H
m <sup>3</sup> /h min. (IEC 61591)	320-M3/H
Max. noise level *** (dB(A))	68 dB(A)
Type of control	TOUCH-CONTROL
Pressure* (Pa)	520.00 Pa
Pipe outlet	Ø 150 mm
Min. noise level *** (dB(A))	53 dB(A)
Energy Class	B
m <sup>3</sup> /h Int. (IEC 61591)	730-M3/H
Int. noise level *** (dB(A))	71 dB(A)
Brightness	LEDS-2X1W

## FEATURES

	Filtering Function		New 3 Speed + Intensive
--	--------------------	--	----------------------------