

FAYANS

B-LIBERO

Sanitary ware

SET B-LIBERO: WC PAN

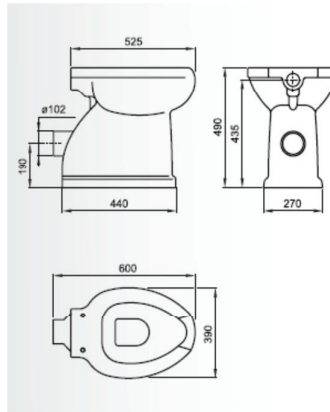
horizontal outlet



NEW



For disabled people



Item Number	Colour
WQ8B154H0000101	white

Packaging: without box

Weight	Pcs/pallet
26,25 kg	12