

# Block FSWC Combi h/o + tank + SC

Ref:H8606410007871



## Product information

Material: Vitreous china  
Shape: Round  
Installation type: FSWC Combi & Tank & SC **PP**  
Color: White  
Tank mechanism (with; without): with 3/6L  
Mounting kit – tank (with; without): with  
Mounting kit - WC (with; without): without  
Weight : 32.0 kg

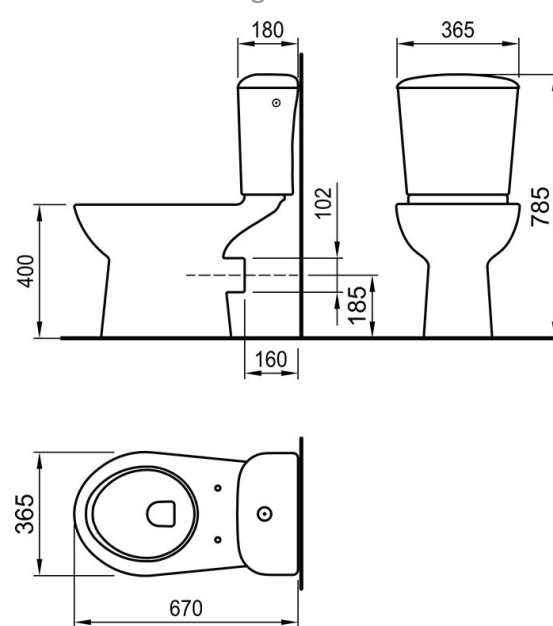


## Packaging and palletizing

Packing: In box  
Pieces per pallet: 12 (3x3x3x3)  
Pallet dimensions L/W/H: 1200/800/2140 mm  
Pallet weight : 414 kg  
Overlapping (yes; no): no

## Technical data:

### Technical drawing



### Dimensions:

Length: 670 mm  
Width: 365 mm  
Height: 785 mm