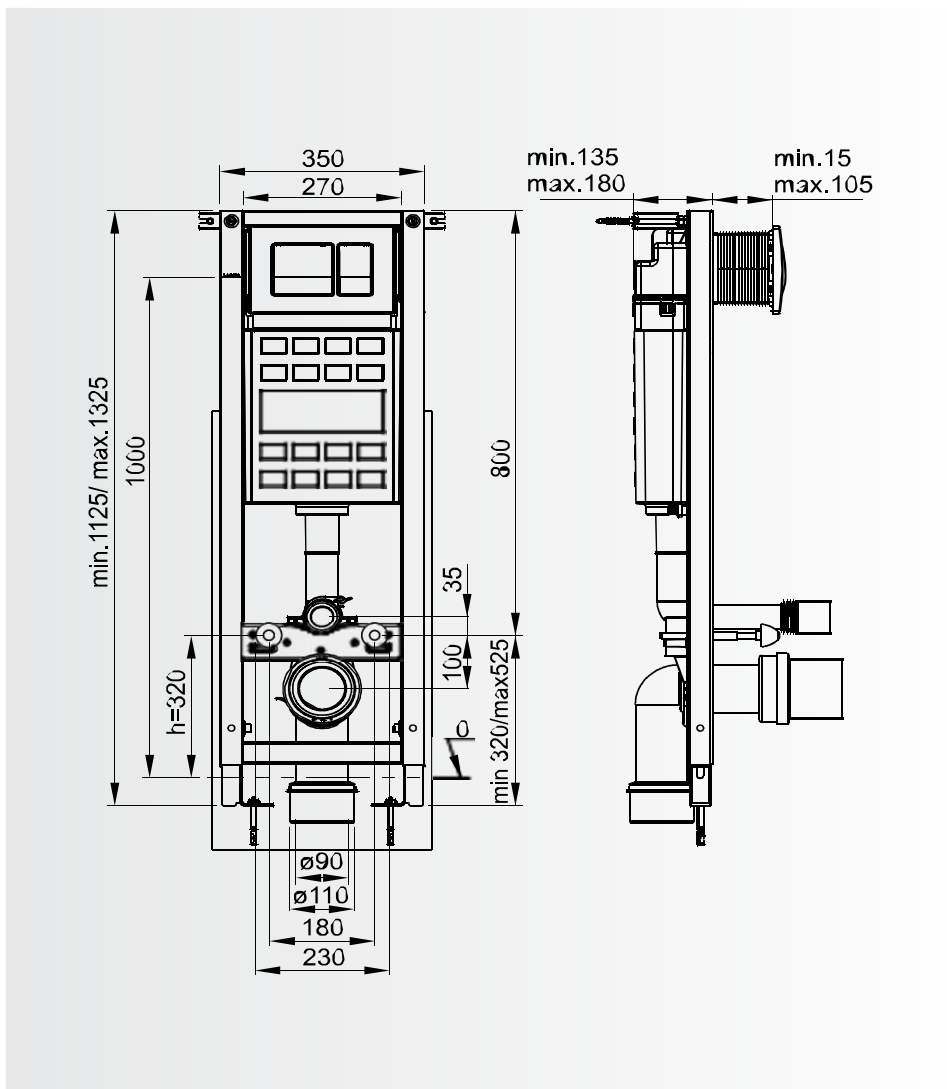




A89P10T010
Rama Roca Compact 350 mm
+ clapeta crom





Properties:

Concealed Cistern

- Dry installation in prefabricated walls
- Universal installation into solid walls
- Manufactured in accordance with EN norms 14055, 14124

Tank

- Manufactured from PEHD material
- Maxim capacity 9L
- Factory-set wash volume 6 / 3 L
- External protection against condensation - EPS material
- Tested on 200.000 cycles



Frame

- 35 cm wide frame
- Depth only 14 cm – frame with a tank
- Adjustable supporting feet's up to 20 cm in height
- Powder coated
- 4x4 cm closed profile steel
- Strong frame, tested (load test) up to 400 kg
- 25 pcs/pallet

