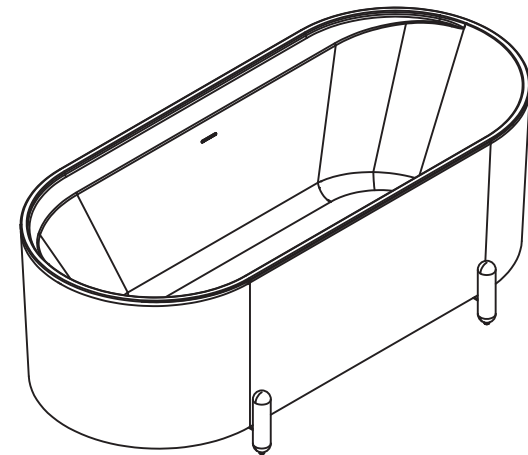


Bathtub Installation Guide

(Acrylic)



This bathtub manual must be given to the user along with the bathtub.
This warranty is only valid if installed by a professional installer following the steps in the instructions.



Precautions Before and After Installation

1. Please check the product for completeness and possible damage immediately after receiving the goods.
2. Inform us immediately if any damage occurs after receiving the goods, we are not responsible for any damage incurred during or after installation.
3. You will need at least two people to install this product properly.
4. Install the bath on an adequately supported, level floor.
5. Before installation, ensure proper access to the final plumbing connections.
6. Please check the door width before starting work, and whether the purchased bathtub can safely pass through the door of the room where the bathtub will be installed.
7. Be careful not to use hoses or mounting parts when handling the tub.
8. Do not lay any circuit under the bathtub. Please use a suitable protective cover during installation to avoid damage to the product surface or internal blockage due to falling debris or dust during installation.
9. Check the waterproofness of the bathtub. After connecting the water supply and drainage pipes, you must test the water in the bathtub to check whether there is any water leakage.
10. Special precautions: When cleaning tiles, make sure that no ammonia or similar aggressive cleaning agents come into contact with the installed parts.

Note: We reserve the right to modify or change this product without prior notice.

Installation Requirements

A. Tools Required (Not Included)



Wrench



Tape measure



Spirit level



Safety shoes



Square ruler



Screwdriver



Pliers



Utility knife



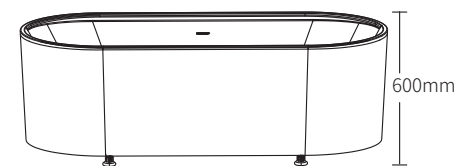
Safety glasses

B. Materials Required (Not Included)

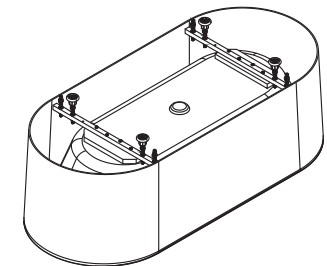
- Wall protector
- Sealing silicone
- Protective covering for the bathtub

Installation Steps

1. Take the bathtub out of the box and place it on the ground, the height (from the ground to the edge of the bathtub) as the reference 600mm.

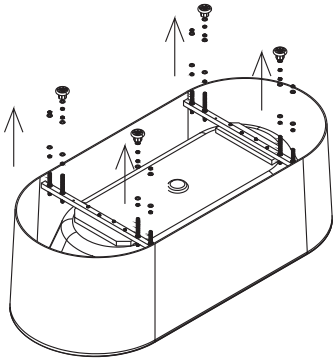


2. Lay a soft blanket on the ground and invert the bathtub as shown in the picture.

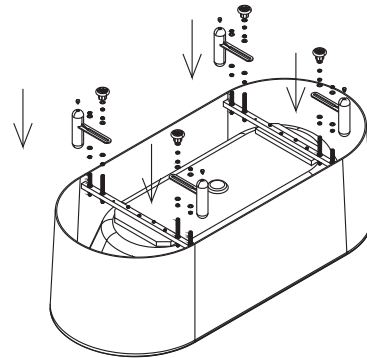


Installation Steps

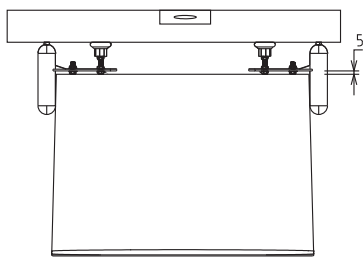
3. Remove the screws related to the load-bearing feet of the bathtub as shown in the picture.



4. Install the relevant screws, bathtub load-bearing feet, and corresponding decorative feet, and then install the adjustable rubber pads on the decorative feet.



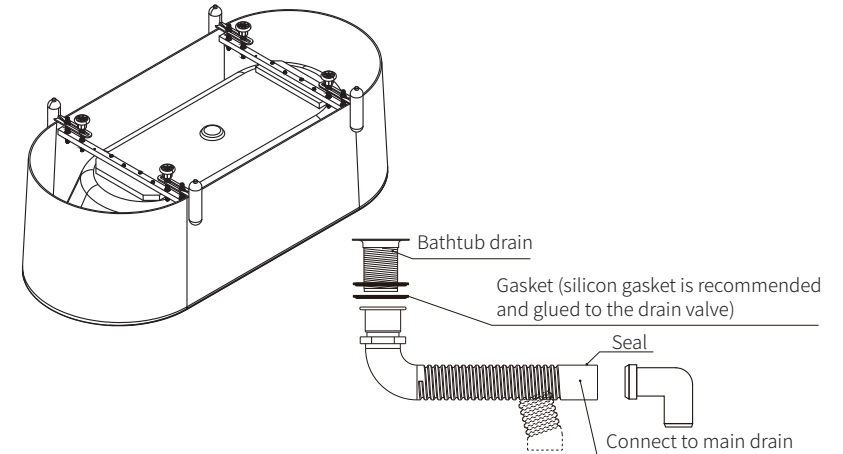
5. Level the weight-loading feet and make sure they are 2-3mm above the decorated feet, and if possible, keep the height as the reference 600mm.



⚠ Attention: Maintain a gap of about 5mm between the decorative foot piece and the bottom of the tub

Installation Steps

6. Please connect the bathtub downer to the drain. (After installation, fill with water to check if the seal is good)



7. After the installation, please clean the floor, and finally clean the bathtub with arag dipped in a neutral detergent.

