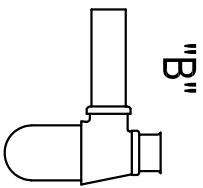
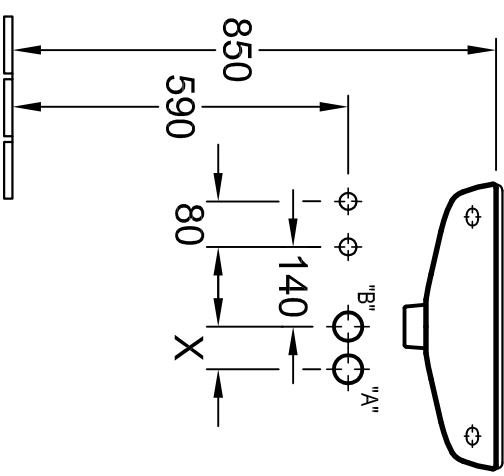
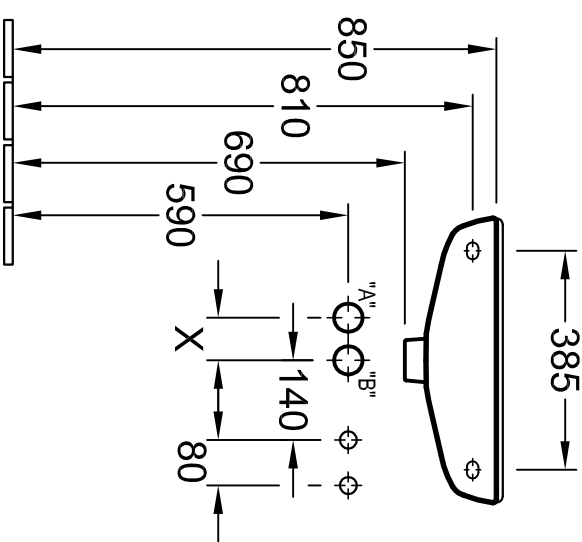


"A"



"B"



Designation

O.novo
5361 50_5361 51 - Handwashbasin

Villeroy & Boch

Altered:	Approved by:	RK
	Date:	18.11.2010
	Signed:	SEW
	Date:	02.2010

This drawing may not be copied or passed on to third parties or competitive companies without our permission. Villeroy & Boch accepts no liability whatsoever for these data and technical drawings. Other parties use them at their own risk. The dimensions indicated are not binding. Villeroy & Boch reserves the right to make product changes.