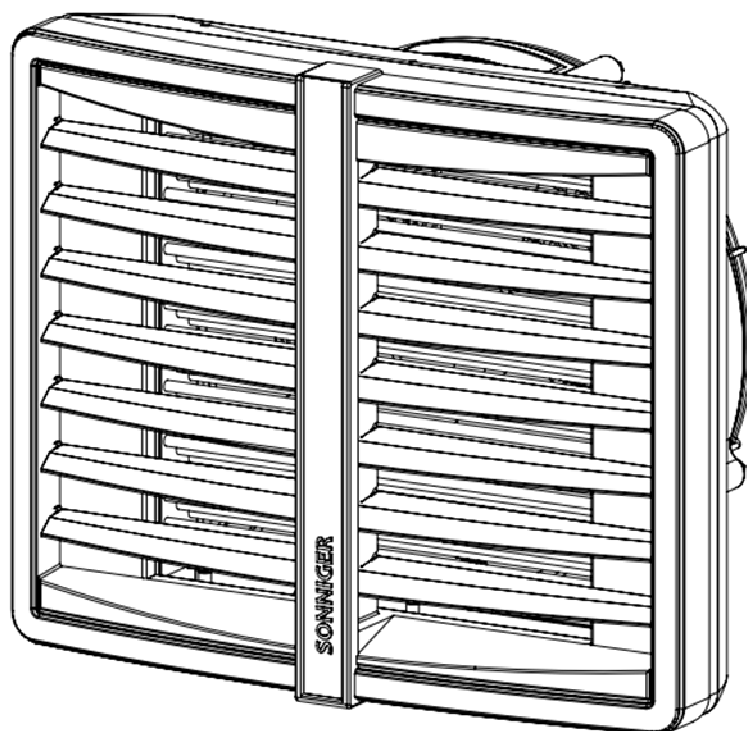


## OPERATION AND MAINTENANCE DOCUMENTATION



---

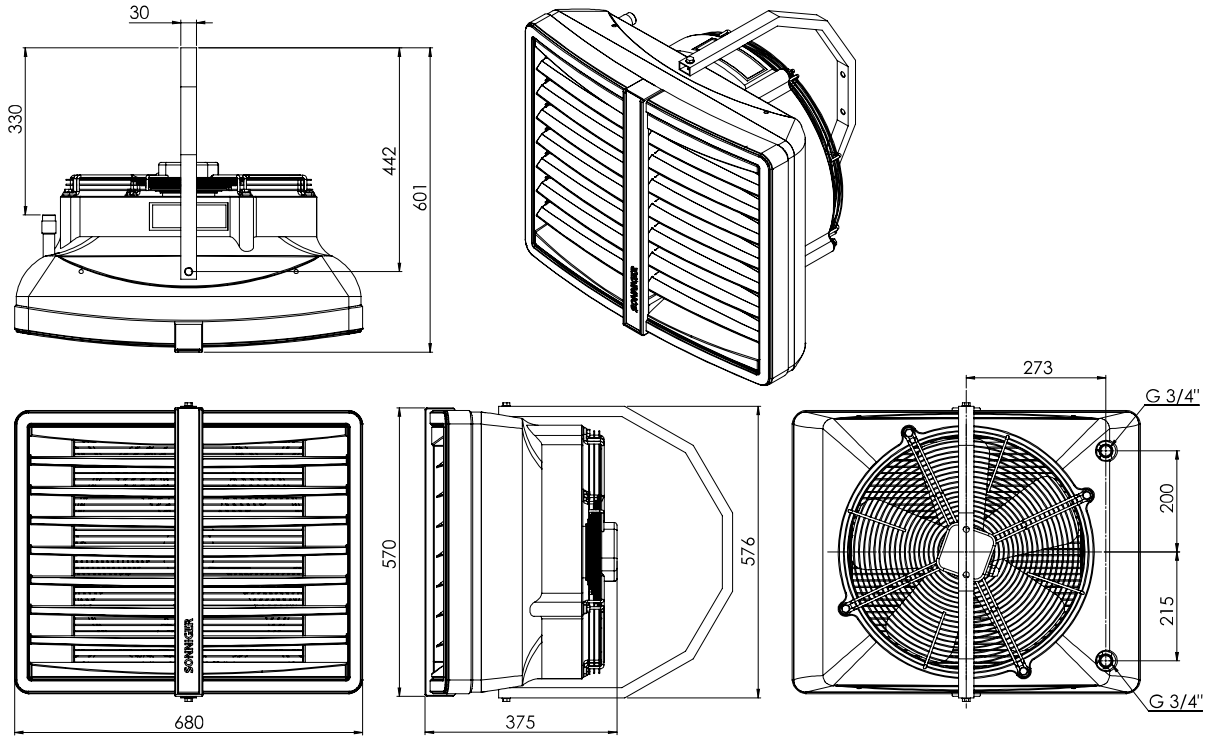
**SONNIGER Polska Sp. z o.o. Sp.K.**  
ul. Śląska 35/37, 81-310 Gdynia, Poland, tel. + 48 58 785 34 80, [www.sonniger.com](http://www.sonniger.com)

Sąd Rejonowy Gdańsk-Północ, VIII Wydział Gospodarczy Krajowego Rejestru Sądowego, KRS 0000504509,  
NIP 586 227 35 14, Regon 22154369 kapitał zakładowy: 1.655.000 PLN

## 1. INTRODUCTION

HEATER heating and ventilation devices are designed to be applied in the buildings of small and medium capacity, especially such as: production and warehouse halls, car showrooms and service stations, sports halls and stadiums, sacral buildings and churches, retail stores and wholesales outlets, agricultural facilities, exhibition surfaces.

## 2. DIMENSION AND BASIC TECHNICAL PARAMETERS



Basic elements of HEATER devices :

- 🔧 Casing made of highly resistant EPP (expended polypropylene) material
- 🔧 Regulated air-conduits
- 🔧 Installation bracket
- 🔧 3 step axial fan 450 mm dimension; fan is protected from direct access to revolving elements with safety netting
- 🔧 Heat exchanger – (Cu/AL) made of copper tubes placed in an aluminum lamellar exchanger /block with stub connection 1/2, 3/4". Stub connections are equipped with air-release valves and heat outlet vent.

parametry		HEATER R1	HEATER R2	HEATER R3	HEATER MIX
No of unit rows	-	1	2	3	-
Max air output	[m³/h]	4 900	4 600	4 400	5 500
Heat output range	[kW]	10-30	30-50	50-70	-
Air temperature increase*	[°C]	18	33	48	-
Max working pressure	[Mpa]	1,6	1,6	1,6	-
max airflow range	[m]	27	25	24	15 **
Diameter of connection nozzles	[inch]	3/4"	3/4"	3/4"	-
Power supply	[V/Hz]	230/50 1,15 A	230/50 1,15 A	230/50 1,15 A	230/50 1,15 A
Motor power	[kW]	0,25	0,25	0,25	0,25
Motor speed	[turn/min]	1350	1350	1350	1350
Protection class IP	-	IP54	IP54	IP54	IP54
Sound level	dB (A)***	56	56	56	56
Weight without water/ with water	[kg]	10,8 / 11,9	12,7 / 14,8	14,5 / 16,9	9,2

\*for temperatures of 90/70 and inlet temperature of 0°C

\*\*maximum height of assembly for vertical airflow, max working range of up to 380m². Horizontal range of isothermal stream at velocity boundary/speed limit of 0,5 m/s

\*\*\*measurement obtained when 5 m away from the device

### 3. GENERAL INFORMATION

HEATER heating and ventilation devices are manufactured in compliance with standards concerning quality, ecology, utility and work comfort.

HEATER devices are delivered ready-to-use in a cardboard package that is to protect from mechanical damages. The package consists of: the device, the Manual (Operation and Maintenance Documentation) and Guarantee. If the optional automatic control ordered, it shall be delivered in a separate package. Make sure all the aforementioned elements are in the package immediately after the delivery. In the absence of any element, please fill in the suitable carrier document.

#### ATTENTION !

- ❶ Przed Before mounting read the manual carefully and adhere to the rules concerning the mounting procedures. Not applying may result in inappropriate functioning of the device and the loss of the guarantee rights.
- ❶ Pay special attention when working with electrical elements of the device.
- ❶ Any installation operations must be carried out by qualified persons with appropriate authorizations

### 4. ASSEMBLY

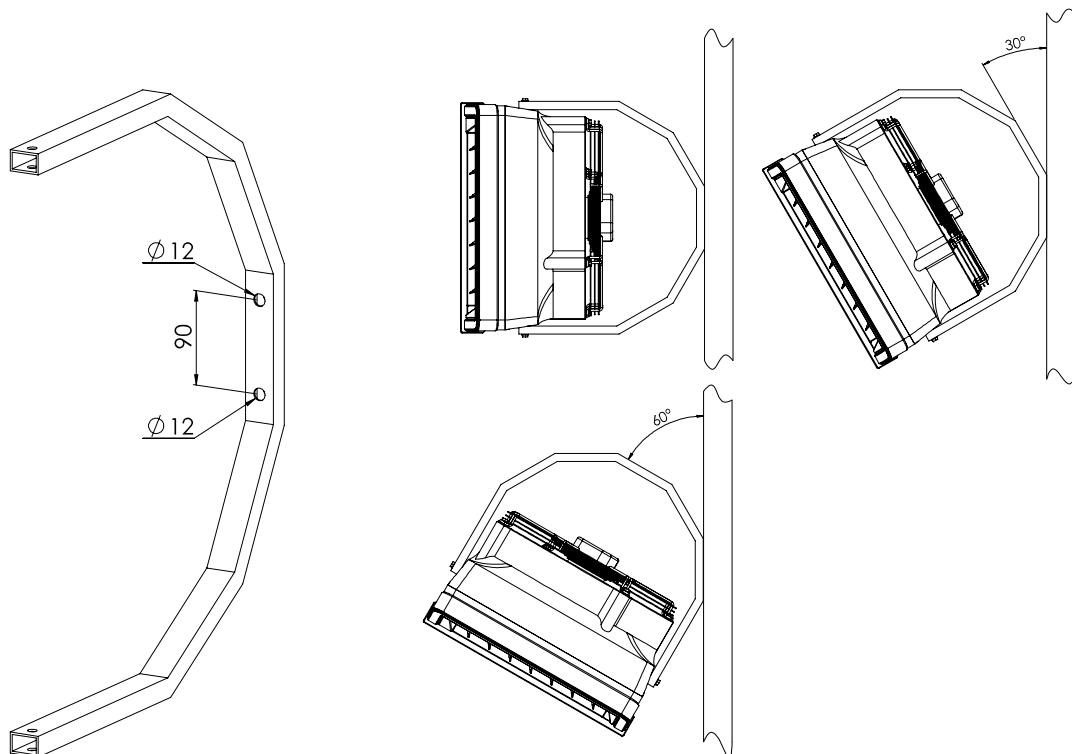
Prior to any installation procedures, take the following aspects into consideration: easy access for maintenance works, access to water and electrical installation, appropriate air distribution in a room.

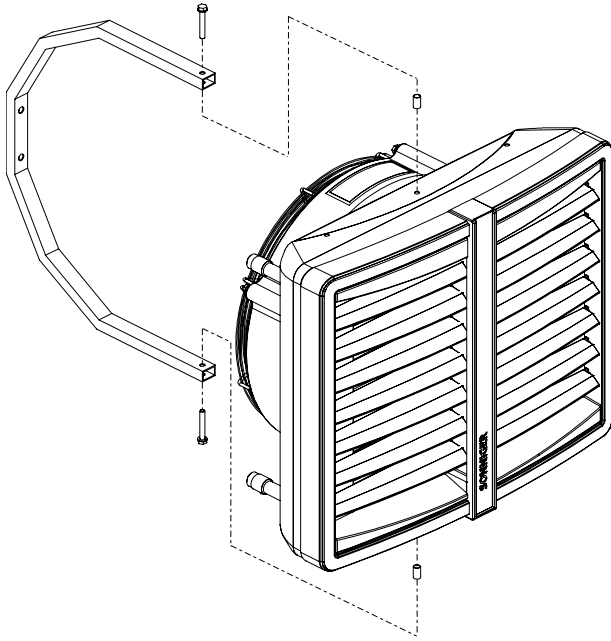
Every HEATER unit is equipped with a set of 3 interchangeable color inserts; in order to change the color, remove the insert from the front panel and place the desired one back in place.

\*It is advisable to mount the device to the wall or the ceiling on original mounting brackets, supporting mount pins (not delivered with the device) or supporting constructions (shapes and dimensions of the supporting construction may be individually designed in compliance with durability and strength requirements).

In case of mounting to the ceiling, pay attention to the fact that air-release/venting of the device may be difficult so it is advisable to place vent at the highest point of the pipework.

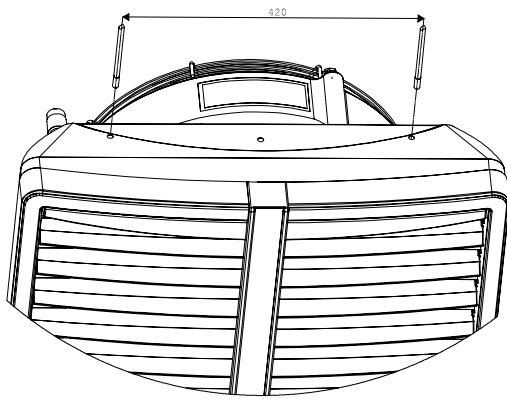
The device may be mounted to the wall with the use of a mounting bracket at the angle of 0°, 30° or 60°. A mounting bracket holder is made of curved profile. It has two holes for vertical assembly. Assembly to the wall and/or to the ceiling is possible at different angles but it requires making necessary holes in the holder.





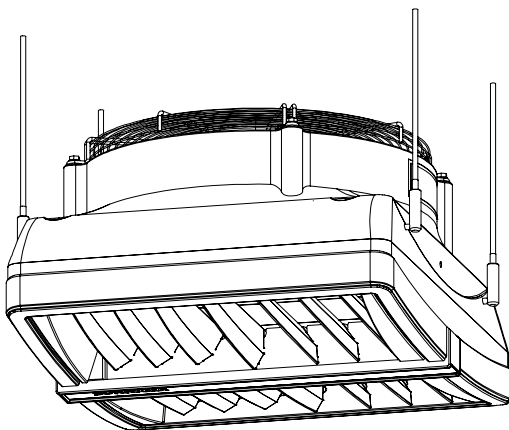
#### Mounting bracket to the heater

The bracket set consist of: a holder, two sleeves, two M8 screws and washers. In order to mount the bracket, drill two Ø12-13mm holes in places visibly marked on the casing. Insert sleeves into drilled holes and place the bracket in. The included holder must be screwed with M8 screws with washers.



#### Installation of mounting pins

To mount the heater to the ceiling, use M8 mounting pins. Drill two Ø8-9mm holes in places visibly marked on the casing. Mounting pins may be screwed into the frame not deeper than 20 mm.



#### Assembly of HEATERMIX air mixer

To mount HEATERMIX air mixer to the ceiling, use M8 mounting pins. Drill two Ø8-9mm holes in places visibly marked on the casing. Mounting pins may be screwed into the frame of a heat exchanger to the maximum depth of 20mm. Mounting pins and connecting elements are not included with the unit.

#### NOTICE !

- ❗ To sustain proper functioning of the device keep a safe distance– 200mm from its sides and 300 mm from its backside (from the fan)

## 5. ELECTRICAL INSTALLATION

The electrical installation and connection to power supply must be done in compliance with the existing regulations and standards for building industry.

The fan's engine is equipped with the internal temperature limit fuse protecting the engine from its overheating.

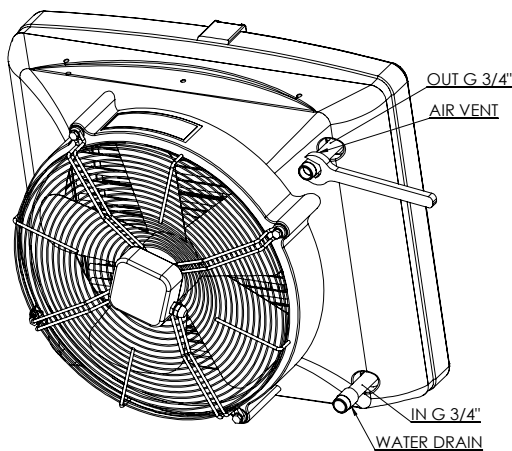
**The unit set does not consist of: a feeding cable, a master switch (see diagram)**

The electrical installation must be done by an authorized person, acquainted with the Manual. The connection of the feeding cable and master switch must be done in compliance with electrical diagram (with or without the automatic control, depending on the option chosen). Any and all damages incurred as a result of the aforementioned causes are not provided with the Guarantee and the user will be charged with any costs of the device exchange. The connection of the automatic control should be carried out in accordance with the electrical diagram.

In case of any doubts or problems, unplug the device and contact the device's installer or SONNIGER Authorized Service.

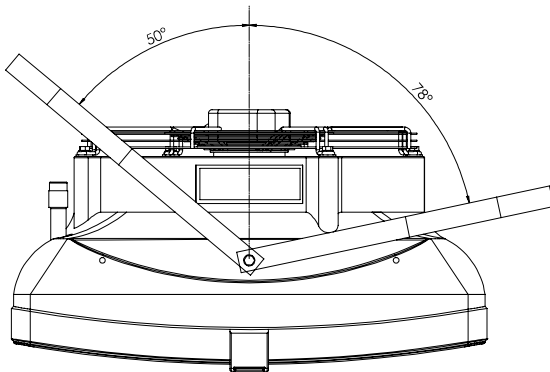
## 6. WATER INSTALLATION

The installation of the unit should be done in a way enabling maintenance service; on both stub pipes manual closing valves should be installed in order to cut off the device. Feeding cables of the heater shall be connected in accordance with the symbols/markings on the casing (inlet/outlet). In case of electromagnetic valve (with the option of the automatic control) it should be installed on the outlet as it may be damaged otherwise. When the pipework is being connected to the exchanger, secure the connections of the heater from oscillating torque (see figure) that may cause leakage in the exchanger.



### Heating medium

The connector pipes are at the back of the device. When connecting the hydraulic pipes/connections, make sure you secure the connector pipes against rotational torque. Notice that the connector pipes are not strained by the pipes. The valve of heating medium is on the supply pipe and the vent is on the return pipe.



Use flexible connections to allow the heater to be turned to the sides. Depending on the flexible connections, the maximum turn is 78° to both sides. Figure shows maximum angle to one side and 50° to the other with minimal distance left for connections.

## 7. AUTOMATIC CONTROL – INSTALLATION

A set of automatic control may be used (powered 230V) that consists of the following:

- ☛ COMFORT panel – including room thermostat and switch for regulation of 3 speeds of fan. One COMFORT panel may regulate up to 3 pcs of HEATER units
- ☛ 2-way water valve with actuator; valve should be installed on a return stub of the heater
- ☛ INTELLIGENT electronic control panel with an automatic speed controller, weekly program and BMS communication. One INTELLIGENT panel may regulate up to 2 pcs of HEATER units
- ☛ Splitter MULTI 6 - control up to 6 pcs of HEATER units from one COMFORT or INTELLIGENT Panel

The system is ready to start once the connections between the thermostat and the valve actuator are done, 230V power is supplied to the thermostat and the fan's motor is powered by the revs controller.



### COMFORT panel description

**ON/OFF** – turning ON/OFF a unit

**I-II-III** – switch for fan speed regulation

**HEAT** - thermostat sends signal for valve and actuator and fan, fan turns off when temperature in room is achieved, valve/actuator closes water supply.

**FAN** – function not active, unit will not operate when FAN switch is selected

**COOL** – thermostat sends signal only to fan, fan begins operation starting from temperature which is set on thermostat (function used to air mixer HEATER MIX or for room ventilation in summer season)

## 8. FIRST START

Do all the connections (electrical, water and automatic control), check for tightness of all connections done by an installer and air-release/vent the device then start the device in the following sequence:

1. Switch on the mains,
2. Set requested speed of fan on revs controller,
3. Set requested temperature on thermostat,

The fan operates continuously irrespective of whether the heater's valve is opened or not.

## 9. TURNING OFF

To switch the device off do the following:

1. Set minimum temperature on thermostat – after 7 seconds valve will be closed and heating switched off.
2. Set main switch to the "0" position (off); fan will be switched off and the thermostat will be off the power.

## 10. OPERATION

The engine and fan used in HEATER units are maintenance-free devices but regular check-ups are advised, especially motor and bearing (fan's rotor should rotate freely, free from any axial and radial throws and undesired knocks/rattles).

### NOTICE !

- ⓘ In case of any metallic knocks, vibration or increase in sound level check if the fan mounting/fixing does not work loose contact the installer or SONNIGER Authorized Service

## 11. MAINTENANCE

The heat exchanger requires systematical cleaning all dirt /impurities off. Before the start of the heating period the heat exchanger is advised to be cleaned with compressed air directed to the air outlets; there is no need for dismantling of the device. Pay special attention when cleaning the exchanger's fin due to high possibility of damaging them. If fins are bent use a tool specifically designated to carry out such repairs. If the device has not been used for a longer period of time, unplug it before the next use.

The heat exchanger is not equipped with any fire protection device. The heat exchanger may be damaged if the room temperature goes below 0 C.

Anti-freeze liquid must be added to the water circulation/system. Anti-freeze liquid must be appropriate for the material the exchanger is made of (copper) as well as other elements of the hydraulic system/circulation. The liquid must be diluted with water according to the solution recommended by the anti-freeze manufacturer.

12. TECHNICAL PARAMETERS HEATER

HEATER R1																
inlet/outlet water temperature		90/70					80/60					70/50				
inlet air temperature		0	5	10	15	20	0	5	10	15	20	0	5	10	15	20
<b>air flow 4900 m3/h (speed 3)</b>																
heat output	kW	27,5	25,6	23,5	21,4	19,3	23,4	21,5	19,6	17,7	15,8	19,5	17,6	15,8	14,1	12,3
temperature	°C	17,5	21,5	25,5	29,5	33,5	15,0	19,0	23,0	27,0	31,0	12,5	16,5	20,5	24,5	28,5
water flow	m3/h	1,1	1,0	1,0	0,9	0,7	0,9	0,8	0,8	0,7	0,7	0,7	0,6	0,6	0,5	0,5
pressure drop	kPa	2,0	1,8	1,6	1,4	1,2	1,4	1,2	1,0	0,8	0,6	0,9	0,8	0,8	0,7	0,6
<b>air flow 3450 m3/h (speed 2)</b>																
heat output	kW	22,5	20,4	18,3	16,2	14,1	18,9	17,0	15,9	14,0	12,1	15,1	13,4	11,6	10,0	8,4
temperature	°C	19,0	23,1	26,5	30,5	34,5	16,5	20,4	24,5	29,3	33,2	14,6	18,5	22,5	26,5	30,5
water flow	m3/h	0,9	0,8	0,8	0,7	0,6	0,7	0,6	0,6	0,5	0,4	0,5	0,4	0,4	0,3	0,2
pressure drop	kPa	1,4	1,2	1,0	0,8	0,6	0,9	0,8	0,7	0,7	0,6	0,6	0,5	0,5	0,4	0,3
<b>air flow 2450m3/h (speed 1)</b>																
heat output	kW	19,4	17,3	15,4	13,4	11,5	15,3	13,6	12,0	10,3	8,4	13,1	11,5	9,9	8,3	6,7
temperature	°C	21,1	25,1	29,0	33,0	37,1	19,0	23,0	27,1	30,9	34,9	16,6	20,6	24,5	28,5	32,6
water flow	m3/h	0,7	0,6	0,5	0,5	0,4	0,5	0,4	0,4	0,3	0,2	0,3	0,3	0,2	0,2	0,1
pressure drop	kPa	1,0	0,8	0,8	0,7	0,6	0,7	0,7	0,6	0,5	0,4	0,4	0,4	0,3	0,2	0,1

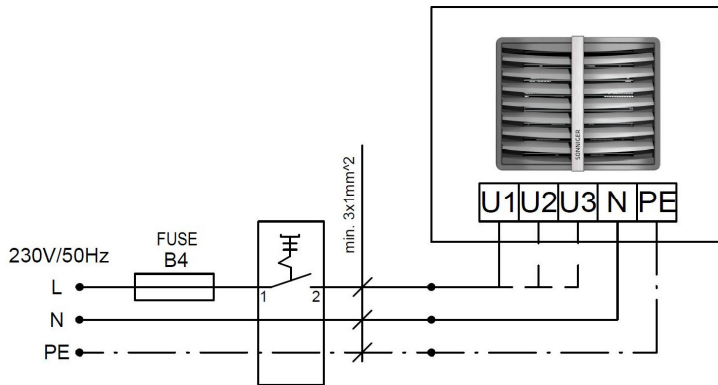
HEATER R2																
inlet/outlet water temperature		90/70					80/60					70/50				
inlet air temperature		0	5	10	15	20	0	5	10	15	20	0	5	10	15	20
<b>air flow 4600 m3/h (speed 3)</b>																
heat output	kW	48,4	44,9	41,5	38,0	34,6	41,5	38,0	34,5	30,9	27,4	34,6	31,2	27,8	24,4	21,0
temperature	°C	32,5	35,4	38,5	41,5	44,6	28,5	31,5	34,4	37,5	40,5	24,0	26,9	29,9	33,0	36,1
water flow	m3/h	1,9	1,8	1,8	1,7	1,5	1,8	1,6	1,5	1,4	1,2	1,4	1,2	1,1	1,0	0,9
pressure drop	kPa	10,6	9,7	8,8	7,9	7,0	7,6	6,7	5,8	4,9	4,0	5,3	4,6	3,7	2,8	1,9
<b>air flow 3250 m3/h (speed 2)</b>																
heat output	kW	39,5	36,8	33,9	30,8	27,5	33,5	30,5	27,8	24,2	21,4	27,4	24,3	21,6	18,9	15,0
temperature	°C	34,5	37,3	40,3	43,2	46,2	30,5	33,0	36,1	39,2	42,2	26,0	28,9	32,0	35,0	38,1
water flow	m3/h	1,7	1,6	1,5	1,4	1,3	1,5	1,4	1,2	1,1	1,0	1,2	1,1	0,9	0,8	0,7
pressure drop	kPa	6,2	5,4	4,5	3,4	2,5	5,2	4,3	3,6	2,7	1,8	3,7	2,8	2,1	1,6	1,2
<b>air flow 2300 m3/h (speed 1)</b>																
heat output	kW	32,0	28,7	25,8	23,9	20,9	27,1	24,7	22,5	20,3	18,2	22,2	19,7	17,2	14,7	12,1
temperature	°C	37,0	39,8	42,8	45,7	48,5	33,0	35,4	37,7	41,6	44,6	29,0	31,5	34,6	37,5	40,6
water flow	m3/h	1,4	1,2	1,2	1,1	1,0	1,2	1,1	1,0	0,9	0,8	0,9	0,8	0,8	0,9	0,6
pressure drop	kPa	3,9	3,5	3,0	2,6	2,2	2,9	2,6	2,3	1,8	1,5	2,0	1,8	1,5	1,2	0,9

HEATER R3																
inlet/outlet water temperature		90/70					80/60					70/50				
inlet air temperature		0	5	10	15	20	0	5	10	15	20	0	5	10	15	20
<b>air flow 4400 m3/h (speed 3)</b>																
heat output	kW	67,6	63,4	59,3	55,1	51,1	58,4	54,2	50,1	46,1	42,3	49,2	45,3	41,6	38,3	34,4
temperature	°C	47,5	50,0	52,0	54,0	56,0	41,5	44,0	46,0	48,0	50,0	34,5	37,0	39,0	41,0	43,0
water flow	m3/h	2,8	2,8	2,6	2,4	2,2	1,8	2,4	2,2	1,9	1,8	1,9	1,9	1,7	1,5	1,3
pressure drop	kPa	21,7	18,1	15,8	13,7	11,8	16,7	13,6	11,6	9,7	8,1	12,3	9,6	7,9	6,4	5,0
<b>air flow 3100 m3/h (speed 2)</b>																
heat output	kW	54,7	51,5	48,4	45,5	42,4	47,4	44,5	41,6	38,4	35,6	40,1	36,8	33,5	30,1	26,8
temperature	°C	50,5	52,9	55,0	57,1	59,0	44,5	47,1	49,0	51,0	52,9	37,5	40,0	42,1	44,0	46,0
water flow	m3/h	2,2	2,2	2,1	1,9	1,8	1,9	1,8	1,7	1,6	1,4	1,5	1,5	1,4	1,2	1,1
pressure drop	kPa	14,4	11,9	10,4	9,1	7,8	11,1	8,1	7,7	6,5	5,4	8,2	6,4	5,3	4,3	3,3
<b>air flow 2200 m3/h (speed 1)</b>																
heat output	kW	44,2	42,0	40,2	38,4	36,6	38,5	36,6	34,8	32,6	30,8	32,7	30,5	28,4	26,1	23,9
temperature	°C	54,0	56,4	58,5	60,6	62,5	48,0	50,6	52,5	54,5	56,4	41,0	43,5	45,6	47,5	49,5
water flow	m3/h	1,8	1,8	1,7	1,5	1,4	1,5	1,4	1,4	1,3	1,2	1,3	1,2	1,2	0,9	0,8
pressure drop	kPa	9,5	7,8	6,9	6,0	5,1	7,4	5,9	5,1	4,3	3,6	5,5	4,3	3,5	2,8	2,2

### 13. ELECTRICAL CONNECTION DIAGRAMS

#### 1. Connecting HEATER with no automatic control

\* The unit set does not consist of: a master switch, a fuse, a feeding cable



**Fan wiring description**  
 U1 **high** speed – brown  
 U2 **middle** speed – grey  
 U3 **low** speed – red  
 N neutral – black  
 PE protection - yellow/green

#### 2. Connecting a few HEATER units with COMFORT panel, valves and actuators.

\* The unit set does not consist of: a master switch, a fuse, a feeding cable

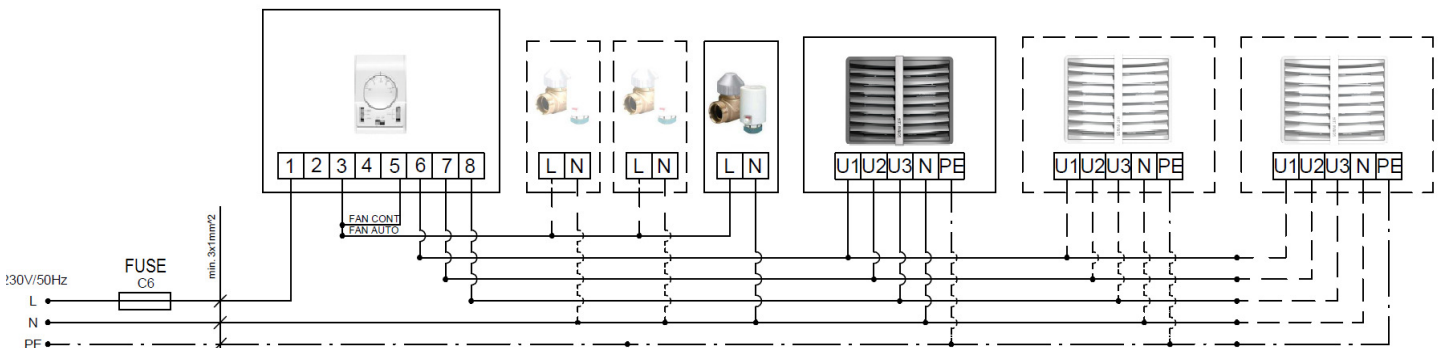
\* One COMFORT panel may regulate up to 3 pcs of HEATER units

**HEAT** - thermostat sends signal for valve/actuator and fan, fan turns off when temperature in room is achieved, valve/actuator closes water supply.

**FAN** – function not active, unit will not operate when FAN switch is selected

**COOL** – thermostat sends signal only to fan, fan begins operation starting from temperature which is set on thermostat (function used to air mixer HEATER MIX or for room ventilation in summer season)

Attention! You can use additional jumper on the contacts 4-5 of COMFORT Panel, in this case you may only use function of changing speed of fan I-II-III and ON / OFF. The thermostat and switches HEAT / FAN / COOL remain not active. Additional jumper on terminals 4-5 might be applied when for ex different (supplied by user) thermostat is used to control the system.

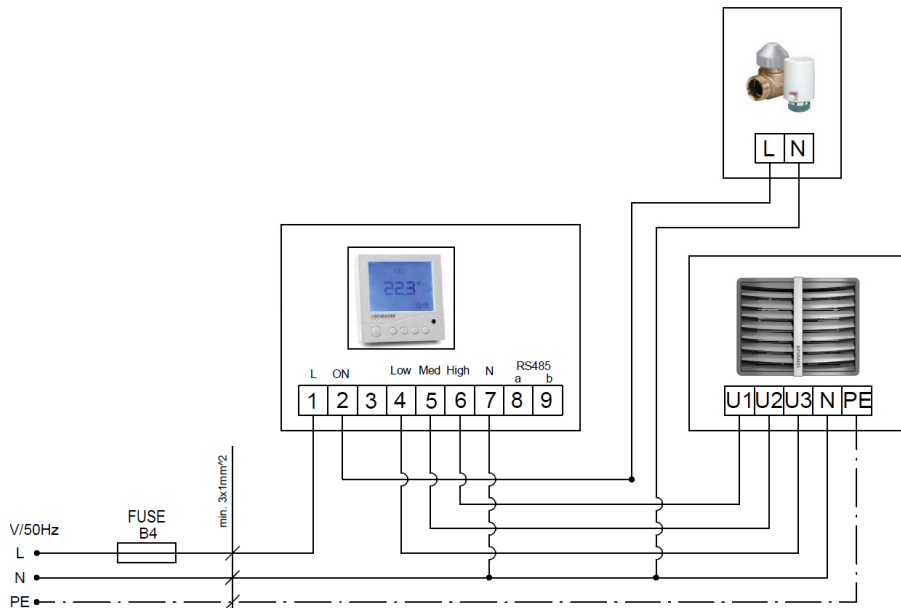




### 3. Connecting HEATER units with INTELLIGENT panel.

Intelligent PSH panel controls actuators/valves and automatically regulates fans' speed depending on the required room temperature. Fans speed changes automatically for lower rate, when temperature in a room gets closer to desired one. Additional functions – weekly thermostat, availability of BMS communication signals

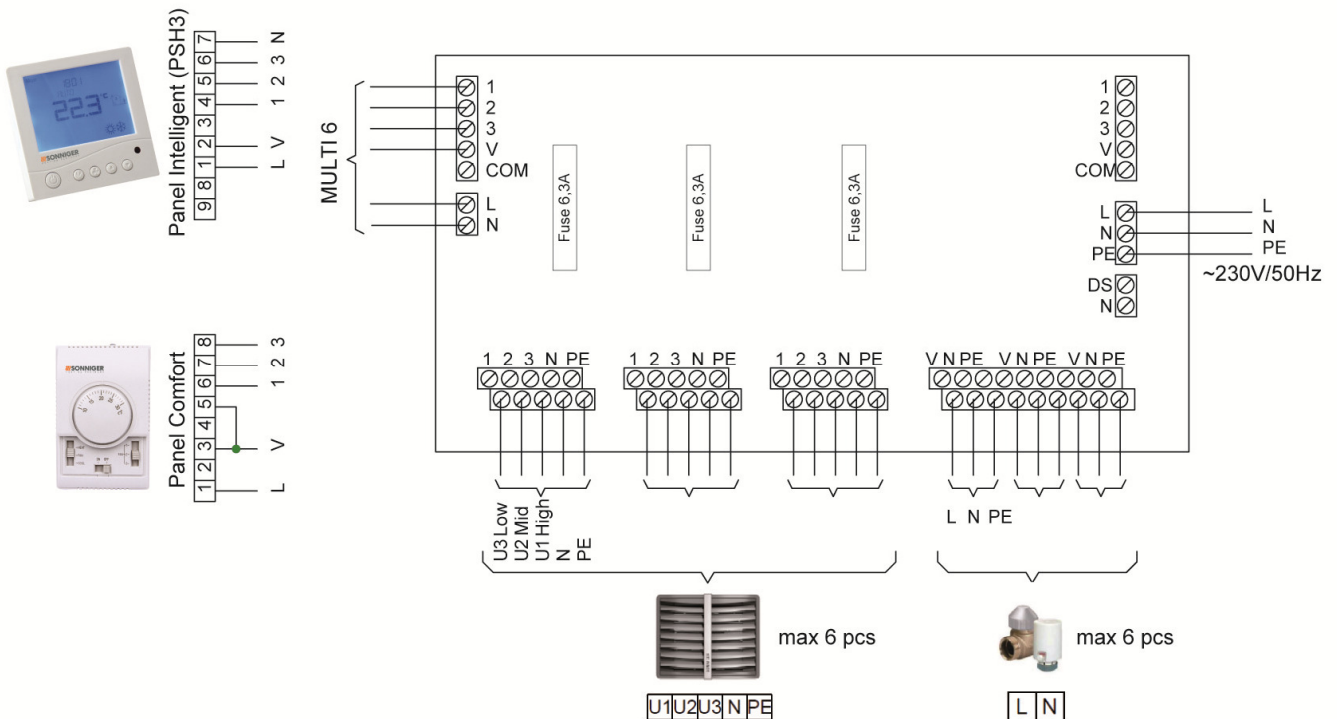
- \* One INTELLIGENT panel may regulate up to 2 pcs of HEATER units
- \* The unit set does not consist of: a master switch, a fuse, a feeding cable



### 4. Splitter MULTI 6 - control up to 6 pieces of HEATERS from one COMFORT or INTELLIGENT Panel

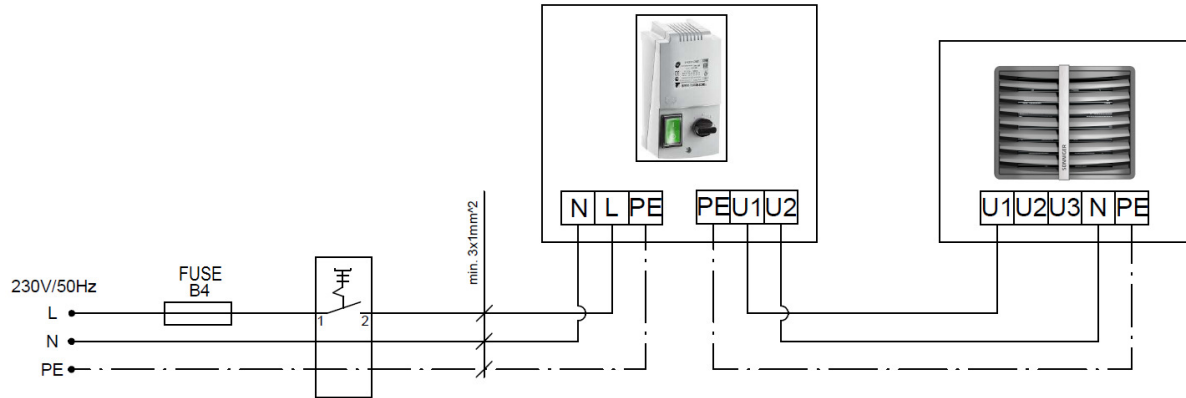
MULTI 6 Splitter allows to connect and control more fan heaters (up to 6 pcs.) and valves with actuators (up to 6 pcs.). Control of fans and valves is done using COMFORT or INTELLIGENT panel.

To connect more than 6 fans and valves, it is possible to connect Splitter MULTI 6 with each other (maximum extension of up to 10 MULTI 6 splitters). In such case, in the first Splitter MULTI 6 there should be connector DS-N left open, in other Splitters MULTI 6 (2..10) connector DS-N must be closed.



**5. Connection of HEATER unit with transformer speed regulator.**

*\* When using transformer speed regulator please use only maximum speed connector on a fan - U1 high speed*



**14. INTELLIGENT automatic control – PROGRAMMABLE LOGIC CONTROLLER MANUAL**

The control panel that is equipped with a weekly programmer selects speed of a device automatically depending on required/set temperature. The lower the room temperature is, the higher the air output is. Any change of fan speed is automatic, without user's manual intervention.

Symbol	Meaning of the symbol
	Switching ON/OFF
	Programme selection Auto/Cool/Heat, Menu button, programming button
	Selection of fan operating mode, selection of days and times
	Increase
	Decrease
	Screen lock
	Heating
	Cooling
	Fan speed: low, medium, high
	Automatic fan speed control
	Number of a selected programme



To switch on the heater, press . If the programmable controller is off, the OFF symbol will be displayed. When a controller is off, press and hold the button for 3 seconds and the configuration will start. Press to select menu functions.





Menu No	Description	Meaning/explanation	Regulation
01	Sensitivity adjustment of controller  Menu No.	The amount of degrees Celsius which changes fan speed. The standard threshold level is set 1 °C which means that the thermostat activates heating if the outside temperature is less than 0,5°C than the required/set temperature and switches heating off if the outside temperature is more than 0,5°C than the required/set temperature. When the minimum threshold level is 2°C, thermostat activates heating if the outside temperature is less than 1°C than the required/set temperature and switches heating off if the outside temperature is more than 1°C than the required/set temperature.	Factory settings: 1 °C, Regulation ranges from 1°C to 10°C
02	Temperature calibration  Menu No.	Menu allows you to calibrate displayed room temperature	- 1°C = temperature reduction by 1°C 0°C = temperature unchanged 1°C = increase by 1°C
03	Temperature format  Menu No.	Menu allows you to select °C or °F	°C = °C °F = °F
04	Clock format  Menu No.	Menu allows you to select 12-hour or 24-hour clock	Factory settings: 24H, options: 24H lub 12H
05	Fan operation modes  Menu No.	Operation options – fan may run continuously or only when heating/cooling system is on	1 = fan working when heating system is on (factory settings) 0 = fan runs continuously

**Error warning**


































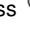
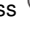
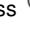

If any errors have occurred, one of the following messages will be displayed:







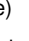
**LO** – room temperature is below 0 °C, **HI** – room temperature is higher than 50 °C, **ERR** –electrical shorts or controller is damaged



**Controller programming:** Controller is factory pre-programmed as follows:



Hours	Programme	Heating (Mon. – Fri.)	Cooling (Mon. – Fri.)	Heating (Sat. – Sun.)	Cooling (Sat. – Sun.)
Alarm (07:00)		22 °C	24 °C	22 °C	24 °C
Out (09:30)		16 °C	28 °C	16 °C	28 °C
Back (16:30)		22 °C	24 °C	22 °C	24 °C
Night (22:30)		16 °C	25 °C	16 °C	25 °C

**Setting mode of operation:**

Step 1	Press  to select Heating mode, press and hold  for 5 seconds to choose programmes for days Monday - Friday
Step 2	When flashing icon of programme 1 is displayed, you can change Hours of programme 1. Press  or  to set time (07:00 – factory settings). Press  or  to change time to the nearest 15 minutes.
Step 3	Press  and use  or  to set required temperature for programme 1 (22 °C – factory settings)
Step 4	Press  to change settings of programme 2. Press  or  to set hours (09:30 – factory settings).
Step 5	Press  and use  or  to set required temperature for programme 2 (16 °C – factor settings)
Step 6	Press  to change settings of programme 3. Press  or  to set hours (16:30 – factory settings).
Step 7	Press  use  or  to set required temperature for programme 3 (22 °C – factory settings)
Step 8	Press  to change settings for programme 4. Press  or  to set hours (22:30 – factory settings).
Step 9	Press  and use  or  to set required temperature for programme 4 (16 °C – factory settings)
Step 10	Press  to change weekend settings. Repeat steps from 2 to 9 and press  to confirm.
<b>NOTICE</b>	Press  to select cooling mode and repeat all of the above steps to programme cooling mode.
To deactivate programme 2 and 3 for weekends, press  in step 4 (not   ) – which deactivates time settings for weekends and press  in step 6 (not   – which deactivates time settings for weekends . To reset changes, press  again.	

**Time settings:** the controller is equipped with a clock, which is important to be set right. To set time, press and hold  till displayed time is flashing. By pressing  and  set the right time. Press and hold  till displayed day of the week is flashing. By pressing  and  set the right day of the week. Press  to confirm.

**Resetting device to default settings:** In stand-by mode, with the controller off press those buttons  and  hold them for 5 seconds till „RES“ symbol is displayed (display time – 5 seconds).

**Button lock:** Press those buttons  and  hold them for 3 seconds to lock the device (repeat to unlock the device)

**Fan speed setting:** Press  to select Low , Medium  or High  speed. In Auto mode  the controller adjusts fan speed on the basis of the following settings:

- **Heating:** 1 °C below – LOW, 2 °C below – Medium, 3 °C below – High
- **Cooling:** 1 °C above – LOW, 2 °C above – Medium, 3 °C above – High

**Heating/Cooling/Auto mode:** Press  to select Heating, Cooling or Auto mode.

**Heating:** the controller controls a system of heaters. Cooling: the controller controls a system of fans. Auto: the controller controls a system of heaters or fans depending on the outside temperature.

## **GUARANTEE TERMS AND CONDITIONS**

### **§1 Guarantee Scope**

1. The Guarantee entitles the Buyer to have the device or its part replaced with the faultless one only if within the Guarantee period the Manufacturer claims that a disclosed defective product or part cannot be repaired.
2. The proof of purchase and a correctly completed complaint form must be delivered to demand repairs with no additional costs.
3. This Guarantee covers material defects of the device which make its functioning impossible. This Warranty does not extend to the installation and maintenance works.
4. The Guarantee for the product sold by the Seller covers 24 months. The guarantee period commences upon delivery of the device to the Buyer specified in the sales invoice. The warranty covers any and all parts/components specified in the scope of the delivery.
5. Products delivered by third persons are guaranteed by this supplier.
6. Devices may be started and serviced only by qualified persons trained in the areas of maintenance and operation of the device. Any and all operations related to start, maintenance and repairs must be noted that such operations have occurred in the Guarantee Card.
7. The precondition for issuing the Guarantee by the manufacturer is the assembly and activation of the device in accordance with the Operation and Maintenance Documentation not later than 6 months after the date of purchase.
8. The product is guaranteed for a full period of warranty only if service works implied in the Operation and Maintenance Documentation for the device specified in the 'Maintenance' section are carried out. All services related to the maintenance of the device are carried out at the User's cost and expenses.
9. The provision of warranty services does not cease or suspend the duration of the Warranty. The warranty for replaced or repaired parts/elements shall end with the expiry of the Guarantee for the device.

### **§2 Warranty Exclusions/Disclaimers**

1. The Warranty does not extend to the mechanical damages and damages to electrical parts caused by improper use, transport, abnormal voltage or other damages arising from a product defect. For the above reasons, the Warranty is solely limited to the replacement of parts/components having construction defects that shall be delivered without any additional costs only if the defective part/component has been returned.
2. The Warranty for devices does not apply to when technical mistakes occurred during the procedures concerning installation, regulation and controlling including any of the following:
  - a) Defects caused by connecting a device to an inappropriately designed ventilation system that allows additional heat loads that do not meet any standards and decrease the efficiency of heat exchanger.
  - b) Defects caused by connecting to the components or parts that are part of the heating system but have not been delivered by the Seller and whose inappropriate functioning has a negative impact on the device's functioning.
  - c) Defects caused by connecting to the components that are not original spare parts
  - d) Defects incurred by reselling of the product by the first buyer/user to another buyer who dismantles/installs the device that was previously installed and operated in a specific building and its conditions.
  - e) Defects caused by an improper expertise and insufficient knowledge of the installer and technical staff who, in an improper way carry out after-sale service of the device
  - f) Defects caused by special conditions of use that differ from typical/standard applications unless the parties (the Seller and customer's technical staff) have previously agreed otherwise in writing.
  - g) Defects incurred by natural disasters such as fire, explosions and other incidents that may result in damages to mechanical, electrical and protection devices
  - h) Defects caused by inappropriate cleaning of the technical facility or place where the device has been installed; cleaning must take place periodically to suit the specific working conditions and the amount of dust.
  - i) Defects arising from the absence or improper cleaning of heat exchangers; cleaning must be done periodically to suit the specific working conditions and the amount of dust.
  - j) Defects incurred by the inappropriate installation inadequate for low outside temperature of working conditions.
  - k) Defects incurred by low temperature if no protection device is installed by the installing contractor to avoid:
    - low temperatures on electrical and mechanical parts such as valves, electric and electronic controlling devices,
    - water condensation and frost/ice near the device,
    - thermal shock of the heater and heat exchanger caused by sudden changes of outside temperature.

### **§3 SONNIGER is not liable to:**

1. Current maintenance works, inspections following from Operation and Maintenance Documentation and device programming.
2. Defects caused by banking of a device while waiting for the warranty service.
3. Any and all defects caused to the company's property.

### **§4. Complaint Procedure**

1. In the event of the complaint under the Warranty conditions the user may make lodge a complaint directly to the Distributor.
2. All repairs covered by the warranty shall be done as part of the activity of an installation company and Factory Service. All repairs ensuing from the guarantee shall be done in a place where the device is installed.
3. The user with respect to the service activities is obliged to:
  - Allow to have full access to the rooms where the devices were installed and provide the necessary facilities allowing direct access to the device (lift, scaffolding etc.) in order to do all the servicing covered by the guarantee.
  - Present the original of the Guarantee Card and VAT invoice recording the purchase,
  - Ensure the safety while doing the servicing,
  - Allow to start works immediately after the arrival of the Service.

4. In order to make a complaint under the warranty it is necessary to deliver to the Distributor's address the following documents:
  - a. a correctly filled-in complaint form that is available at the website of [www.SONNIGER.com](http://www.SONNIGER.com)
  - b. a copy of the Guarantee Card
  - c. a copy of the proof-of-purchase - the sales invoice
5. Repair service including the replacement of the parts shall be done free of charge only if the representative of the installing contractor or the Service claim that the defect or faulty device is caused by fault of the producer.
6. Any and all costs (cost of repair, travel and exchanged components) incurred due to the unjustified complaint especially in the situation when the representative of the Installing Contractor of the Factory Repair Service claims that defect/damage was caused as a result of breaching the guidelines provided in the Operation and Maintenance Documentation or notices the exclusions under **§2 (Warranty exclusions) will be** requested from the Buyer/Customer who reported the failure.
7. The Claimant is obliged to give a written confirmation of the service provided.
8. SONNIGER is entitled to refuse the warranty service if SONNIGER has not received full payment for the product complained about under the Guarantee or any previous servicing activities.

