

5. INSTALLATION

When deciding on the air curtain position you should take into account such factors as:

- ▮ Ease of access for servicing,
- ▮ Access to water and electricity supplies

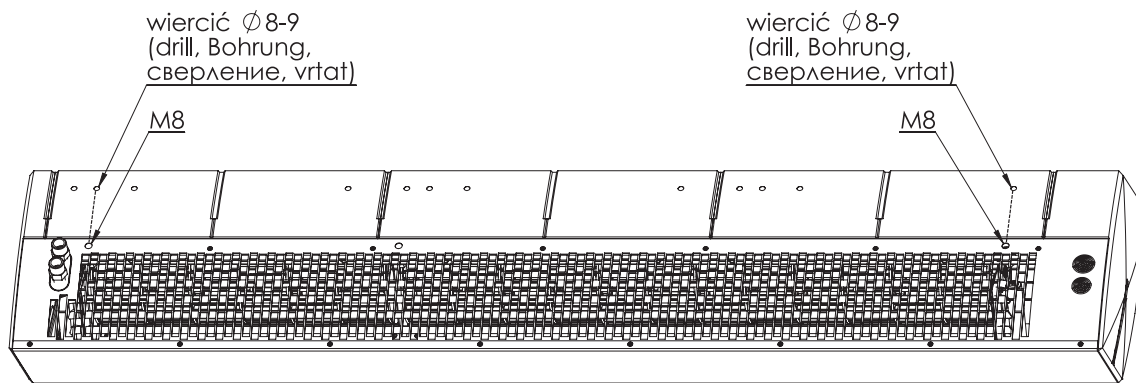
It is recommended to install the air curtain in position above the entrance opening, on the wall or under the ceiling, on support pins or horizontal mounting brackets. It is also possible to mount it vertically to a wall or other structure using vertical mounting brackets. It's important to make sure that the unit is properly levelled. In case of positioning in a different way than horizontal or vertical, during installation, damage to the fan may occur and in consequence malfunction of the unit.

Inlets and outlets cannot be blocked by any objects. When installing the curtains, keep in mind that you will have free access to the control panel. With larger door openings, it is possible to mount more curtains of the same type, one by one, to create an uninterrupted air flow. The curtain is permanently mounted in either a horizontal or vertical position (on the left/right side of the entrance).

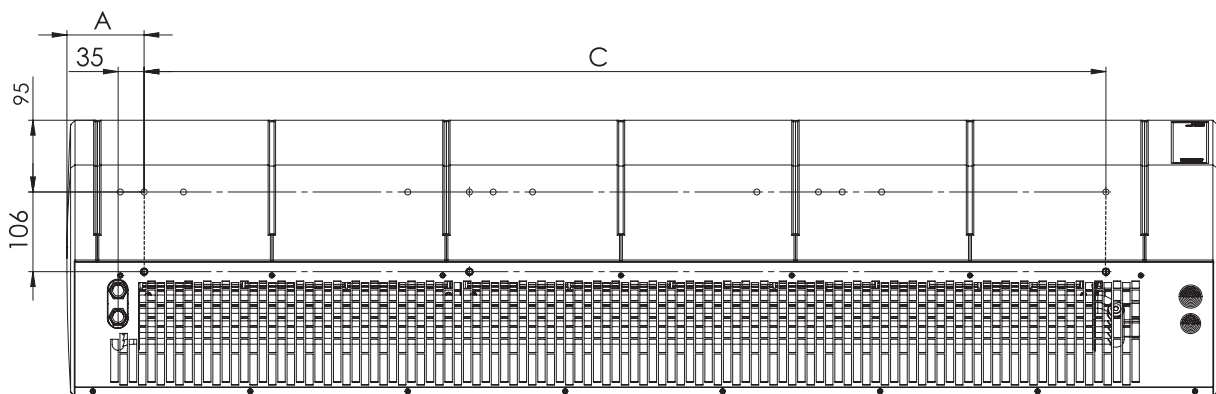
Curtain connection should be done in a serviceable manner, manual shut-off valves should be installed on both nozzles to enable disconnection. In case of a solenoid valve (option - automatics), it must be connected at the water outlet of the device, otherwise it may be damaged. When tightening the pipeline to the exchanger, the heater connection must be protected against torque (which may cause leakage in the exchanger).

Horizontal installation under the ceiling using mounting pins

Installation under the ceiling is done by using 4 M8 pins. In order to hang the device on the pins, drill holes \varnothing 8-9mm in the EPP housing directly in front of the existing holes in the steel inlet grille. The exact location is indicated by special tags on the EPP housing. The pins should be screwed into the nippers at a depth of 10-14mm.

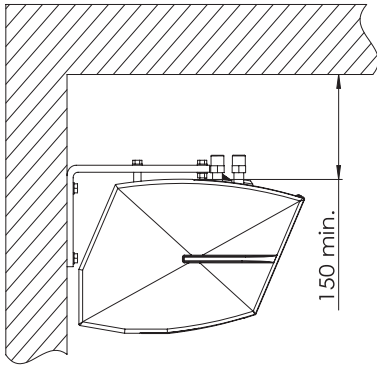


Drawing below shows the position of the mounting holes for the pins



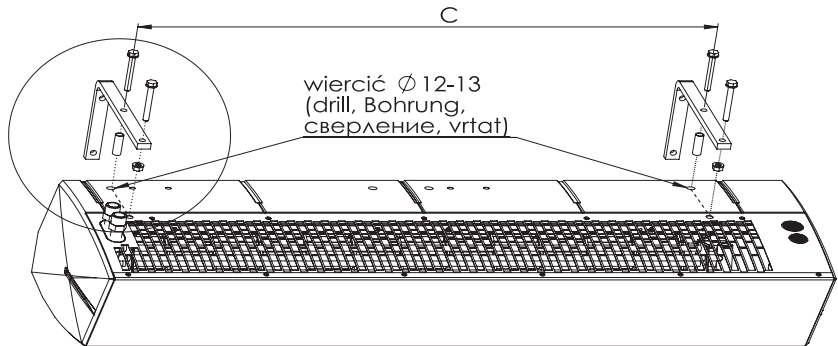
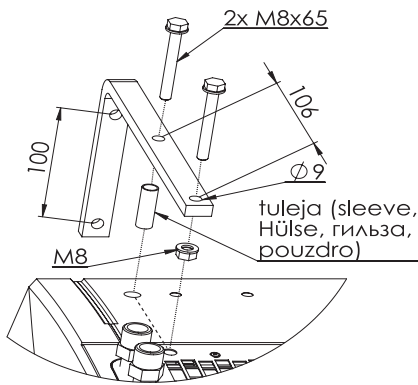
Curtain size	A(mm)	C(mm)	Nuber of pins M8
100	72	857	4
150	104	1295	4
200	157	1712	4

It is important to note that the minimum distance between the device and the ceiling is not less than 150 mm. This will ensure easy access to the water exchanger spigots, cable entries as well as free air flow to the inlet grille.



Wall installation by means of a horizontal brackets

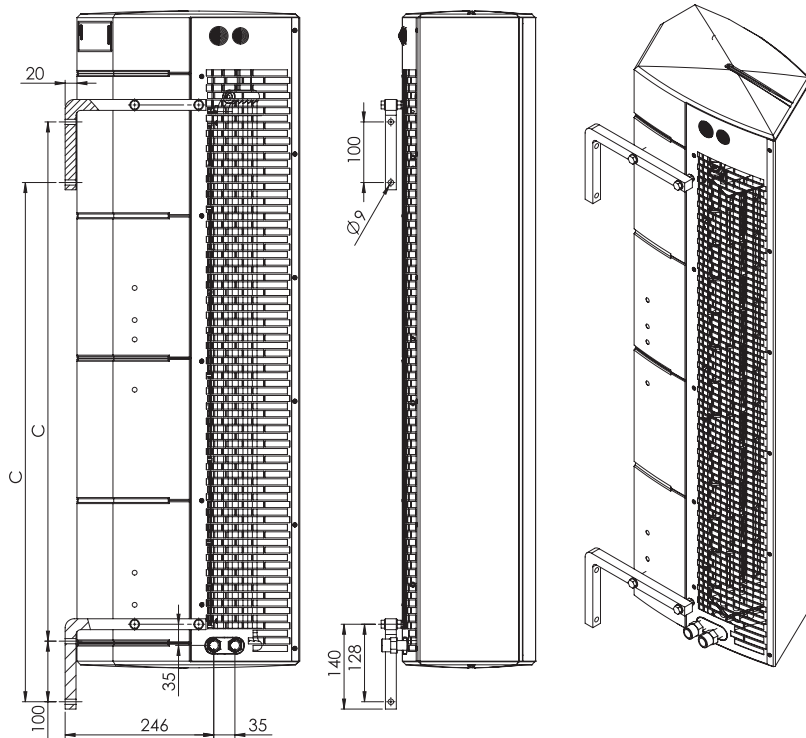
The curtain can be mounted to the wall in a horizontal position using 2 mounting brackets to the horizontal system. In the brackets there are Ø9mm holes for M8 screws. In the EPP housing, drill holes Ø 12-13mm in front of existing holes in the steel intake grille. The exact location is indicated by the special tags on the EPP housing and the figure below. Then insert the spacer sleeves into the holes and fix the brackets. Screw the remaining screws into the nuts under the steel intake grille so that both grips are in one plane. Locknuts under the handles are used to secure the screws from unscrewing.



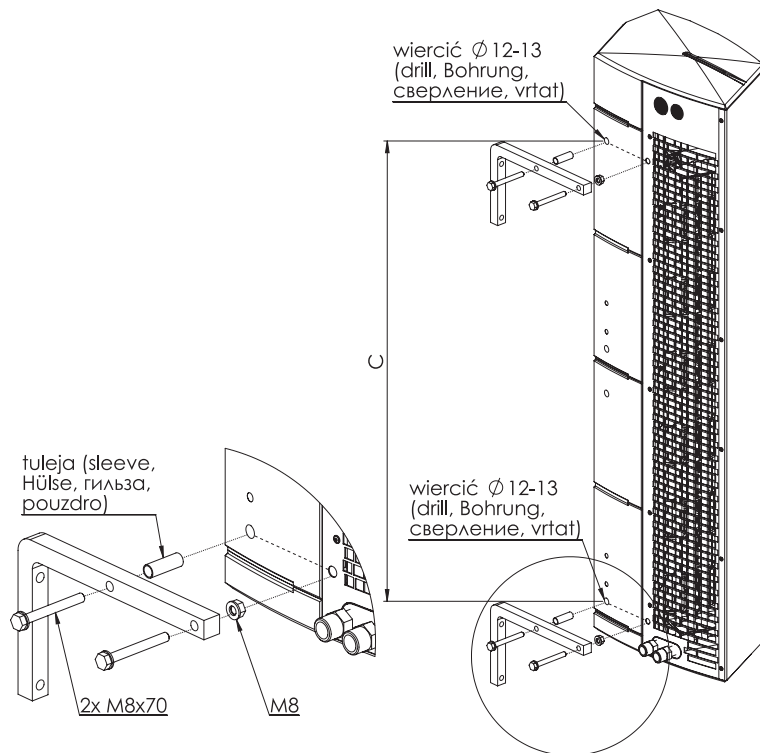
Curtain size	C(mm)	Number of brackets
100	857	2
150	1295	2
200	1712	2

Installation using brackets for vertical mounting

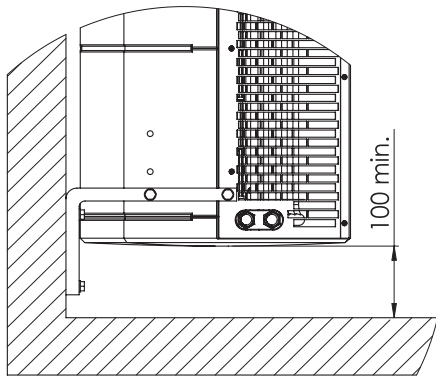
It is also possible to install the unit vertically with the engine downwards and upwards. Two vertical mounts are used for this purpose. In the brackets there are $\varnothing 9$ mm holes for M8 screws. In the EPP housing, drill holes $\varnothing 12-13$ mm in front of existing holes in the steel intake grille. The exact location is indicated by special tags on the EPP housing and the figure below. Then insert the spacer sleeves into the holes and fix the brackets. Screw the remaining screws into the nuts under the steel intake grille so that both grips are in one plane. Locknuts under the handles are used to secure the screws from unscrewing.



Curtain size	C(mm)
100	857
150	1295
200	1712



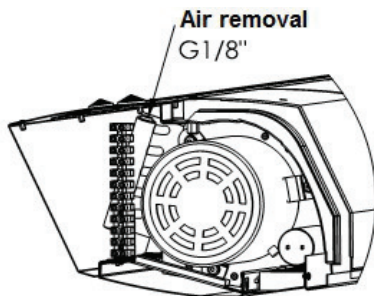
It is important to note that the minimum distance between the unit and the floor for installation with engine at the bottom is not less than 100mm. This allows access to the electrical terminal strip and to the water exchanger vent.



Connection of heating medium

The connection of the heating medium to the heat curtain, using G 1/2" threaded connections, should be made on the basis of a design by an authorized designer. If the air curtain is connected to a district heating network without a mixing unit, a water filter is required.

In case of horizontal and vertical mounting with nozzles at the top, the exchanger is vented through the nozzles. If the device is mounted vertically with nozzles at the bottom, to vent the exchanger, use a vent which is located on the exchanger collector on the engine side.

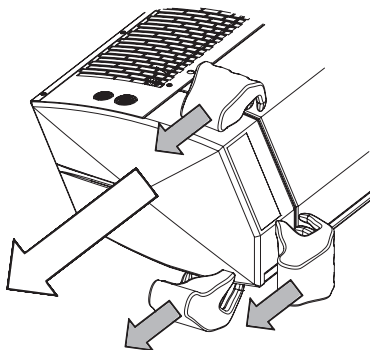


ATTENTION !

It is necessary to ensure that the unit is properly leveled. When it is mounted in a position other than vertical or horizontal there is a risk of fan damage and unit malfunction

Connecting the power supply and control system of the curtain

To connect the power supply, control and / or bleed the Exchange move out the right lid, which is fastened with the lock to the lower steel housing and the main housing EPP. The lid is disassembled in the direction shown by the arrows in the figure below. The lid should be grasped in the following places indicated in the drawing and should be gradually "released" from the locks for several millimetres. Cable entries for power and control cables are located on the inlet grille.



ATTENTION !

Ensure that no connection wire is clamped between the lid and the rest of the curtains before assembling the lid.