

VASO STORAGE 1

POLYWARM® COATED DOMESTIC HOT WATER ACCUMULATION TANK WITH 1 BLIND FLANGE



APPLICATION

Domestic hot water storage.

MATERIAL

Mild steel Polywarm® coated (Attestation ACS - SSICA - DVGW - W270 - WRAS)

INSULATION

- HARD: High thermal insulation with ecological polyurethane hard foam.

- SOFT: NOFIRE® polyester fleece 100% made of recyclable material, with high thermal insulation. Fire resistance class B-s2d0 according to EN 13501.

Grey PVC external lining.

CATHODE PROTECTION

Magnesium anode. Models > 1500 n° 2 magnesium anodes.

DRAIN

External confluence through drain connection. Models > 1000 external confluence through drain pipe.

GASKET- FLANGE PLATE

1 mounting flange

Silicone gaskets suitable for water intended for human consumption (tested according to 98/83/CE), max temperature up to 200°C. Mild steel inspection flange plate with Polywarm®.

WARRANTY

5 years - See general sales conditions and warranty

ACCESSORIES AND SPARE PARTS

See Accessories section for the entire list.

NEW

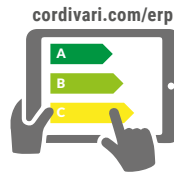


VASO STORAGE 1 WB

ENERGY EFFICIENCY CLASS



Model	HARD FOAM insulation		ErP
	Art. Nr.		
200	3072162360540		B
300	3072162360541		C
500	3072162360542		C
800	3072162360543		B
1000	3072162360544		C
1500	3072162360545		C
2000	3072162360546		B



On line ErP label tool



VASO STORAGE 1 WC

ENERGY EFFICIENCY CLASS



Model	DISMOUNTABLE SOFT FLEECE insulation		ErP
	Art. Nr.		
500	3072162360547		C
800	3072162360548		C
1000	3072162360549		C
1500	3072162360550		C
2000	3072162360551		C
2500	3072162360552		
3000	3072162360553		
4000	3072162360554		
5000	3072162360555		

ACCESSORIES

ELECTRIC IMMERSION HEATERS



Mod. Heated volume by electric immersion heater [lit]

200	49
300	76
500	127
800	178
1000	243
1500	288
2000	443
2500	577
3000	577
4000	797
5000	1040

MONOPHASE

	1,5 kW	2 kW	3 kW
	5240000000051	5240000000052	5240000000053
Ignition time from 10 °C to 45 °C with electric immersion heaters [min]			
	87	65	44
	136	102	68
	228	171	114
	318	239	159
	436	327	218
	516	387	258
	793	595	396
	1033	775	517
	1033	775	517
	1428	1071	714
	1864	1398	932

THREEPHASE

	4 kW	5 kW	6 kW	9 kW	12 kW
	5240000000047	5240000000048	5240000000049	5240000000050	5240000000031
Ignition time from 10 °C to 45 °C with electric immersion heaters [min]					
	//	//	//	//	//
	//	//	//	//	//
	//	//	//	//	//
	//	//	//	//	//
	163	131	109	73	54
	194	155	129	86	65
	297	238	198	132	99
	387	310	258	172	129
	387	310	258	172	129
	535	428	357	238	178
	699	559	466	311	233

"Easy Control" Electronic Display-mounted on tank

ART. NR.	FOR MODELS
5005000310002	WXC
5005000310003	WXB



Thermometer

Art. Nr.	5032240000107
5 units box	



Titanium electronic anode

Art. Nr.	Model
5200000000008	200, 300
5200000000009	500, 800
5200000000011	1000, 1500
5200000000013	2000÷5000



VASO STORAGE 1

POLYWARM® COATED DOMESTIC HOT WATER ACCUMULATION TANK WITH 1 BLIND FLANGE

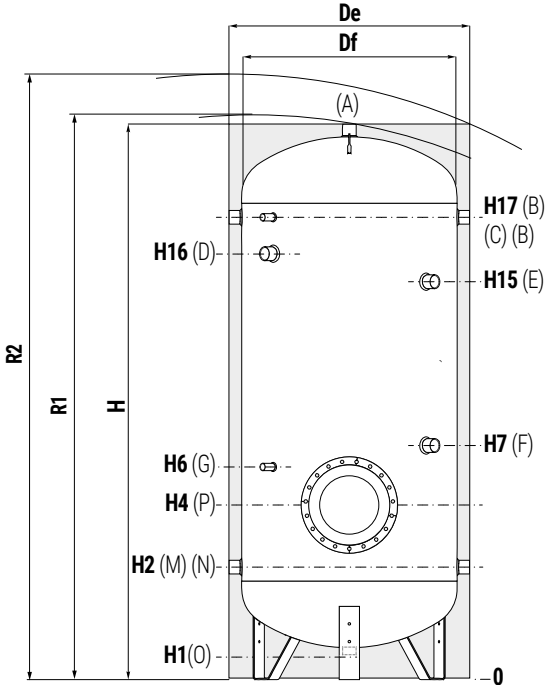
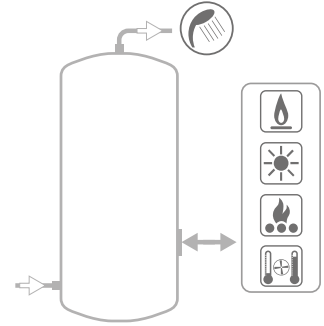
STORAGE

Model	Pmax	Tmax
200 ÷ 1000	8 bar	90 °C
1500 ÷ 5000	6 bar	



CORDIVARI Lab

TÜV Rheinland Energie und Umwelt GmbH states that test procedures and Cordivari LAB are certified conforming to European standard EN 15332, as indicated by Ecodesign ErP Directive.

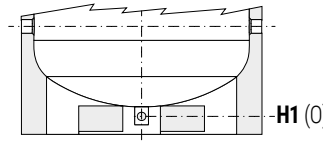
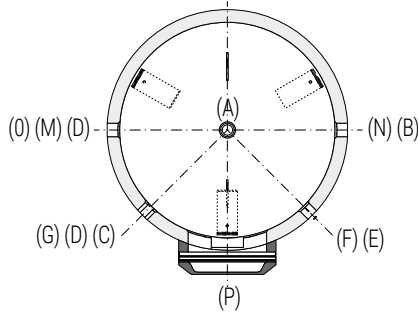


COMPLETE YOUR SYSTEM WITH THE NEW PRS MODULE (FOR IMMEDIATE DHW PREPARATION)



SEE HYDRONIC SECTION

- A** Domestic hot water outlet
- B** Recirculation / Domestic hot water outlet
- C** Connection for instrumentation 1/2" F
- D** Connection for electric immersion heater 1"1/2 F For models > 800 connection 2" F
- E** Connection for 2nd magnesium anode 1"1/4 F (only for models > 1500)
- F** Connection for magnesium anode 1" 1/4 F
- G** Connection for instrumentation 1/2" F
- M** Domestic cold water circuit inlet
- N** Alternative domestic cold water circuit inlet or connection for more boilers
- O** Drain
- P** Flange



Models from 1500 to 5000 have two grips on the bottom which allow the use of forklift when handling and drain pipe already fitted.

VASO STORAGE 1 WB - HARD FOAM INSULATION

Model	Volume Weight		De	H	R1	H1	H2	H4	H6	H7	H15	H16	H17	P	B-M-N	A	O
	[lt]	[kg]															
200	191	51	550	1449	1560	85	325	410	520	650	//	1075	1185	Øi220/Øe300	1" 1/4	1" 1/4	1" 1/4
300	292	64	650	1499	1640	85	350	435	545	735	//	1100	1210	Øi220/Øe300	1" 1/4	1" 1/4	1" 1/4
500	500	89	750	1800	1960	85	375	460	570	760	//	1329	1485	Øi220/Øe300	1" 1/4	1" 1/4	1" 1/4
800	794	149	900	2135	2330	85	405	540	690	870	//	1610	1765	Øi300/Øe380	1" 1/4	1" 1/2	1" 1/4
1000	1042	170	1000	2221	2450	105	458	593	743	993	//	1664	1818	Øi300/Øe380	1" 1/2	2"	1" 1/2
1500	1445	231	1100	2415	2660	109	440	675	825	1075	//	1895	2050	Øi300/Øe380	1" 1/2	2"	1"
2000	1978	367	1300	2492	2820	91	467	692	867	842	1952	1877	2057	Øi350/Øe430	2"	2"	1"

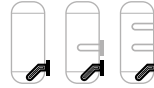
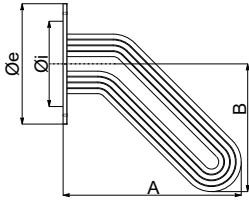
VASO STORAGE 1 WC - DISMOUNTABLE SOFT FLEECE INSULATION

Model	Volume Weight		De	DF	H	R1	R2	H1	H2	H4	H6	H7	H15	H16	H17	P	B-M-N	A	O
	[lt]	[kg]																	
500	500	94	870	650	1891	1998	2090	101	416	501	611	801	//	1370	1526	Øi220/Øe300	1" 1/4	1" 1/2	1" 1/4
800	792	147	970	750	2188	2220	2400	113	433	568	718	898	//	1638	1793	Øi300/Øe380	1" 1/4	1" 1/2	1" 1/4
1000	1041	167	1070	850	2242	2270	2490	101	454	589	739	989	//	1660	1814	Øi300/Øe380	1" 1/2	2"	1" 1/4
1500	1443	228	1210	950	2440	2495	2730	109	440	675	825	1075	//	1895	2050	Øi300/Øe380	1" 1/2	2"	1" 1/4
2000	1975	352	1360	1100	2492	2570	2850	91	467	692	867	842	1952	1877	2057	Øi350/Øe430	2"	2"	1" 1/2
2500	2311	366	1350	1250	2311	2480	2690	140	551	776	951	976	1816	1732	1891	Øi350/Øe430	2"	2"	1"
3000	2917	432	1350	1250	2811	2950	3130	140	551	836	1011	1036	2316	2232	2391	Øi350/Øe430	2"	2"	1"
4000	3765	555	1500	1400	2875	3050	3250	114	570	855	1030	1035	2315	2238	2410	Øi350/Øe430	2"	2"	1"
5000	4979	732	1700	1600	2915	3130	3380	94	580	855	1030	1035	2335	2265	2420	Øi350/Øe430	2"	2"	1"

INTEGRATIVE COMPONENTS FOR VASO STORAGE

COMPATIBILITY TABLES VASI STORAGE/HEAT EXCHANGERS

ANTILEGIONELLA® HEAT EXCHANGER KIT

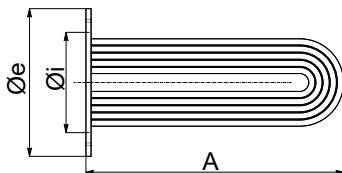


Antilegionella® heat exchanger kit + gaskets + bolts and insulated bushes.

ANTILEGIONELLA® HEAT EXCHANGER

Heat exchanger surface	Øi / Øe flange	A	B	Art. Nr.	Storage 1 - 2	Storage 1-2-3	Storage 1-2	Storage 1-2-3				Storage 1-2	Storage 1-2-3	Storage 1-2	Storage 1-2-3			
					Model													
					200	300	500	800	1000	1500	2000	2500	3000	4000	5000			
[m²]	[mm]																	
0,5	Øi220/Øe300	350	240	5221000010100	✓	✓	✓											
0,75	Øi220/Øe300	350	240	5221000010101	✓	✓	✓											
1	Øi220/Øe300	371	261	5221000010102			✓											
1,5	Øi220/Øe300	561	311	5221000010113			✓											
1,5	Øi300/Øe380	496	336	5221000010103				✓	✓	✓								
2	Øi300/Øe380	496	336	5221000010104				✓	✓	✓								
3	Øi300/Øe380	607	452	5221000010105					✓	✓								
4	Øi350/Øe430	636	457	5221000010106							✓	✓	✓	✓	✓	✓		
5	Øi350/Øe430	678	498	5221000010107							✓	✓	✓	✓	✓	✓		
6	Øi350/Øe430	828	585	5221000010123									✓	✓	✓	✓		
8	Øi350/Øe430	1250	598	5221000010108										✓	✓	✓		
10	Øi350/Øe430	1550	538	5221000010109												✓		

STRAIGHT HEAT EXCHANGER KIT



Straight heat exchanger kit + gaskets + bolts and insulated bushes.

MIDDLE HEAT EXCHANGER

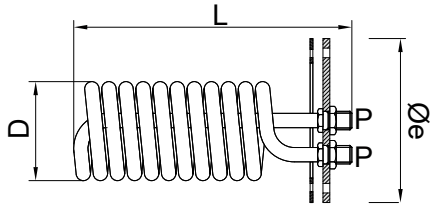
UPPER HEAT EXCHANGER

Heat exchanger surface	Øi / Øe flange	A	Art. Nr.	Storage 2-3											Storage 2-3						
				Model											Model						
				200	300	500	800	1000	1500	2000	2500	3000	4000	5000	500	1000	1500	2000	3000	5000	
[m²]	[mm]																				
0,5	Øi220/Øe300	445	5221000010074	✓	✓	✓												✓			
0,75	Øi220/Øe300	445	5221000010075	✓	✓	✓												✓			
1	Øi220/Øe300	475	5221000010076	✓	✓	✓												✓			
1,5	Øi220/Øe300	690	5221000010077			✓												✓			
1,5	Øi300/Øe380	600	5221000010078				✓	✓	✓									✓	✓	✓	✓
2	Øi300/Øe380	560	5221000010079				✓	✓	✓									✓	✓	✓	✓
3	Øi300/Øe380	720	5221000010080				✓	✓	✓									✓	✓	✓	✓
4	Øi350/Øe430	750	5221000010081								✓	✓	✓	✓	✓						✓
5	Øi350/Øe430	780	5221000010082								✓	✓	✓	✓	✓						✓
6	Øi350/Øe430	890	5221000010122								✓	✓	✓	✓	✓						✓
8	Øi350/Øe430	1250	5221000010083									✓	✓	✓	✓						✓
10	Øi350/Øe430	1510	5221000010084																		✓

INTEGRATIVE COMPONENTS FOR VASO STORAGE

COMPATIBILITY TABLES VASI STORAGE/HEAT EXCHANGERS

FINNED HEAT EXCHANGER KIT



Finned heat exchanger kit + gaskets + bolts and insulated bushes.

MIDDLE AND LOWER HEAT EXCHANGER

UPPER HEAT EXCHANGER

Heat exchanger surface [m ²]	Øi / Øe flange [mm]	D	L	P	capacity [lt]	Art. Nr.	Storage 1 - 1 COMPACT-2										Storage 3									
							Model										Model									
							200	300	500	800	1000	1500	2000	2500	3000	4000	5000	500	1000	1500	2000	3000	5000			
0,76	Ø1220/Øe300	142	400	1"	0,6	5221000061003	✓	✓	✓												✓					
0,94	Ø1220/Øe300	142	410	1"	0,54	5221000061002	✓	✓	✓												✓					
1,58	Ø1220/Øe300	170	440	1"	1,21	5221000061004	✓	✓	✓												✓					
0,94	Ø1300/Øe380	142	410	1"	0,54	5221000061011				✓	✓	✓										✓	✓	✓	✓	
1,58	Ø1300/Øe380	170	440	1"	1,21	5221000061012				✓	✓	✓										✓	✓	✓	✓	
2,63	Ø1300/Øe380	190	570	1"	2,07	5221000061006				✓	✓	✓										✓	✓	✓	✓	
3,17	Ø1300/Øe380	190	665	1"	2,51	5221000061007				✓	✓	✓										✓	✓	✓	✓	
4,54	Ø1300/Øe380	190	750	1 1/4"	3,6	5221000061008				✓	✓	✓											✓	✓	✓	✓
3,17	Ø1350/Øe430	190	665	1"	2,51	5221000061013								✓	✓	✓	✓	✓								✓
4,54	Ø1350/Øe430	190	750	1 1/4"	3,6	5221000061014								✓	✓	✓	✓	✓	✓							✓
5,26	Ø1350/Øe430	190	850	1 1/4"	4,14	5221000061009								✓	✓	✓	✓	✓	✓							✓
6,34	Ø1350/Øe430	190	980	1 1/4"	5,1	5221000061010								✓	✓	✓	✓	✓	✓							✓

FLANGE PLATE FOR D.H.W. STORAGE TANKS

After choosing the heat exchanger according to the compatibility tables and to the needs of the installation, it is necessary to choose the flange plate of the corresponding diameter.



Art. Nr.	Connection	Diameter [mm]
5206000000001	1"	300
5206000000002	2"	380
5206000000003	2"	430

Includes 2 gaskets, bolts and bushes
Version for pipes heat exchanger

The Flange plate includes 2 sleeve collars for the connection to the operating system. This allows the circulation of the liquid within the heat exchanger's serpentine doing the real separation between the incoming liquid and the outgoing one. The flange plate is in mild steel. Blind flange for accumulation tank in Polywarm® available also with 1 connection. Including: gaskets, bolts and bushes

FLANGE PLATE FOR ELECTRIC IMMERSION HEATER



Art. Nr.	Connection	Ø outer [mm]
52060000000051	1 1/2"	300
52060000000054	1 1/2"	380
52060000000056	1 1/2"	430
52060000000053	2"	430

Includes 1 gasket and bolts
1 connection for electric immersion heater (available on storage tanks)

BLIND FLANGE



Art. Nr.	Ø outer [mm]
5206000000101	300
5206000000102	380
5206000000103	430

Includes 1 gasket and bolts
Blind flange available (available on storage tanks)