

BOLLY® HY

POLYWARM® COATED DOMESTIC HOT WATER CALORIFIER WITH 1 FIXED HEAT EXCHANGER AND ENERGY BUFFER FOR HEAT PUMPS



APPLICATION

Production and storage of domestic hot water (DHW). Heating/cooling buffer tank for heat pumps.

MATERIAL

DHW STORAGE: Mild steel Polywarm® coated (Attestation ACS - SSICA - DVGW - W270 - WRAS)

ENERGY BUFFER: Mild steel.

HEAT EXCHANGER

Mild steel Polywarm® coated heat exchanger.

INSULATION

High thermal insulation with ecological polyurethane hard foam. Grey PVC external lining.

CATHODE PROTECTION (DHW STORAGE)

Magnesium anode.

WARRANTY

5 years - See general sales conditions and warranty

ACCESSORIES AND SPARE PARTS

See Accessories section for the entire list.

NEW



POLYWARM® COATED DHW STORAGE



POLYWARM® COATED HEAT EXCHANGER



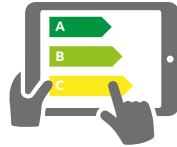
BOLLY® HY

HARD FOAM insulation

Model	Art. Nr.	Power of combinable heat pump [kWt]	HEAT EXCHANGER SURFACE [m²]	ENERGY EFFICIENCY CLASS
300	3105162320707	9-14	3,4	B
500	3105162320708	14-20	5,4	C



cordivari.com/erp



On line ErP label tool

ACCESSORIES

ELECTRIC IMMERSION HEATERS



Mod.	Heated volume by electric immersion heater [lt]
300	245
500	424

MONOPHASE		
1,5 kW	2 kW	3 kW
5240000000051	5240000000052	5240000000053
Ignition time from 10 °C to 45 °C with electric immersion heaters [min]		
439	329	219
759	569	380

"Easy Control" Electronic Display-mounted on tank

ART. NR.	FOR MODELS
5005000310003	WB



Thermometer

Art. Nr.
5032240000107
5 units box



Titanium electronic anode

Art. Nr.	Model
5200000000008	300
5200000000009	500



BOLLY® HY

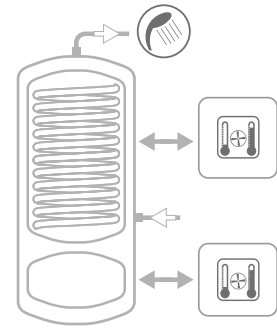
POLYWARM® COATED DOMESTIC HOT WATER CALORIFIER WITH 1 FIXED HEAT EXCHANGER AND ENERGY BUFFER FOR HEAT PUMPS

STORAGE		HEAT EXCHANGER		VOLANO TERMICO	
Pmax	Tmax	Pmax	Tmax	Pmax	Tmax
6 bar	90 °C	12 bar	110 °C	4 bar	-10/+95 °C

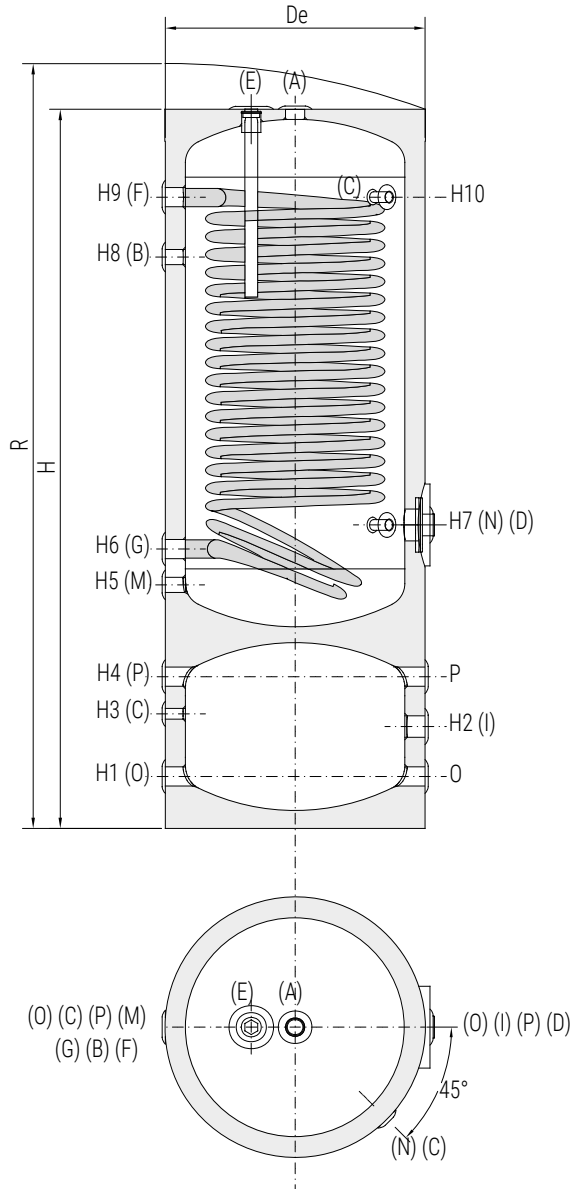


CORDIVARI Lab

TÜV Rheinland Energie und Umwelt GmbH states that test procedures and Cordivari LAB are certified conforming to European standard EN 15332, as indicated by Ecodesign ErP Directive.



See TECHNICAL SUPPORT chapter for example of installation



A	Domestic hot water outlet 1" 1/4 F
B	Recirculation / Domestic hot water outlet 1" F
C	Connection for instrumentation 1/2" F
D	Connection for electric immersion heater 1" 1/2 F
E	Connection for magnesium anode
F	Primary circuit inlet 1" 1/4 F
G	Primary circuit outlet 1" 1/4 F
I	Connection for electric immersion heater 1" 1/2 F
M	Domestic cold water circuit inlet 1" F
N	Connection for instrumentation 1/2" F
O	Heating return/to generator 1"1/4 F
P	Heating delivery/from generator 1"1/4 F

Model	DHW storage volume	Buffer tank volume	De	H	R	H1	H2	H3	H4	H5	H6
	[lt]										
300	291	86	650	1805	1930	130	255	287	380	610	700
500	498	114	750	1910	2060	145	253	268	361	621	710

Model	H7	H8	H9	H10	A-F-G	B	C-N	M	D-I	P-O
	[mm]				Connections F					
300	760	1431	1581	1581	1"1/4	1"	1/2"	1"	1"1/2	1"1/4
500	775	1515	1675	1675	1"1/4	1"	1/2"	1"	1"1/2	1"1/4