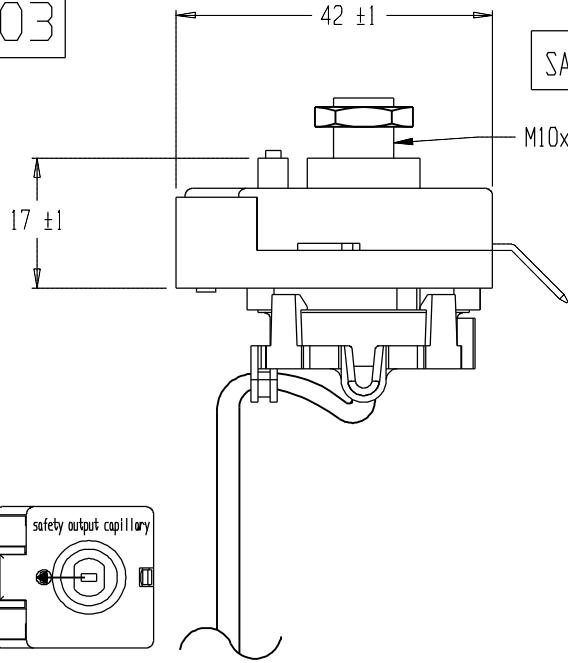
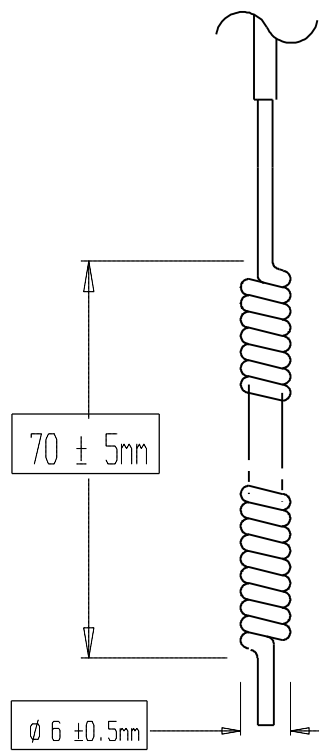
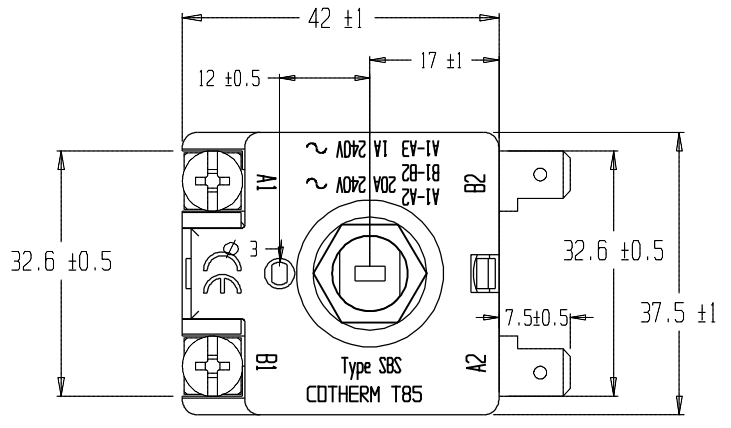
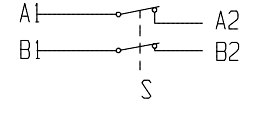


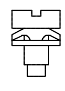
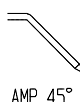
M03



SAFETY Temp. (°C): 96+0/-8

SBSC0023 SS/AA
S 96°C -8K



Comments :					
Fail-safe capillary					
Terminals	A1	 à Vis + Plaquette	A2	 AMP 45°	L
Norms:				Stem Length	
<div style="border: 2px solid black; padding: 5px; display: inline-block;"> NORMS: Approvals ENEC EN 60730-1 T 85 EN 60730-2-9 20A 240V ~ </div>				400 ±25	COPPER
				Sleeving	290 ±25
Standard packaging				Maxi bulb temp.(°C)	150

f	Norms update		17/10/13	L.G	17/10/13	D.R
REFER.	MODIFICATION		N° : M13226	DATE	VISA	ACCEPTED ON VISA
G.T. : ±	SAMPLE	DESIGNATION		<i>COTHERM</i>		
Scale : 1/1	N° :	Bipolar safety				
Drawed on : 06/02/02		by : DM		SBSC0023		
Approved on : 06/02/02		by : BR				

THIS DRAWING IS THE EXCLUSIVE PROPERTY OF COTHERM COMPANY AND MUST NOT BE COPIED OR TRANSMITTED TO THIRD PARTIES