



Producator: **MIDEA**

## **Ventiloconvector tip caseta, sistem cu 4 tevi**

**Model:** MKA V

**Cod Romstal:** 81MD0049, 81MD0050, 81MD0051,  
81MD0052, 81MD0053, 81MD0054



### **INSTRUCTIUNI DE SERVICE SI INSTALARE**



## CUPRINS

1. Aspect exterior
2. Parametri
3. Gama de produse
4. Acesorii
5. Specificatii
6. Tabel de capacitati
7. Dimensiuni
8. Spatii de service
9. Nivel de zgomot
10. Schema conexiunilor electrice
11. Defectiuni de functionare
12. Instalare

### 1. Aspect exterior



### 2. Parametri

- panoul standard de aspiratie a aerului cu 4 tevi , panoul standard de aspiratie a aerului 360° este optional

**Panou standard**



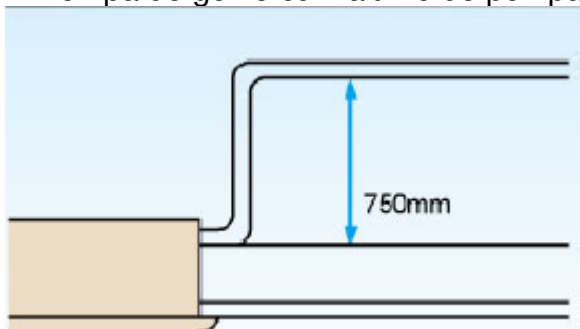
**360° Panou**



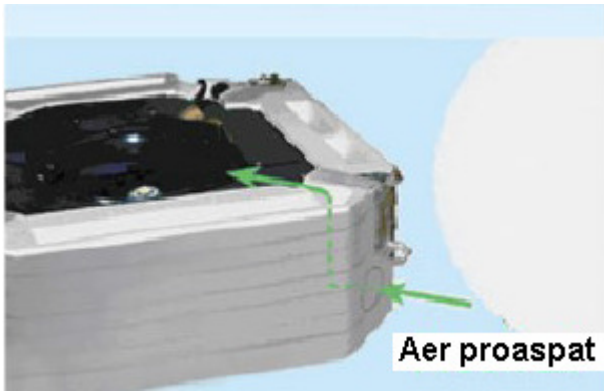
- Pot fi furnizate simultan apa calda si rece
- Modelele cu racire si incalzire pot fi schimbate in mod convenabil



- Pompa de golire cu inaltime de pompare de 750mm/Hg

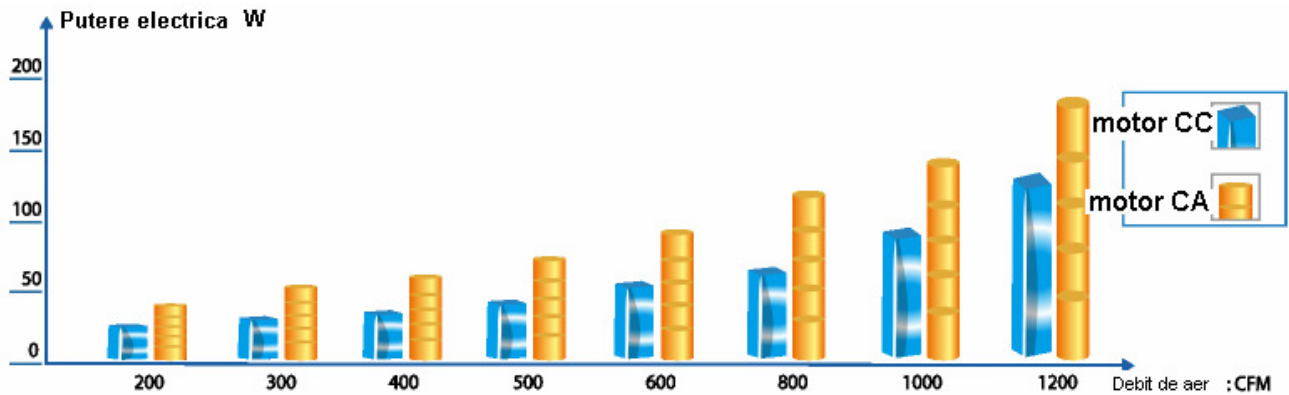


- Tavita de condens extinsa pentru a va proteja mai bine tavanul
- Motor cu patru trepte de viteza, o treapta pentru mai multe posibilitati de alegere
- Priza de aer proaspat permite un stil de viata mai sanatos si mai confortabil



- **Eficiența excelentă**

Midea CC FCU utilizează un motor CC, eficiența motorului CC fiind până la 90%. Consumul electric CC FCU poate fi redus cu peste 30% în comparație cu FCU CA.



- **Motor brushless CC**

Motorul adoptă configurația complet închisă, ce permite economia de energie electrică, cu randament înalt de funcționare și conferă rezistență în timp motorului. Lagarele motorului pot funcționa continuu timp de 80,000 de ore. Operațiile de întreținere sunt simple de executat.



- **Nivel redus de zgomot**



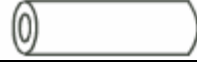









Ventilatorul modern cu spirală 3-D reduce rezistența aerului și zgomotul de funcționare. Lagarele motorului având un design unic emit vibrații mai mici în timpul funcționării.

### 3. Gama de produse





Tip	600F	750F	850F	950F	1200F	1500F
4-Tevi casete cu 4 cai (MKA-V)	•	•	•	•	•	•

## 4. Accesorii

### 4.1. Accesorii standard

Denumire accesorii	Cantitati	Forma	Utilizare
Manualul de instalare si utilizare a utilizatorului	1	-	Ghid de instalare
Instalarea sablonului de carton	1		
Surubu M6	4		
Tevi & racorduri	2		Izolatie fonica / izolatie
Racorduri de golire	1		Teava de tur
	1		Izolatie teava de tur
	1		Clema teava de tur
	5		Banda de etanseizare
Telecomenzi si suporturile corespunzatoare	1		Telecomanda R05/BGE-20
	1		Suport
	2		Suruburi de montaj (ST2.9x10-C-H)
	2		Baterii alcaline
Manual telecomanda	1		

### 4.2. Accesorii optionale

Denumire accesorii	Cantitati	Forma	Utilizare
Controller cablat KJR-12B/D	1		Controller cablat
Modul de interfata retea NIM01/E	1		Modul de interfata retea
Controller central CCM03	1		Controller central
Ansamblu vana cu 3 cai	1		Presostat de apa

## 5. Specificatii

Model			MKA-V600F	MKA-V750F	MKA-V850F	
Alimentare electrica		V/Ph/Hz	220-240/1/50			
Debit de aer (H/M/L)		m <sup>3</sup> /h	1287/1084/851	1389/1149/929	1444/1143/1008	
		CFM	757/637/500	817/675/546	849/672/592	
Racire <sup>1</sup>	CC	Capacitate (H/M/L)	kW	5.36/4.81/4	5.62/5/4.26	5.63/4.88/4.5
		Debit nominal apa (H/M/L)	m <sup>3</sup> /h	0.99/0.87/0.72	1.04/0.9/0.77	0.99/0.95/0.80
		Pierdere de presiune apa (H/M/L)	kPa	14.8/11.5/8.1	15.9/12.4/9	16/14.2/10.4
		Putere absorbita (H/M/L)	W	50/33/19	60/38/23	68/38/29
Incalzire <sup>2</sup>		Capacitate (H/M/L)	kW	7.38/6.06/5.09	7.66/6.35/5.44	8.15/6.29/5.76
		Debit nominal apa (H/M/L)	m <sup>3</sup> /h	0.61/0.55/0.47	0.65/0.58/0.50	0.67/0.58/0.54
		Pierdere de presiune apa (H/M/L)	kPa	25.3/20.5/14.5	32/25.7/19.1	32.6/24.7/21.2
		Putere absorbita (H/M/L)	W	51/33/19	61/38/23	68/37/28
Incalzire <sup>3</sup>		Capacitate (H/M/L)	kW	7.66/6.88/5.83	8.15/7.19/6.17	8.34/7.17/6.57
		Debit nominal apa (H/M/L)	m <sup>3</sup> /h	0.69/0.62/0.54	0.73/0.66/0.56	0.78/0.66/0.61
		Pierdere de presiune apa (H/M/L)	kPa	37.2/26.1/19.3	39.5/32.5/23.8	41.6/31.5/26.8
		Putere absorbita (H/M/L)	W	50/33/19	62/39/23	69/38/28
Nivel de presiune sonora (H/M/L)		dB(A)	42/37/31	44/39/33	45/39/36	
Curent nominal		A	0.4	0.5	0.6	
Motor ventilator	Tip		cc motor	cc motor	cc motor	
	Cantitate		1	1	1	
ventilator	Tip		Palete, centrifugale, curbate			
	Cantitate		1	1	1	
Baterie	Rand		2	2	2	
	Presiune maxima de lucru	MPa <sub>g</sub>	1.6			
	Inaltime baterie	mm	1990x252			
	Tip aripioare		Aluminiu hidrofili			
	Numar de circuite		Apa rece 9; Apa calda 3			
	Distanta dintre aripioare	mm	1.5			
	Diametru	mm	Φ7			
Panou	Dimensiuni WxHxD	mm	950x45x950			
	Ambalaj WxHxD	mm	1035x90x1035			
	Masa neta	kg	6			
	Masa bruta	kg	9			
Corp	Dimensiuni WxHxD	mm	840x300x840			
	Ambalaj WxHxD	mm	900x307x900			
	Masa neta	kg	27.5	27.5	27.5	
	Masa bruta	kg	33.5	33.5	33.5	
Racord teava	Teava tu/retur	inch	Apa rece RC3/4; Apa calda RC1/2			
	Teava de golire	mm	ODΦ32			

### Observatii:

Pe baza conditiilor Eurovent:

H: Viteza inalta ventilator; M: Viteza medie ventilator; Viteza redusa ventilator;

1. Regim de racire (baterie cu 2 si 4 tevi): temperatura intrare aer : 27 °C bulb uscat/19 °C bulb umed, temperatura intrare si iesire apa 7°C/12°C, la viteza ridicata ventilator.

2. Regim de incalzire (1) (baterie cu 4 tevi): temperatura intrare aer : 20 °C, temperatura intrare apa 65/55°C, la viteza ridicata ventilator.

3. Regim de incalzire (2) (baterie cu 4 tevi): temperatura intrare aer : 20 °C, temperatura intrare apa 70/60°C, la viteza ridicata ventilator.

Model			MKA-V950F	MKA-V1200F	MKA-V1500F	
Debit de aer	(H/M/L)	m <sup>3</sup> /h	1525/1212/1088	1785/1545/1397	1857/1410/1191	
		CFM	897/712/640	1050/908/821	1092/829/700	
Racire <sup>1</sup>	CC	Capacitate (H/M/L)	kW	5.82/5.07/4.75	8.75/7.97/7.4	8.76/7.29/6.45
		Debit nominal apa (H/M/L)	m <sup>3</sup> /h	1.04/0.9/0.83	1.57/1.43/1.31	1.58/1.30/1.15
		Pierdere de presiune apa (H/M/L)	kPa	16.4/12.6/10.9	33.9/30/24	33/22.6/17.7
		Putere absorbita (H/M/L)	W	77/42/32	107/71/54	125/58/38
Incalzire <sup>2</sup>		Capacitate (H/M/L)	kW	8.52/6.36/5.93	11.7/9.88/9.27	12.29/9.17/8.24
		Debit nominal apa (H/M/L)	m <sup>3</sup> /h	0.68/0.59/0.55	0.96/0.89/0.84	0.99/0.83/0.76
		Pierdere de presiune apa (H/M/L)	kPa	34/26.6/23.5	42.4/36.6/32.6	48.7/32.5/27
		Putere absorbita (H/M/L)	W	76/42/32	107/72/55	126/58/38
Incalzire <sup>3</sup>		Capacitate (H/M/L)	kW	8.37/7.24/6.76	12.19/11.21/10.52	12.47/10.53/9.53
		Debit nominal apa (H/M/L)	m <sup>3</sup> /h	0.78/0.67/0.63	1.10/1.00/0.95	1.14/0.96/0.87
		Pierdere de presiune apa (H/M/L)	kPa	43.8/33.5/29.3	52.1/44.9/40.6	62.1/45.7/38.3
		Putere absorbita (H/M/L)	W	76/41/32	107/72/55	126/58/38
Nivel de presiune sonora	(H/M/L)	dB(A)	46/41/38	48/44/42	49/43/38	
Curent nominal		A	0.6	0.9	1	
Motor ventilator	Tip		DC motor	DC motor	DC motor	
	Cantitate		1	1	1	
ventilator	Tip		Palete, centrifugale, curbate			
	Cantitate		1	1	1	
Baterie	Rand		2	3	3	
	Presiune maxima de lucru	MPa	1.6			
	Inaltime baterie	mm	1990x252	2050x252	2080x252	
	Tip aripioare		Aluminiu hidrofil			
	Numar de circuite		Apa rece 9; Apa calda 3	C Apa rece 14; Apa calda 4		
	Distanta dintre aripioare	mm	1.5			
	Diametru	mm	Φ7			
Panou	Dimensiuni WxHxD	mm	950x45x950			
	Ambalaj WxHxD	mm	1035x90x1035			
	Masa neta	kg	6			
	Masa bruta	kg	9			
Corp	Dimensiuni WxHxD	mm	840x300x840			
	Ambalaj WxHxD	mm	900x330x900			
	Masa neta	kg	27.5	30	30	
	Masa bruta	kg	32.4	35	35	
Racord teava	Teava tu/retur	inch	Apa rece RC3/4;	Apa calda RC1/2		
	Teava de golire	mm	ODΦ32			

### Observatii:

Pe baza conditiilor Eurovent:

H: Viteza inalta ventilator; M: Viteza medie ventilator; Viteza redusa ventilator;

1. Regim de racire (baterie cu 2 si 4 tevi): temperatura intrare aer : 27 °C bulb uscat/19 °C bulb umed, temperatura intrare si iesire apa 7°C/12°C, la viteza ridicata ventilator.

2. Regim de incalzire (1) (baterie cu 4 tevi): temperatura intrare aer : 20 °C, temperatura intrare apa 65/55°C, la viteza ridicata ventilator.

3. Regim de incalzire (2) (baterie cu 4 tevi): temperatura intrare aer : 20 °C, temperatura intrare apa 70/60°C, la viteza ridicata ventilator.

## 6. Tabelul de capacitati Tabel capacitate de racire

MKA-V800F																						
EWT	ΔT	Temp. Interna (W.B.)	Temperatura interna (D.B.)																			
			21				23				25				27				29			
			TC	SC	WF	WPD	TC	SC	WF	WPD	TC	SC	WF	WPD	TC	SC	WF	WPD	TC	SC	WF	WPD
°C	°C	°C	kW	kW	m³/h	kPa	kW	kW	m³/h	kPa	kW	kW	m³/h	kPa	kW	kW	m³/h	kPa	kW	kW	m³/h	kPa
5	3	15	5.15	4.04	0.99	33.52	5.2	4.73	1.48	35.1	5.23	5.21	1.49	35.39	5.85	5.85	1.67	42.85	6.47	6.47	1.84	50.79
		17	6.63	3.71	1.89	53.01	5.73	4.13	0.99	22.05	6.56	4.84	1.87	52.04	6.34	5.31	0.99	43.81	6.66	6.22	0.99	52.63
		19	8.6	3.78	2.45	82.7	8.56	4.35	2.44	81.99	8.52	4.91	2.43	81.28	6.43	4.88	0.99	17.34	8.43	6.02	2.4	79.88
		20	-	-	-	-	9.50	4.38	2.74	99.72	9.55	4.95	2.72	98.88	9.5	5.51	2.71	98.06	9.45	6.06	2.7	97.23
	4	15	4.63	3.99	0.99	19.63	4.14	4.07	0.99	13.58	4.81	4.81	1.03	18.76	5.45	5.45	1.17	23.34	6.08	6.08	1.3	28.08
		17	5.66	3.29	1.21	24.83	5.66	3.87	0.99	25.19	6.14	4.91	1.32	28.5	5.79	5.37	0.99	23.52	6.09	6	1.31	28.16
		19	7.7	3.39	1.65	41.9	7.66	3.96	1.64	41.51	7.62	4.53	1.63	41.13	6.43	4.88	0.99	17.34	7.54	5.63	1.62	40.38
		20	-	-	-	-	8.71	4.01	1.87	51.69	8.67	4.57	1.86	51.23	8.62	5.13	1.85	50.78	8.58	5.68	1.84	50.33
	5	15	2.63	2.63	0.45	3.65	3.21	3.21	0.55	4.46	4.27	4.27	0.73	7.28	4.98	4.98	0.85	12.3	5.65	5.65	0.97	16.64
		17	5.76	3.9	0.99	17.65	5.16	4.15	0.89	13.63	4.42	4.04	0.76	8.24	4.99	4.91	0.99	12.39	5.65	5.65	0.97	16.67
		19	6.65	2.96	1.14	22.3	6.61	3.53	1.13	22.06	6.57	4.09	1.13	21.82	6.43	4.88	0.99	17.34	6.92	5.62	0.99	23.85
		20	-	-	-	-	7.72	3.6	1.32	28.7	7.68	4.16	1.32	28.42	7.64	4.72	1.31	28.15	7.59	5.27	1.3	27.88
6	15	2.44	2.44	0.35	2.78	2.89	2.89	0.41	3.28	3.34	3.34	0.48	3.8	4.17	4.17	0.6	4.77	5.11	5.11	0.73	7.43	
	17	2.71	2.29	0.99	3.08	4.41	3.92	0.99	6.36	3.34	3.34	0.48	3.8	4.17	4.17	0.6	4.78	5.12	5.12	0.73	7.46	
	19	5.64	2.75	0.99	10.33	6.2	3.98	0.99	12.08	6.33	4.49	0.99	14.42	5.88	4.83	0.84	11.88	5.76	5.3	0.99	11.15	
	20	-	-	-	-	6.5	3.11	0.93	15.28	6.46	3.67	0.92	15.04	6.68	4.47	0.99	16.03	6.96	5.24	0.99	17.46	
7	3	15	3.42	3.15	0.98	17.02	3.98	3.98	1.14	22.07	4.62	4.62	1.32	28.36	5.24	5.24	1.5	35.18	5.86	5.86	1.68	42.52
		17	5.24	3.12	1.5	35.08	4.85	3.87	0.99	20	5.17	4.24	0.99	34.46	5.53	5.28	1.58	38.44	5.87	5.87	1.68	42.59
		19	7.23	3.19	2.07	60.76	7.19	3.76	2.06	60.19	7.15	4.33	2.05	59.62	5.62	4.57	0.99	17.18	7.07	5.43	2.02	58.5
		20	-	-	-	-	8.23	3.8	2.36	75.85	8.18	4.37	2.34	75.16	8.14	4.93	2.33	74.49	8.1	5.48	2.32	73.82
	4	15	2.52	2.52	0.54	4.18	3.49	3.49	0.75	8.54	4.19	4.19	0.9	14.35	4.84	4.84	1.04	18.78	5.48	5.48	1.18	23.17
		17	4.95	3.42	0.99	19.59	4.63	3.78	0.99	17.4	4.29	4	0.92	15.08	4.85	4.83	1.04	18.81	5.48	5.48	1.18	23.21
		19	6.25	2.8	1.34	28.93	6.21	3.37	1.33	28.63	6.17	3.93	1.33	28.33	5.62	4.57	0.99	17.18	6.26	5.28	0.99	27.89
		20	-	-	-	-	7.28	3.42	1.56	37.5	7.24	3.98	1.56	37.14	7.2	4.54	1.55	36.78	7.16	5.09	1.54	36.42
	5	15	2.19	2.19	0.38	2.86	2.63	2.63	0.45	3.44	3.55	3.55	0.81	4.74	4.36	4.36	0.75	8.64	5.04	5.04	0.87	13.23
		17	2.33	2.15	0.4	3.04	2.63	2.63	0.45	3.44	3.56	3.56	0.81	4.76	4.36	4.36	0.75	8.68	5.05	5.05	0.87	13.26
		19	5.12	2.36	0.99	14.17	5.68	3.42	0.98	16.73	5.72	4.13	0.98	16.93	5.36	4.66	0.99	14.8	5.6	5.29	0.96	16.32
		20	-	-	-	-	6.18	2.99	1.06	19.39	6.14	3.55	1.06	19.16	6.22	4.41	0.99	17.82	6.66	5.12	0.99	22.51
6	15	2	2	0.29	2.14	2.44	2.44	0.35	2.62	2.88	2.88	0.41	3.09	3.39	3.39	0.49	3.64	4.47	4.47	0.64	5.26	
	17	2.06	1.95	0.29	2.2	2.44	2.44	0.35	2.62	2.88	2.88	0.41	3.1	3.39	3.39	0.49	3.65	4.47	4.47	0.64	5.28	
	19	3.9	2.88	0.99	4.14	4.29	3.3	0.99	4.93	4.4	3.9	0.99	5.41	3.4	3.4	0.49	3.65	4.48	4.48	0.64	5.3	
	20	-	-	-	-	5.82	3.53	0.99	10.95	5.15	3.85	0.99	7.07	3.78	3.66	0.99	3.99	5.09	4.55	0.99	8.59	
9	3	15	2.67	2.67	0.76	9.66	3.35	3.35	0.96	16.13	4	4	1.14	21.8	4.63	4.63	1.32	27.93	5.25	5.25	1.5	34.59
		17	4.46	3.24	0.99	26.08	3.66	3.09	1.05	18.79	4.03	3.91	1.15	22.04	4.64	4.64	1.33	27.99	5.26	5.26	1.5	34.66
		19	5.74	2.59	1.64	40.15	5.7	3.16	1.63	39.72	5.66	3.73	1.62	39.29	5.63	4.28	1.61	38.87	5.61	4.99	1.6	38.66
		20	-	-	-	-	6.75	3.2	1.93	53	6.71	3.77	1.92	52.47	6.67	4.33	1.91	51.94	6.63	4.88	1.9	51.42
	4	15	1.93	1.93	0.41	3.01	2.78	2.78	0.6	4.49	3.55	3.55	0.76	9.7	4.22	4.22	0.91	14.54	4.87	4.87	1.05	18.62
		17	2.61	2.31	0.99	4.47	2.79	2.78	0.6	4.49	3.55	3.55	0.76	9.73	4.23	4.23	0.91	14.57	4.88	4.88	1.05	18.65
		19	4.89	2.46	0.99	17.94	5.2	3.24	0.99	20.67	5.34	3.95	0.99	22.43	5.07	4.4	0.99	20.47	4.94	4.73	1.06	19.06
		20	-	-	-	-	5.71	2.81	1.23	24.38	5.68	3.37	1.22	24.1	5.87	4.14	0.99	25.6	6.17	4.79	0.99	32.66
	5	15	1.74	1.74	0.3	2.15	2.19	2.19	0.38	2.7	2.66	2.66	0.46	3.29	3.7	3.7	0.64	5.33	4.42	4.42	0.76	9.74
		17	1.75	1.73	0.3	2.16	2.19	2.19	0.38	2.7	2.66	2.66	0.46	3.29	3.71	3.71	0.64	5.35	4.43	4.43	0.76	9.77
		19	4.71	2.88	0.99	12.4	3.54	2.87	0.99	4.67	3.05	2.98	0.99	3.89	3.72	3.62	0.64	5.39	4.43	4.43	0.76	9.8
		20	-	-	-	-	5.56	3.2	0.99	16.1	5.11	3.56	0.99	13.69	5.21	4.32	0.99	14.28	4.6	4.21	0.79	10.84
6	15	1.56	1.56	0.22	1.58	2	2	0.29	2.02	2.44	2.44	0.35	2.48	2.88	2.88	0.41	2.92	3.61	3.61	0.52	3.68	
	17	1.56	1.55	0.22	1.58	2	2	0.29	2.03	2.44	2.44	0.35	2.48	2.88	2.88	0.41	2.92	3.62	3.62	0.52	3.69	
	19	1.99	1.44	0.99	1.95	2.1	1.98	0.3	2.12	2.44	2.44	0.35	2.48	2.88	2.88	0.41	2.92	3.63	3.63	0.52	3.7	
	20	-	-	-	-	2.51	1.93	0.36	2.53	2.56	2.41	0.37	2.59	3.86	3.65	0.99	4.62	3.63	3.63	0.52	3.7	



MKA-V600F																							
EWT	ΔT	Temp. interna (W.B.)	Temperatura interna (D.B.)																				
			21				23				25				27				29				
			TC	SC	WF	WPD	TC	SC	WF	WPD	TC	SC	WF	WPD	TC	SC	WF	WPD	TC	SC	WF	WPD	
°C	°C	°C	kW	kW	m³/h	kPa	kW	kW	m³/h	kPa	kW	kW	m³/h	kPa	kW	kW	m³/h	kPa	kW	kW	m³/h	kPa	
11	3	15	1.93	1.93	0.55	3.89	2.71	2.71	0.78	10.55	3.37	3.37	0.97	16.1	4.01	4.01	1.15	21.61	4.64	4.64	1.33	27.63	
		17	1.96	1.89	0.99	4	2.71	2.71	0.78	10.58	3.38	3.38	0.97	16.13	4.02	4.02	1.15	21.65	4.65	4.65	1.33	27.68	
		19	4.38	2.27	0.99	23.96	4.63	3.02	1.33	27.48	4.31	3.44	0.99	23.14	4.17	3.82	1.19	23	4.65	4.62	1.33	27.73	
		20	-	-	-	-	5.14	2.6	1.47	32.88	4.49	3.19	0.99	16.7	5.07	3.72	1.45	32.1	5.05	4.31	0.99	31.87	
	4	15	1.49	1.49	0.32	2.2	1.93	1.93	0.41	2.96	2.88	2.88	0.62	5.13	3.6	3.6	0.77	10.5	4.26	4.26	0.91	14.59	
		17	1.49	1.49	0.32	2.2	1.93	1.93	0.41	2.96	2.89	2.89	0.62	5.15	3.6	3.6	0.77	10.53	4.26	4.26	0.92	14.62	
		19	3.8	2.6	0.99	12.07	1.98	1.88	0.99	2.93	3.06	2.9	0.99	6.57	3.6	3.58	0.77	10.56	4.27	4.27	0.92	14.65	
		20	-	-	-	-	4.88	2.95	0.99	18.39	4.58	3.4	0.98	16.49	4.01	3.45	0.86	13.15	4.33	4.12	0.93	15.04	
	5	15	1.3	1.3	0.22	1.52	1.74	1.74	0.3	2.04	2.18	2.18	0.38	2.55	2.8	2.8	0.48	3.28	3.78	3.78	0.65	6.27	
		17	1.3	1.3	0.22	1.52	1.74	1.74	0.3	2.04	2.18	2.18	0.38	2.55	2.81	2.81	0.48	3.29	3.79	3.79	0.65	6.29	
		19	1.59	1.36	0.27	1.85	1.77	1.73	0.3	2.06	2.19	2.19	0.38	2.55	2.81	2.81	0.48	3.29	3.79	3.79	0.65	6.32	
		20	-	-	-	-	2.02	1.73	0.35	2.35	2.21	2.17	0.38	2.58	2.82	2.82	0.48	3.3	3.8	3.8	0.65	6.33	
6	15	1.12	1.12	0.16	1.07	1.56	1.56	0.22	1.49	2	2	0.29	1.92	2.44	2.44	0.35	2.35	2.89	2.89	0.42	2.78		
	17	1.12	1.12	0.16	1.07	1.56	1.56	0.22	1.5	2	2	0.29	1.92	2.44	2.44	0.35	2.35	2.9	2.9	0.42	2.79		
	19	1.28	1.2	0.18	1.22	1.57	1.55	0.22	1.5	2	2	0.29	1.92	2.44	2.44	0.35	2.35	2.9	2.9	0.42	2.79		
	20	-	-	-	-	1.7	1.54	0.24	1.62	2	1.98	0.29	1.92	2.44	2.44	0.35	2.35	2.9	2.9	0.42	2.79		
13	3	15	1.23	1.23	0.35	2.33	2.02	2.02	0.58	4.31	2.73	2.73	0.78	10.95	3.39	3.39	0.97	16.01	4.03	4.03	1.16	21.4	
		17	1.23	1.23	0.35	2.33	2.02	2.02	0.58	4.32	2.74	2.74	0.79	10.97	3.39	3.39	0.97	16.04	4.03	4.03	1.16	21.44	
		19	1.91	1.21	0.99	3.75	2.17	1.91	0.62	5.59	2.75	2.69	0.79	11.07	3.4	3.4	0.98	16.07	4.03	4.03	1.16	21.48	
		20	-	-	-	-	4.17	2.71	1.2	22.7	3.31	2.52	0.95	15.35	3.52	3.24	1.01	17.07	4.04	4.01	1.16	21.5	
	4	15	1.04	1.04	0.22	1.46	1.49	1.49	0.32	2.09	1.96	1.96	0.42	2.75	2.94	2.94	0.63	6.04	3.63	3.63	0.78	10.85	
		17	1.04	1.04	0.22	1.46	1.49	1.49	0.32	2.09	1.96	1.96	0.42	2.75	2.94	2.94	0.63	6.06	3.63	3.63	0.78	10.87	
		19	1.13	1.03	0.99	1.57	1.49	1.49	0.32	2.09	1.96	1.96	0.42	2.76	2.95	2.95	0.63	6.09	3.64	3.64	0.78	10.9	
		20	-	-	-	-	2.26	1.77	0.99	3.52	1.96	1.96	0.42	2.76	2.95	2.95	0.63	6.1	3.64	3.64	0.78	10.91	
	5	15	0.87	0.87	0.15	0.95	1.3	1.3	0.22	1.44	1.74	1.74	0.3	1.93	2.18	2.18	0.38	2.42	3.08	3.08	0.53	3.55	
		17	0.87	0.87	0.15	0.96	1.3	1.3	0.22	1.44	1.74	1.74	0.3	1.93	2.18	2.18	0.38	2.42	3.09	3.09	0.53	3.56	
		19	0.89	0.85	0.15	0.99	1.3	1.3	0.22	1.44	1.75	1.75	0.3	1.93	2.18	2.18	0.38	2.42	3.09	3.09	0.53	3.57	
		20	-	-	-	-	1.33	1.28	0.23	1.47	1.75	1.75	0.3	1.94	2.18	2.18	0.38	2.42	3.09	3.09	0.53	3.58	
6	15	0.69	0.69	0.99	0.62	1.12	1.12	0.16	1.02	1.56	1.56	0.22	1.42	2	2	0.29	1.82	2.43	2.43	0.35	2.22		
	17	0.69	0.69	0.99	0.62	1.12	1.12	0.16	1.02	1.56	1.56	0.22	1.42	2	2	0.29	1.82	2.44	2.44	0.35	2.22		
	19	0.69	0.67	0.1	0.62	1.13	1.13	0.16	1.02	1.56	1.56	0.22	1.42	2	2	0.29	1.82	2.44	2.44	0.35	2.22		
	20	-	-	-	-	1.14	1.11	0.16	1.03	1.56	1.56	0.22	1.42	2	2	0.29	1.82	2.44	2.44	0.35	2.22		
15	3	15	0.78	0.78	0.22	1.41	1.22	1.22	0.35	2.21	2.06	2.06	0.59	5.04	2.76	2.76	0.79	11.05	3.41	3.41	0.98	15.87	
		17	0.78	0.78	0.23	1.41	1.23	1.23	0.35	2.21	2.06	2.06	0.59	5.06	2.76	2.76	0.79	11.07	3.41	3.41	0.98	15.9	
		19	0.79	0.77	0.23	1.41	1.23	1.23	0.35	2.21	2.07	2.07	0.59	5.09	2.76	2.76	0.79	11.1	3.41	3.41	0.98	15.93	
		20	-	-	-	-	1.23	1.22	0.35	2.21	2.07	2.07	0.59	5.1	2.76	2.76	0.79	11.11	3.41	3.41	0.98	15.94	
	4	15	0.61	0.61	0.13	0.8	1.04	1.04	0.22	1.39	1.49	1.49	0.32	1.98	2.08	2.08	0.45	2.78	2.98	2.98	0.64	6.82	
		17	0.61	0.61	0.13	0.8	1.04	1.04	0.22	1.39	1.49	1.49	0.32	1.98	2.08	2.08	0.45	2.78	2.99	2.99	0.64	6.85	
		19	0.61	0.61	0.13	0.8	1.04	1.04	0.22	1.39	1.49	1.49	0.32	1.98	2.09	2.09	0.45	2.79	2.99	2.99	0.64	6.87	
		20	-	-	-	-	1.04	1.04	0.22	1.39	1.49	1.49	0.32	1.98	2.09	2.09	0.45	2.79	2.99	2.99	0.64	6.89	
	5	15	0.52	0.52	0.99	0.6	0.86	0.86	0.15	0.91	1.3	1.3	0.22	1.37	1.74	1.74	0.3	1.83	2.19	2.19	0.38	2.3	
		17	0.52	0.52	0.99	0.6	0.87	0.87	0.15	0.91	1.3	1.3	0.22	1.37	1.74	1.74	0.3	1.83	2.19	2.19	0.38	2.3	
		19	0.52	0.52	0.99	0.6	0.87	0.87	0.15	0.91	1.3	1.3	0.22	1.37	1.74	1.74	0.3	1.83	2.19	2.19	0.38	2.3	
		20	-	-	-	-	0.87	0.87	0.15	0.91	1.3	1.3	0.22	1.37	1.75	1.75	0.3	1.84	2.19	2.19	0.38	2.31	
6	15	-	-	-	-	0.69	0.69	0.1	0.59	1.12	1.12	0.16	0.97	1.56	1.56	0.22	1.35	2	2	0.29	1.73		
	17	-	-	-	-	0.69	0.69	0.1	0.59	1.12	1.12	0.16	0.97	1.56	1.56	0.22	1.35	2	2	0.29	1.73		
	19	-	-	-	-	0.69	0.69	0.99	0.59	1.13	1.13	0.16	0.97	1.56	1.56	0.22	1.35	2	2	0.29	1.73		
	20	-	-	-	-	0.69	0.69	0.99	0.59	1.13	1.13	0.16	0.97	1.56	1.56	0.22	1.35	2	2	0.29	1.73		

**Prescurtari:**

EWT: Temperatura de intrare apa (°C)  
 WB: Temperatura cu bulb umed (°C)  
 Δt: Diferenta de temperatura (°C)  
 TC: Capacitatea totala de racire (°C)

DB: Temperatura cu bulb uscat (°C)  
 SC: Capacitatea de racire sensibila (kW)  
 WF: Debitul de apa (m³/h)  
 WPD: Pierderea de presiune a apei (kPa)

MKA-V750F																						
EWT	ΔT	Temp. interna (W.B.)	Temperatura interna (D.B.)																			
			21				23				25				27				29			
			TC	SC	WF	WPD	TC	SC	WF	WPD	TC	SC	WF	WPD	TC	SC	WF	WPD	TC	SC	WF	WPD
°C	°C	°C	kW	kW	m³3/h	kPa	kW	kW	m³3/h	kPa	kW	kW	m³3/h	kPa	kW	kW	m³3/h	kPa	kW	kW	m³3/h	kPa
5	3	15	5.39	4.26	1.04	36.02	4.79	4.37	1.37	30.06	5.28	5.28	1.51	35.5	5.92	5.92	1.69	43.1	6.56	6.56	1.87	51.21
		17	6.66	3.75	1.9	52.61	6.63	4.33	1.89	52.15	6.59	4.9	1.88	51.7	6.75	5.73	1.04	50.74	6.66	6.28	1.9	52.62
		19	8.68	3.81	2.47	82.67	8.63	4.4	2.46	82	8.59	4.98	2.45	81.34	8.55	5.55	2.44	80.69	8.51	6.11	2.43	80.04
		20	-	-	-	-	9.69	4.43	2.76	99.99	9.65	5.01	2.75	99.2	9.6	5.59	2.74	98.43	9.56	6.16	2.73	97.66
	4	15	3.5	3.22	1.04	7.68	4.14	4.12	0.89	13.36	4.83	4.83	1.03	18.62	5.49	5.49	1.18	23.28	6.14	6.14	1.32	28.11
		17	5.6	3.29	1.2	24.09	5.99	4.38	1.04	24	6.37	5.23	1.04	30.46	6.12	5.72	1.04	27.91	6.14	6.1	1.32	28.16
		19	7.71	3.4	1.65	41.33	7.67	3.98	1.64	40.97	7.63	4.56	1.64	40.61	7.59	5.13	1.63	40.26	7.55	5.7	1.62	39.91
		20	-	-	-	-	8.75	4.03	1.88	51.26	8.71	4.61	1.87	50.83	8.66	5.18	1.86	50.41	8.62	5.75	1.85	49.99
	5	15	2.57	2.57	0.44	3.51	3.09	3.09	0.53	4.22	4.23	4.23	0.73	6.98	4.98	4.98	0.85	12.09	5.67	5.67	0.97	16.52
		17	5.36	3.79	1.04	14.66	4.68	3.73	1.04	10.75	5.61	5.02	1.04	18.92	4.98	4.94	0.85	12.11	5.67	5.67	0.97	16.55
		19	6.57	2.93	1.13	21.48	6.53	3.52	1.12	21.26	6.49	4.09	1.11	21.04	6.79	5.08	1.04	20.86	7.07	5.89	1.04	24.33
		20	-	-	-	-	7.68	3.59	1.32	27.98	7.64	4.17	1.31	27.72	7.59	4.74	1.3	27.47	7.55	5.31	1.3	27.22
6	15	2.38	2.38	0.34	2.66	2.82	2.82	0.4	3.16	3.25	3.25	0.46	3.64	3.97	3.97	0.57	4.47	5.08	5.08	0.73	7.16	
	17	2.6	2.31	0.37	2.9	2.82	2.76	1.04	3.16	5.61	5.02	1.04	18.92	3.98	3.98	0.57	4.47	5.08	5.08	0.73	7.19	
	19	5.9	3.37	1.04	9.7	6.5	4.14	1.04	14.97	5.97	4.42	1.04	12.21	5.6	4.78	1.04	10.26	5.19	4.87	0.74	7.7	
	20	-	-	-	-	6.32	3.05	0.9	14.11	6.47	3.71	1.04	15.55	6.97	4.84	1.04	16.91	7.05	5.56	1.01	17.62	
7	3	15	3.45	3.25	1.04	16.8	4.01	4.01	1.15	21.98	4.66	4.66	1.34	28.39	5.31	5.31	1.52	35.35	5.94	5.94	1.7	42.83
		17	5.23	3.14	1.5	34.48	5.72	4.16	1.64	40.16	5.71	4.81	1.04	40.37	5.37	5.12	1.54	36.07	5.95	5.95	1.7	42.9
		19	7.27	3.21	2.08	60.42	7.23	3.8	2.07	59.88	7.19	4.38	2.08	59.35	7.16	4.95	2.05	58.83	7.12	5.51	2.04	58.3
		20	-	-	-	-	8.29	3.84	2.37	75.75	8.25	4.42	2.36	75.11	8.21	4.99	2.35	74.47	8.17	5.56	2.34	73.84
	4	15	2.4	2.4	0.52	3.93	3.48	3.48	0.75	8.25	4.19	4.19	0.9	14.19	4.87	4.87	1.05	18.69	5.53	5.53	1.19	23.16
		17	5.23	3.8	1.04	21.37	4.59	3.69	1.04	18.2	4.26	4.04	0.92	14.68	4.87	4.87	1.05	18.72	5.53	5.53	1.19	23.19
		19	6.21	2.79	1.33	28.23	6.18	3.37	1.33	27.95	6.14	3.95	1.32	27.66	6.53	4.92	1.04	30.59	6.42	5.48	1.04	28.87
		20	-	-	-	-	7.28	3.43	1.56	36.91	7.24	4.01	1.55	36.56	7.2	4.58	1.55	36.22	7.16	5.15	1.54	35.89
	5	15	2.13	2.13	0.37	2.74	2.56	2.56	0.44	3.3	3.44	3.44	0.59	4.47	4.34	4.34	0.75	8.4	5.05	5.05	0.87	13.09
		17	2.21	2.07	1.04	2.84	2.57	2.57	0.44	3.3	3.45	3.45	0.59	4.48	4.34	4.34	0.75	8.43	5.06	5.06	0.87	13.12
		19	5.52	2.69	1.04	16.43	6.04	4	1.04	17.75	5.83	4.36	1	17.29	5.82	4.98	1.03	15.9	5.15	4.85	0.89	13.68
		20	-	-	-	-	6.08	2.96	1.04	18.56	6.3	3.82	1.04	19.27	6.8	4.82	1.04	22.39	6.63	5.4	1.04	21
6	15	1.94	1.94	0.28	2.05	2.38	2.38	0.34	2.51	2.81	2.81	0.4	2.97	3.28	3.28	0.47	3.47	4.4	4.4	0.63	5.01	
	17	1.97	1.9	0.28	2.08	2.38	2.38	0.34	2.51	2.81	2.81	0.4	2.98	3.28	3.28	0.47	3.48	4.41	4.41	0.63	5.02	
	19	2.87	2.07	1.04	3.03	2.68	2.34	0.38	2.83	2.84	2.75	1.04	3	3.29	3.29	0.47	3.48	4.42	4.42	0.63	5.04	
	20	-	-	-	-	5.99	3.63	0.86	12.76	3.64	2.89	1.04	3.98	5.27	4.41	0.75	8.98	4.56	4.3	1.04	5.44	
9	3	15	2.66	2.66	0.76	9.41	3.36	3.36	0.96	16	4.03	4.03	1.15	21.76	4.68	4.68	1.34	28.01	5.32	5.32	1.52	34.81
		17	3.78	2.69	1.04	18.96	3.63	3.13	1.04	18.2	4.05	3.97	1.16	21.9	4.68	4.68	1.34	28.06	5.32	5.32	1.52	34.87
		19	5.74	2.6	1.64	39.57	5.08	3.37	1.04	18.15	4.96	3.88	1.04	18.07	5.84	4.42	1.04	45.88	5.8	5.25	1.04	37.78
		20	-	-	-	-	6.78	3.23	1.94	52.58	6.74	3.81	1.93	52.08	5.49	4.26	1.04	18.08	5.42	4.83	1.04	18.04
	4	15	1.88	1.88	0.4	2.9	2.71	2.71	0.58	4.25	3.54	3.54	0.76	9.49	4.24	4.24	0.91	14.42	4.9	4.9	1.05	18.57
		17	1.89	1.85	0.41	2.91	2.72	2.72	0.58	4.26	3.55	3.55	0.76	9.52	4.24	4.24	0.91	14.45	4.91	4.91	1.05	18.6
		19	5.08	2.53	1.04	20.53	5.08	3.37	1.04	18.15	4.96	3.85	1.04	18.11	4.56	3.99	1.04	16.65	4.95	4.78	1.06	18.85
		20	-	-	-	-	5.66	2.81	1.22	23.65	5.9	3.66	1.04	24.78	5.51	4.29	1.04	18.14	5.43	4.81	1.04	18.09
	5	15	1.69	1.69	0.29	2.06	2.13	2.13	0.37	2.59	2.58	2.58	0.44	3.14	3.66	3.66	0.63	5.08	4.42	4.42	0.76	9.57
		17	1.69	1.69	0.29	2.06	2.13	2.13	0.37	2.59	2.58	2.58	0.44	3.14	3.67	3.67	0.63	5.1	4.42	4.42	0.76	9.6
		19	4.16	2.51	1.04	9.64	5.36	3.74	1.04	19.43	3.16	3.04	1.04	4.1	3.68	3.68	0.63	5.13	4.43	4.43	0.76	9.63
		20	-	-	-	-	5.35	3.22	1.04	14.89	5.21	3.85	0.89	13.92	4.75	3.99	1.04	11.91	4.54	4.25	1.04	10.33
6	15	1.51	1.51	0.22	1.5	1.94	1.94	0.28	1.94	2.38	2.38	0.34	2.38	2.81	2.81	0.4	2.81	3.43	3.43	0.49	3.44	
	17	1.51	1.51	0.22	1.5	1.94	1.94	0.28	1.94	2.38	2.38	0.34	2.38	2.81	2.81	0.4	2.81	3.44	3.44	0.49	3.44	
	19	1.97	1.6	1.04	1.96	2.01	1.9	0.29	2	2.38	2.38	0.34	2.38	2.81	2.81	0.4	2.81	3.44	3.44	0.49	3.45	
	20	-	-	-	-	2.36	1.92	0.34	2.35	4	3.63	1.04	4.68	2.81	2.81	0.4	2.81	3.45	3.45	0.49	3.45	

MKA-V750F																							
EWT	ΔT	Temp. interna (W.B.)	Temperatura interna (D.B.)																				
			21				23				25				27				29				
			TC	SC	WF	WPD	TC	SC	WF	WPD	TC	SC	WF	WPD	TC	SC	WF	WPD	TC	SC	WF	WPD	
°C	°C	°C	kW	kW	m³/h	kPa	kW	kW	m³/h	kPa	kW	kW	m³/h	kPa	kW	kW	m³/h	kPa	kW	kW	m³/h	kPa	
11	3	15	1.82	1.82	0.52	3.6	2.7	2.7	0.77	10.37	3.39	3.39	0.97	16.01	4.05	4.05	1.16	21.61	4.69	4.69	1.35	27.75	
		17	1.83	1.83	0.52	3.61	2.71	2.71	0.78	10.4	3.4	3.4	0.97	16.04	4.05	4.05	1.16	21.65	4.7	4.7	1.35	27.8	
		19	4.77	2.64	1.04	27.63	4.89	3.37	1.4	29.77	4.59	3.75	1.04	26.71	4.17	3.89	1.2	22.72	4.7	4.7	1.35	27.84	
		20	-	-	-	-	5.13	2.61	1.47	32.24	4.68	3.47	1.04	17.87	5.29	3.95	1.04	34.38	5.22	4.68	1.04	30.96	
	4	15	1.44	1.44	0.31	2.11	1.88	1.88	0.4	2.74	2.85	2.85	0.61	4.88	3.6	3.6	0.77	10.36	4.28	4.28	0.92	14.51	
		17	1.45	1.45	0.31	2.11	1.88	1.88	0.4	2.74	2.85	2.85	0.61	4.9	3.6	3.6	0.77	10.38	4.28	4.28	0.92	14.53	
		19	2.09	1.76	1.04	3.04	2.61	2.16	1.04	4.24	2.89	2.78	0.62	5.08	3.6	3.6	0.77	10.41	4.29	4.29	0.92	14.56	
		20	-	-	-	-	4.72	2.96	1.04	17.14	4.7	3.71	1.01	16.99	4.04	3.58	0.87	13.09	4.33	4.17	1.04	14.81	
	5	15	1.26	1.26	0.22	1.45	1.69	1.69	0.29	1.95	2.13	2.13	0.37	2.45	2.66	2.66	0.46	3.07	3.76	3.76	0.65	6.05	
		17	1.26	1.26	0.22	1.45	1.69	1.69	0.29	1.95	2.13	2.13	0.37	2.45	2.67	2.67	0.46	3.08	3.77	3.77	0.65	6.07	
		19	1.48	1.3	1.04	1.69	1.7	1.7	0.29	1.96	2.13	2.13	0.37	2.45	2.67	2.67	0.46	3.08	3.77	3.77	0.65	6.09	
		20	-	-	-	-	1.93	1.76	1.04	2.21	2.14	2.12	0.37	2.46	2.67	2.67	0.46	3.08	3.77	3.77	0.65	6.11	
6	15	1.08	1.08	0.16	1.02	1.51	1.51	0.22	1.43	1.94	1.94	0.28	1.84	2.38	2.38	0.34	2.25	2.81	2.81	0.4	2.66		
	17	1.08	1.08	0.16	1.02	1.51	1.51	0.22	1.43	1.94	1.94	0.28	1.84	2.38	2.38	0.34	2.25	2.81	2.81	0.4	2.67		
	19	1.18	1.06	1.04	1.1	1.51	1.51	0.22	1.43	1.94	1.94	0.28	1.84	2.38	2.38	0.34	2.25	2.82	2.82	0.4	2.67		
	20	-	-	-	-	1.62	1.55	1.04	1.53	1.94	1.94	0.28	1.84	2.38	2.38	0.34	2.25	2.82	2.82	0.4	2.67		
13	3	15	1.2	1.2	0.34	2.24	1.99	1.99	0.57	4.08	2.74	2.74	0.79	10.81	3.41	3.41	0.98	15.95	4.07	4.07	1.17	21.44	
		17	1.2	1.2	0.34	2.24	1.99	1.99	0.57	4.09	2.74	2.74	0.79	10.84	3.42	3.42	0.98	15.98	4.07	4.07	1.17	21.48	
		19	1.77	1.35	1.04	3.31	2.09	1.91	0.6	4.8	2.75	2.71	0.79	10.87	3.42	3.42	0.98	16.01	4.07	4.07	1.17	21.51	
		20	-	-	-	-	3.69	2.47	1.04	17.63	3.24	2.53	0.93	14.57	3.51	3.28	1.01	16.75	4.08	4.08	1.17	21.53	
	4	15	1.01	1.01	0.22	1.39	1.45	1.45	0.31	2	1.89	1.89	0.41	2.62	2.92	2.92	0.63	5.82	3.64	3.64	0.78	10.74	
		17	1.01	1.01	0.22	1.4	1.45	1.45	0.31	2	1.89	1.89	0.41	2.62	2.93	2.93	0.63	5.84	3.64	3.64	0.78	10.76	
		19	1.06	0.98	1.04	1.46	1.45	1.45	0.31	2	1.89	1.89	0.41	2.62	2.93	2.93	0.63	5.87	3.65	3.65	0.78	10.78	
		20	-	-	-	-	1.52	1.47	0.33	2.09	1.89	1.89	0.41	2.62	2.93	2.93	0.63	5.88	3.65	3.65	0.79	10.79	
	5	15	0.83	0.83	0.14	0.91	1.26	1.26	0.22	1.37	1.69	1.69	0.29	1.85	2.12	2.12	0.37	2.32	3.01	3.01	0.52	3.35	
		17	0.83	0.83	0.14	0.91	1.26	1.26	0.22	1.38	1.7	1.7	0.29	1.85	2.12	2.12	0.37	2.32	3.01	3.01	0.52	3.36	
		19	0.85	0.81	0.15	0.92	1.26	1.26	0.22	1.38	1.7	1.7	0.29	1.85	2.13	2.13	0.37	2.32	3.02	3.02	0.52	3.37	
		20	-	-	-	-	1.29	1.27	0.22	1.4	1.7	1.7	0.29	1.85	2.13	2.13	0.37	2.32	3.02	3.02	0.52	3.38	
6	15	0.7	0.7	1.04	0.65	1.08	1.08	0.16	0.97	1.51	1.51	0.22	1.35	1.94	1.94	0.28	1.74	2.37	2.37	0.34	2.13		
	17	0.7	0.7	1.04	0.65	1.08	1.08	0.16	0.97	1.51	1.51	0.22	1.35	1.94	1.94	0.28	1.74	2.38	2.38	0.34	2.13		
	19	0.7	0.68	1.04	0.65	1.09	1.09	0.16	0.97	1.51	1.51	0.22	1.35	1.94	1.94	0.28	1.74	2.38	2.38	0.34	2.13		
	20	-	-	-	-	1.09	1.07	0.16	0.97	1.51	1.51	0.22	1.36	1.95	1.95	0.28	1.75	2.38	2.38	0.34	2.14		
15	3	15	0.76	0.76	0.22	1.34	1.19	1.19	0.34	2.12	2.05	2.05	0.59	4.82	2.77	2.77	0.79	10.95	3.43	3.43	0.99	15.84	
		17	0.76	0.76	0.22	1.35	1.19	1.19	0.34	2.12	2.05	2.05	0.59	4.83	2.77	2.77	0.79	10.97	3.44	3.44	0.99	15.87	
		19	0.76	0.76	0.22	1.35	1.2	1.2	0.34	2.12	2.05	2.05	0.59	4.85	2.77	2.77	0.8	10.99	3.44	3.44	0.99	15.9	
		20	-	-	-	-	1.2	1.2	0.34	2.12	2.05	2.05	0.59	4.88	2.77	2.77	0.8	11	3.44	3.44	0.99	15.91	
	4	15	0.58	0.58	0.13	0.76	1.01	1.01	0.22	1.32	1.45	1.45	0.31	1.9	1.96	1.96	0.42	2.58	2.98	2.98	0.64	6.66	
		17	0.58	0.58	0.13	0.76	1.01	1.01	0.22	1.32	1.45	1.45	0.31	1.9	1.96	1.96	0.42	2.58	2.98	2.98	0.64	6.68	
		19	0.58	0.58	0.13	0.76	1.01	1.01	0.22	1.33	1.45	1.45	0.31	1.9	1.97	1.97	0.42	2.58	2.98	2.98	0.64	6.7	
		20	-	-	-	-	1.01	1.01	0.22	1.33	1.45	1.45	0.31	1.9	1.97	1.97	0.42	2.59	2.98	2.98	0.64	6.72	
	5	15	0.52	0.52	1.04	0.63	0.83	0.83	0.14	0.86	1.26	1.26	0.22	1.3	1.69	1.69	0.29	1.76	2.12	2.12	0.37	2.2	
		17	0.52	0.52	1.04	0.63	0.83	0.83	0.14	0.86	1.26	1.26	0.22	1.3	1.7	1.7	0.29	1.76	2.12	2.12	0.37	2.2	
		19	0.52	0.52	1.04	0.63	0.83	0.83	0.14	0.86	1.26	1.26	0.22	1.31	1.7	1.7	0.29	1.76	2.13	2.13	0.37	2.2	
		20	-	-	-	-	0.83	0.83	0.14	0.86	1.26	1.26	0.22	1.31	1.7	1.7	0.29	1.76	2.13	2.13	0.37	2.21	
6	15	-	-	-	-	0.7	0.7	1.04	0.62	1.08	1.08	0.16	0.92	1.51	1.51	0.22	1.29	1.94	1.94	0.28	1.66		
	17	-	-	-	-	0.7	0.7	0.1	0.62	1.09	1.09	0.16	0.92	1.51	1.51	0.22	1.29	1.94	1.94	0.28	1.66		
	19	-	-	-	-	0.7	0.7	1.04	0.62	1.09	1.09	0.16	0.92	1.51	1.51	0.22	1.29	1.94	1.94	0.28	1.66		
	20	-	-	-	-	0.7	0.7	1.04	0.62	1.09	1.09	0.16	0.92	1.51	1.51	0.22	1.29	1.95	1.95	0.28	1.66		

**Prescurtari:**

EWT: Temperatura de intrare apa (°C)  
 WB: Temperatura cu bulb umed (°C)  
 Δt: Diferenta de temperatura (°C)  
 TC: Capacitatea totala de racire (°C)

DB: Temperatura cu bulb uscat (°C)  
 SC: Capacitatea de racire sensibila (kW)  
 WF: Debitul de apa (m³/h)  
 WPD: Pierderea de presiune a apei (kPa)



MKA-V850F																						
EWT	ΔT	Temp. interna WB	Temperatura interna (D.B.)																			
			21				23				25				27				29			
			TC	SC	WF	WPD	TC	SC	WF	WPD	TC	SC	WF	WPD	TC	SC	WF	WPD	TC	SC	WF	WPD
°C	°C	°C	kW	kW	m³/h	kPa	kW	kW	m³/h	kPa	kW	kW	m³/h	kPa	kW	kW	m³/h	kPa	kW	kW	m³/h	kPa
5	3	15	5.8	4.68	0.99	40.41	4.88	4.45	1.39	30.28	5.39	5.39	1.54	35.83	6.04	6.04	1.72	43.53	6.69	6.69	1.91	51.74
		17	6.79	3.82	1.93	53.03	6.75	4.41	1.93	52.57	6.72	5	1.92	52.12	7.13	5.91	0.99	62.26	6.79	6.41	1.94	53.12
		19	8.84	3.89	2.52	83.41	8.8	4.48	2.51	82.75	8.76	5.08	2.5	82.1	8.72	5.68	2.49	81.46	8.68	6.24	2.48	80.82
		20	-	-	-	-	9.88	4.52	2.82	100.96	9.84	5.12	2.81	100.19	7.04	4.93	0.99	16.66	9.75	6.28	2.78	98.67
	4	15	4.39	3.97	0.99	16.35	4.21	4.2	0.9	13.69	4.92	4.92	1.05	18.81	5.6	5.6	1.2	23.48	6.26	6.26	1.34	28.37
		17	5.7	3.36	1.22	24.23	6.17	4.51	0.99	25.06	6.4	5.2	0.99	30.85	6.07	5.68	0.99	26.36	6.26	6.22	1.34	28.41
		19	7.85	3.46	1.88	41.61	7.81	4.06	1.67	41.26	7.77	4.65	1.67	40.91	7.73	5.24	1.68	40.56	7.69	5.81	1.65	40.22
		20	-	-	-	-	8.91	4.11	1.91	51.85	8.87	4.7	1.9	51.23	7.04	4.93	0.99	16.66	8.78	5.87	1.88	50.41
	5	15	2.59	2.59	0.44	3.45	3.13	3.13	0.54	4.18	4.31	4.31	0.74	7.28	5.07	5.07	0.87	12.46	5.78	5.78	0.99	16.73
		17	5.48	3.89	0.99	15.1	4.89	4.04	0.99	11.23	4.51	4.22	0.99	8.79	5.07	5.04	0.87	12.48	5.78	5.78	0.99	16.76
		19	6.68	2.98	1.15	21.59	6.64	3.58	1.14	21.37	6.6	4.17	1.13	21.16	7.3	5.45	0.99	24.91	7.19	5.99	0.99	24.41
		20	-	-	-	-	7.81	3.65	1.34	28.14	7.77	4.25	1.33	27.89	7.04	4.93	0.99	16.66	7.69	5.41	1.32	27.39
6	15	2.39	2.39	0.34	2.61	2.83	2.83	0.41	3.1	3.27	3.27	0.47	3.58	4.1	4.1	0.59	4.51	5.18	5.18	0.74	7.48	
	17	4.42	3.65	0.99	5.91	2.84	2.8	0.41	3.1	3.28	3.28	0.47	3.59	4.11	4.11	0.59	4.52	5.18	5.18	0.74	7.5	
	19	6.23	3.23	0.99	13.77	6.66	4.29	0.99	15.44	6.26	4.77	0.99	12.98	5.94	5.09	0.85	11.84	5.29	4.97	0.76	8.06	
	20	-	-	-	-	6.42	3.11	0.92	14.31	6.78	4	0.97	15.99	7.04	4.93	0.99	16.66	7.19	5.7	0.99	17.96	
7	3	15	3.47	3.24	0.99	16.73	4.08	4.08	1.17	22.16	4.75	4.75	1.36	28.84	5.41	5.41	1.55	35.68	6.06	6.06	1.74	43.27
		17	5.32	3.2	1.52	34.7	5.9	4.35	0.99	42.33	5.56	4.78	0.99	33.4	5.47	5.23	1.57	36.39	6.07	6.07	1.74	43.34
		19	7.4	3.28	2.12	60.91	7.37	3.87	2.11	60.38	7.33	4.47	2.1	59.85	7.29	5.05	2.09	59.33	7.25	5.63	2.08	58.82
		20	-	-	-	-	8.45	3.91	2.42	76.42	8.41	4.51	2.41	75.79	8.37	5.1	2.4	75.16	8.33	5.68	2.39	74.54
	4	15	2.44	2.44	0.52	3.9	3.54	3.54	0.76	8.62	4.27	4.27	0.92	14.4	4.96	4.96	1.07	18.85	5.63	5.63	1.21	23.36
		17	5.24	3.82	1.13	20.67	4.26	3.52	0.99	14.43	4.34	4.11	0.93	14.86	4.97	4.97	1.07	18.88	5.64	5.64	1.21	23.4
		19	6.32	2.84	1.36	28.39	6.29	3.44	1.35	28.11	6.25	4.03	1.34	27.83	6.66	5.03	0.99	30.94	6.42	5.58	0.99	26.96
		20	-	-	-	-	7.41	3.49	1.59	37.15	7.37	4.09	1.58	36.81	7.33	4.67	1.57	36.48	7.29	5.25	1.57	36.15
	5	15	2.14	2.14	0.37	2.7	2.58	2.58	0.44	3.25	3.55	3.55	0.61	4.56	4.42	4.42	0.76	8.76	5.15	5.15	0.88	13.33
		17	2.22	2.08	0.38	2.79	2.58	2.58	0.44	3.25	3.56	3.56	0.61	4.58	4.43	4.43	0.76	8.79	5.15	5.15	0.89	13.36
		19	5.88	3.09	1.01	17.15	6.04	3.85	0.99	18.12	5.94	4.49	1.02	17.43	5.63	4.95	0.99	16	5.25	4.96	0.9	13.9
		20	-	-	-	-	6.18	3.02	1.06	18.84	6.48	3.92	0.99	20.08	7.01	4.99	0.99	23.37	6.81	5.26	0.99	20.79
6	15	1.95	1.95	0.28	2.01	2.39	2.39	0.34	2.47	2.83	2.83	0.41	2.92	3.31	3.31	0.47	3.43	4.51	4.51	0.65	5.17	
	17	1.98	1.94	0.28	2.04	2.39	2.39	0.34	2.47	2.83	2.83	0.41	2.92	3.32	3.32	0.47	3.43	4.51	4.51	0.65	5.19	
	19	2.76	1.84	0.99	2.85	2.68	2.36	0.99	2.75	2.86	2.8	0.41	2.95	3.32	3.32	0.48	3.43	4.52	4.52	0.65	5.21	
	20	-	-	-	-	3.74	2.56	0.99	3.87	5.66	4.08	0.99	11.09	6.08	5.06	0.99	12.95	4.67	4.38	0.67	5.76	
9	3	15	2.71	2.71	0.78	9.73	3.43	3.43	0.98	16.14	4.11	4.11	1.18	21.94	4.77	4.77	1.37	28.27	5.42	5.42	1.55	35.15
		17	3.68	2.55	1.05	18.23	3.69	3.2	1.06	18.31	4.12	4.04	1.18	22.08	4.78	4.78	1.37	28.31	5.43	5.43	1.55	35.21
		19	5.08	2.86	0.99	16.29	5.8	3.25	1.66	39.43	5.77	3.84	1.65	39.03	5.88	4.61	0.99	39.24	6.06	5.39	0.99	43.48
		20	-	-	-	-	5.6	3.28	0.99	16.29	5.47	3.8	0.99	16.21	6.83	4.47	1.95	52	5.2	4.62	0.99	16.3
	4	15	1.89	1.89	0.41	2.85	2.79	2.79	0.6	4.34	3.61	3.61	0.77	9.8	4.32	4.32	0.93	14.57	5	5	1.07	18.73
		17	2.16	2.08	0.99	3.64	2.79	2.79	0.6	4.35	3.61	3.61	0.78	9.83	4.32	4.32	0.93	14.6	5	5	1.07	18.76
		19	5.08	2.86	0.99	16.27	5.54	3.59	1.19	22.25	5.22	4.03	0.99	20.13	4.6	4.06	0.99	16.27	5.04	4.89	1.08	19.01
		20	-	-	-	-	5.76	2.86	1.24	23.77	5.47	3.8	0.99	16.22	6.12	4.49	0.99	25.85	5.2	4.62	0.99	16.3
	5	15	1.7	1.7	0.29	2.02	2.15	2.15	0.37	2.55	2.6	2.6	0.45	3.09	3.74	3.74	0.64	5.28	4.5	4.5	0.77	9.87
		17	1.7	1.7	0.29	2.02	2.15	2.15	0.37	2.55	2.6	2.6	0.45	3.09	3.74	3.74	0.64	5.3	4.51	4.51	0.77	9.89
		19	3.72	2.18	0.99	6.44	3.78	2.99	0.99	6.28	2.6	2.6	0.45	3.09	3.75	3.73	0.99	5.33	4.51	4.51	0.78	9.92
		20	-	-	-	-	5.8	3.65	0.99	16.5	5.28	3.97	0.99	13.95	4.47	3.81	0.99	9.6	4.62	4.34	0.79	10.57
6	15	1.52	1.52	0.22	1.47	1.95	1.95	0.28	1.9	2.39	2.39	0.34	2.33	2.83	2.83	0.4	2.76	3.52	3.52	0.5	3.45	
	17	1.52	1.52	0.22	1.48	1.95	1.95	0.28	1.9	2.39	2.39	0.34	2.34	2.83	2.83	0.4	2.76	3.53	3.53	0.51	3.45	
	19	1.98	1.64	0.99	1.91	2.01	1.94	0.29	1.95	2.4	2.4	0.34	2.34	2.83	2.83	0.41	2.76	3.54	3.54	0.51	3.46	
	20	-	-	-	-	2.34	1.91	0.99	2.27	2.44	2.34	0.99	2.37	2.83	2.83	0.41	2.76	3.54	3.54	0.51	3.47	

MKA-V850F																							
EWT	ΔT	Temperatura interna (W.B.)	Temperatura interna (D.B.)																				
			21				23				25				27				29				
°C	°C	°C	TC	SC	WF	WPD	TC	SC	WF	WPD	TC	SC	WF	WPD	TC	SC	WF	WPD	TC	SC	WF	WPD	
			kW	kW	m <sup>3</sup> /h	kPa	kW	kW	m <sup>3</sup> /h	kPa	kW	kW	m <sup>3</sup> /h	kPa	kW	kW	m <sup>3</sup> /h	kPa	kW	kW	m <sup>3</sup> /h	kPa	
11	3	15	1.91	1.91	0.55	3.69	2.75	2.75	0.79	10.59	3.46	3.46	0.99	16.14	4.13	4.13	1.18	21.8	4.79	4.79	1.37	28.02	
		17	1.91	1.9	0.55	3.7	2.76	2.76	0.79	10.61	3.46	3.46	0.99	16.17	4.13	4.13	1.18	21.84	4.79	4.79	1.37	28.06	
		19	4.14	2.52	0.99	16.07	5.11	3.5	0.99	32.8	4.05	3.19	1.16	21.12	4.25	3.98	1.22	22.88	4.8	4.8	1.37	28.11	
		20	-	-	-	-	4.66	2.93	0.99	15.95	5.55	3.67	0.99	32.38	5.4	4.2	0.99	31.58	5.33	4.79	0.99	31.23	
	4	15	1.45	1.45	0.31	2.07	1.89	1.89	0.41	2.69	2.91	2.91	0.62	5.09	3.66	3.66	0.79	10.56	4.36	4.36	0.94	14.64	
		17	1.45	1.45	0.31	2.07	1.89	1.89	0.41	2.69	2.91	2.91	0.63	5.11	3.67	3.67	0.79	10.59	4.36	4.36	0.94	14.66	
		19	1.99	1.78	0.99	2.82	1.92	1.9	0.41	2.74	2.94	2.84	0.99	5.28	3.67	3.67	0.79	10.61	4.37	4.37	0.94	14.69	
		20	-	-	-	-	5.1	3.4	0.99	18.67	4.52	3.51	0.99	15.54	4.01	3.63	0.99	12.15	4.41	4.27	0.95	14.93	
	5	15	1.27	1.27	0.22	1.42	1.7	1.7	0.29	1.91	2.14	2.14	0.37	2.41	2.72	2.72	0.47	3.06	3.84	3.84	0.66	6.33	
		17	1.27	1.27	0.22	1.42	1.7	1.7	0.29	1.91	2.14	2.14	0.37	2.41	2.72	2.72	0.47	3.06	3.84	3.84	0.66	6.35	
		19	4.3	2.9	0.99	16.3	1.71	1.69	0.29	1.92	2.14	2.14	0.37	2.41	2.72	2.72	0.47	3.07	3.84	3.84	0.66	6.37	
		20	-	-	-	-	2.98	2.19	0.99	3.83	2.15	2.13	0.37	2.41	2.73	2.73	0.47	3.07	3.85	3.85	0.66	6.38	
	6	15	1.09	1.09	0.16	1	1.52	1.52	0.22	1.4	1.95	1.95	0.28	1.8	2.39	2.39	0.34	2.21	2.83	2.83	0.41	2.62	
		17	1.09	1.09	0.16	1	1.52	1.52	0.22	1.4	1.95	1.95	0.28	1.8	2.39	2.39	0.34	2.21	2.84	2.84	0.41	2.62	
		19	1.17	1.04	0.17	1.07	1.52	1.52	0.22	1.4	1.95	1.95	0.28	1.81	2.4	2.4	0.34	2.21	2.84	2.84	0.41	2.63	
		20	-	-	-	-	1.62	1.53	0.23	1.49	1.96	1.96	0.28	1.81	2.4	2.4	0.34	2.22	2.84	2.84	0.41	2.63	
	13	3	15	1.2	1.2	0.35	2.2	2.03	2.03	0.58	4.22	2.79	2.79	0.8	10.95	3.48	3.48	1	16.09	4.15	4.15	1.19	21.64
			17	1.2	1.2	0.35	2.2	2.03	2.03	0.58	4.23	2.79	2.79	0.8	10.97	3.48	3.48	1	16.11	4.15	4.15	1.19	21.67
			19	1.81	1.33	0.99	3.32	2.13	1.95	0.61	5.01	2.8	2.78	0.8	11	3.49	3.49	1	16.14	4.15	4.15	1.19	21.71
			20	-	-	-	-	3.32	1.99	0.95	14.87	3.29	2.58	0.94	14.61	3.58	3.36	1.03	16.88	4.16	4.16	1.19	21.73
4		15	1.01	1.01	0.22	1.37	1.45	1.45	0.31	1.96	1.91	1.91	0.41	2.58	2.98	2.98	0.64	6.09	3.71	3.71	0.8	10.87	
		17	1.01	1.01	0.22	1.37	1.45	1.45	0.31	1.97	1.91	1.91	0.41	2.58	2.98	2.98	0.64	6.11	3.71	3.71	0.8	10.89	
		19	1.06	0.97	0.99	1.43	1.46	1.46	0.31	1.97	1.91	1.91	0.41	2.58	2.99	2.99	0.64	6.13	3.72	3.72	0.8	10.91	
		20	-	-	-	-	1.52	1.49	0.99	2.05	1.91	1.91	0.41	2.58	2.99	2.99	0.64	6.14	3.72	3.72	0.8	10.92	
5		15	0.84	0.84	0.14	0.89	1.27	1.27	0.22	1.35	1.7	1.7	0.29	1.82	2.14	2.14	0.37	2.28	3.09	3.09	0.53	3.43	
		17	0.84	0.84	0.14	0.89	1.27	1.27	0.22	1.35	1.7	1.7	0.29	1.82	2.14	2.14	0.37	2.28	3.09	3.09	0.53	3.44	
		19	0.85	0.83	0.99	0.9	1.27	1.27	0.22	1.35	1.71	1.71	0.29	1.82	2.14	2.14	0.37	2.28	3.1	3.1	0.53	3.45	
		20	-	-	-	-	1.29	1.27	0.22	1.37	1.71	1.71	0.29	1.82	2.14	2.14	0.37	2.28	3.1	3.1	0.53	3.46	
6		15	0.68	0.68	0.1	0.6	1.09	1.09	0.16	0.95	1.52	1.52	0.22	1.33	1.95	1.95	0.28	1.71	2.39	2.39	0.34	2.1	
		17	0.68	0.68	0.1	0.6	1.09	1.09	0.16	0.95	1.52	1.52	0.22	1.33	1.95	1.95	0.28	1.71	2.39	2.39	0.34	2.1	
		19	0.68	0.68	0.99	0.6	1.09	1.09	0.16	0.95	1.52	1.52	0.22	1.33	1.96	1.96	0.28	1.71	2.39	2.39	0.34	2.1	
		20	-	-	-	-	1.09	1.08	0.16	0.95	1.52	1.52	0.22	1.33	1.96	1.96	0.28	1.71	2.39	2.39	0.34	2.1	
15		3	15	0.76	0.76	0.22	1.32	1.2	1.2	0.34	2.08	2.08	2.08	0.6	5.04	2.82	2.82	0.81	11.05	3.5	3.5	1	15.98
			17	0.76	0.76	0.22	1.32	1.2	1.2	0.34	2.08	2.09	2.09	0.6	5.06	2.82	2.82	0.81	11.07	3.5	3.5	1.01	16.01
			19	0.76	0.76	0.22	1.32	1.2	1.2	0.35	2.08	2.09	2.09	0.6	5.08	2.82	2.82	0.81	11.09	3.51	3.51	1.01	16.03
			20	-	-	-	-	1.2	1.2	0.35	2.08	2.09	2.09	0.6	5.09	2.82	2.82	0.81	11.1	3.51	3.51	1.01	16.05
	4	15	0.58	0.58	0.13	0.75	1.01	1.01	0.22	1.3	1.45	1.45	0.31	1.86	2	2	0.43	2.57	3.03	3.03	0.65	6.89	
		17	0.58	0.58	0.13	0.75	1.02	1.02	0.22	1.3	1.45	1.45	0.31	1.87	2.01	2.01	0.43	2.58	3.04	3.04	0.65	6.91	
		19	0.58	0.58	0.13	0.75	1.02	1.02	0.22	1.3	1.46	1.46	0.31	1.87	2.01	2.01	0.43	2.58	3.04	3.04	0.65	6.94	
		20	-	-	-	-	1.02	1.02	0.22	1.3	1.46	1.46	0.31	1.87	2.01	2.01	0.43	2.59	3.04	3.04	0.65	6.95	
	5	15	0.51	0.51	0.99	0.58	0.84	0.84	0.14	0.84	1.27	1.27	0.22	1.28	1.7	1.7	0.29	1.72	2.14	2.14	0.37	2.17	
		17	0.51	0.51	0.99	0.58	0.84	0.84	0.14	0.84	1.27	1.27	0.22	1.28	1.71	1.71	0.29	1.73	2.14	2.14	0.37	2.17	
		19	0.51	0.51	0.99	0.58	0.84	0.84	0.14	0.84	1.27	1.27	0.22	1.28	1.71	1.71	0.29	1.73	2.14	2.14	0.37	2.17	
		20	-	-	-	-	0.84	0.84	0.14	0.84	1.27	1.27	0.22	1.28	1.71	1.71	0.29	1.73	2.14	2.14	0.37	2.17	
	6	15	-	-	-	-	0.68	0.68	0.1	0.57	1.09	1.09	0.16	0.9	1.52	1.52	0.22	1.26	1.95	1.95	0.28	1.63	
		17	-	-	-	-	0.68	0.68	0.1	0.57	1.09	1.09	0.16	0.9	1.52	1.52	0.22	1.26	1.96	1.96	0.28	1.63	
		19	-	-	-	-	0.68	0.68	0.1	0.57	1.09	1.09	0.16	0.9	1.52	1.52	0.22	1.26	1.96	1.96	0.28	1.63	
		20	-	-	-	-	0.68	0.68	0.1	0.57	1.09	1.09	0.16	0.9	1.52	1.52	0.22	1.26	1.96	1.96	0.28	1.63	

**Prescurtari:**

EWT: Temperatura de intrare apa (°C)

WB: Temperatura cu bulb umed (°C)

Δt: Diferenta de temperatura (°C)

TC: Capacitatea totala de racire (°C)

DB: Temperatura cu bulb uscat (°C)

SC: Capacitatea de racire sensibila (kW)

WF: Debitul de apa (m<sup>3</sup>/h)

WPD: Pierdere de presiune a apei (kPa)

MKA-V950F																						
EWT	ΔT	Temperatura interna (D.B.)																				
		21				23				25				27				29				
		TC	SC	WF	WPD	TC	SC	WF	WPD	TC	SC	WF	WPD	TC	SC	WF	WPD	TC	SC	WF	WPD	
°C	°C	°C	kW	kW	m³/h	kPa	kW	kW	m³/h	kPa	kW	kW	m³/h	kPa	kW	kW	m³/h	kPa	kW	kW	m³/h	kPa
5	3	15	6.16	4.79	1.04	40.57	6	5.54	1.04	37.51	5.88	5.88	1.68	37.39	6.58	6.58	1.88	45.3	7.27	7.27	2.07	53.75
		17	6.05	4.02	1.04	16.37	7.42	4.82	2.12	55.64	7.38	5.45	2.11	55.17	7.32	6.06	1.04	53.4	7.42	6.93	2.12	55.67
		19	9.67	4.25	2.76	87.61	9.63	4.89	2.74	86.91	9.58	5.53	2.73	86.22	7.01	5.44	1.04	16.41	9.49	6.78	2.71	84.86
		20	-	-	-	-	10.79	4.93	3.08	105.75	10.74	5.57	3.08	104.93	10.69	6.21	3.05	104.13	10.64	6.83	3.03	103.33
	4	15	4.23	3.82	1.04	11.74	4.68	4.57	1	15.47	5.41	5.41	1.16	19.98	6.13	6.13	1.32	24.69	6.84	6.84	1.47	29.69
		17	6.05	4.02	1.04	16.37	6.66	4.66	1.04	28.23	6.99	5.6	1.04	31.08	6.77	6.18	1.04	28.91	6.86	6.76	1.47	29.81
		19	8.67	3.82	1.86	44.37	8.62	4.46	1.85	44	8.58	5.1	1.84	43.62	7.01	5.44	1.04	16.41	8.5	6.35	1.82	42.89
		20	-	-	-	-	9.8	4.51	2.1	54.76	9.76	5.15	2.09	54.32	9.71	5.78	2.08	53.88	9.66	6.41	2.07	53.44
	5	15	2.84	2.84	0.49	3.41	3.99	3.99	0.68	5.17	4.86	4.86	0.83	9.87	5.63	5.63	0.97	14.33	6.37	6.37	1.09	17.93
		17	6.07	4.08	1.04	16.45	6.02	4.8	1.03	16.21	5.08	4.58	0.87	11.32	5.65	5.51	0.97	14.45	6.37	6.37	1.09	17.96
		19	7.53	3.35	1.29	23.8	7.48	3.99	1.28	23.57	7.44	4.63	1.28	23.34	7.67	5.51	1.04	24.48	7.91	6.44	1.04	25.78
		20	-	-	-	-	8.71	4.06	1.49	30.49	8.67	4.7	1.49	30.22	8.62	5.33	1.48	29.95	8.58	5.95	1.47	29.69
6	15	2.63	2.63	0.38	2.58	3.1	3.1	0.44	3.05	3.71	3.71	0.53	3.66	4.99	4.99	0.71	5.95	5.82	5.82	0.83	9.96	
	17	4.67	3.91	1.04	5.21	4.42	4.07	1.04	5.13	3.71	3.71	0.53	3.66	5	5	0.71	5.97	5.82	5.82	0.83	9.99	
	19	6.32	2.87	1.04	13.16	6.88	4.21	1.04	13.86	6.93	4.83	1.04	15.02	6.34	5.31	1.04	11.43	6.1	5.58	1.04	10.9	
	20	-	-	-	-	7.42	3.54	1.06	16.98	7.38	4.18	1.05	16.79	7.66	5.07	1.1	17.93	8.01	6.11	1.04	19.31	
7	3	15	3.87	3.54	1.11	18.23	4.47	4.47	1.28	23.3	5.19	5.19	1.49	29.95	5.9	5.9	1.69	37.18	6.59	6.59	1.89	44.99
		17	5.89	3.51	1.89	37.16	6.15	4.4	1.04	39.64	6.26	5.16	1.04	42.03	6.11	5.78	1.04	39.53	6.6	6.6	1.89	45.06
		19	8.12	3.59	2.33	64.31	8.08	4.23	2.31	63.75	8.04	4.87	2.3	63.19	8	5.5	2.29	62.65	6.09	5.65	1.04	16.2
		20	-	-	-	-	9.25	4.27	2.65	80.38	9.2	4.92	2.64	79.71	9.16	5.55	2.62	79.04	9.12	6.17	2.61	78.38
	4	15	3.12	3.12	0.87	5	3.96	3.96	0.85	10.93	4.72	4.72	1.01	15.57	5.45	5.45	1.17	19.9	6.16	6.16	1.32	24.5
		17	5.67	3.98	1.22	21.29	4.98	4.03	1.04	16.67	4.86	4.5	1.04	16.35	5.46	5.42	1.04	19.94	6.17	6.17	1.33	24.54
		19	7.04	3.15	1.51	30.67	7	3.8	1.5	30.38	6.96	4.43	1.49	30.08	7.12	5.25	1.04	30.89	6.09	5.65	1.04	16.2
		20	-	-	-	-	8.2	3.85	1.76	39.73	8.15	4.49	1.75	39.37	8.11	5.12	1.74	39.02	8.07	5.74	1.73	38.67
	5	15	2.35	2.35	0.4	2.66	2.9	2.9	0.5	3.29	4.13	4.13	0.71	6.2	4.94	4.94	0.85	10.91	5.69	5.69	0.86	14.56
		17	3.51	3.07	1.04	4.17	3.69	3.49	1.04	4.98	4.14	4.14	0.71	6.22	4.94	4.94	0.85	10.94	5.7	5.7	0.98	14.59
		19	6.12	3.02	1.04	16.08	6.53	3.96	1.04	18.61	6.24	4.57	1.04	16.15	5.82	5.18	1.03	16.4	6.09	5.65	1.04	16.2
		20	-	-	-	-	7	3.38	1.2	20.72	6.96	4.02	1.2	20.51	7.31	5.08	1.04	21.3	7.49	5.85	1.29	23.24
6	15	2.14	2.14	0.31	1.99	2.63	2.63	0.38	2.44	3.1	3.1	0.44	2.89	4.15	4.15	0.59	3.94	5.12	5.12	0.73	7.13	
	17	2.18	2.08	1.04	2.03	2.63	2.63	0.38	2.44	3.1	3.1	0.44	2.89	4.16	4.16	0.6	3.95	5.13	5.13	0.73	7.16	
	19	4.49	2.81	1.04	4.59	4.12	3.26	1.04	3.89	6.25	4.61	1.04	16.19	4.29	4.22	1.04	4.2	5.13	5.1	0.74	7.18	
	20	-	-	-	-	6.01	3.78	1.04	9.44	6.3	4.23	1.04	12.34	3.79	3.61	1.04	3.4	5.92	5.29	1.04	10.95	
9	3	15	3.02	3.02	0.86	11.49	3.77	3.77	1.08	17.1	4.5	4.5	1.29	23.01	5.21	5.21	1.49	29.51	5.91	5.91	1.69	36.59
		17	3.92	2.72	1.04	16.46	4.14	3.49	1.18	20.03	4.53	4.39	1.3	23.31	5.21	5.21	1.49	29.56	5.91	5.91	1.69	36.65
		19	6.45	2.92	1.84	42.48	6.41	3.58	1.83	42.05	6.37	4.2	1.82	41.63	6.34	4.83	1.04	41.41	6.38	5.53	1.04	43.3
		20	-	-	-	-	7.58	3.6	2.17	56.11	7.54	4.24	2.16	55.58	7.5	4.88	2.15	55.07	7.46	5.5	2.13	54.55
	4	15	2.08	2.08	0.45	2.82	3.21	3.21	0.69	5.97	4.01	4.01	0.86	11.42	4.76	4.76	1.02	15.51	5.48	5.48	1.18	19.7
		17	2.45	2.29	1.04	3.47	3.22	3.15	1.04	6.07	4.02	4.02	0.86	11.44	4.76	4.76	1.02	15.54	5.49	5.49	1.18	19.73
		19	5.63	2.83	1.04	20.11	6.26	4.04	1.04	24.34	5.83	4.26	1.04	22.83	5.01	4.4	1.04	15.83	5.57	5.31	1.19	20.21
		20	-	-	-	-	6.44	3.17	1.38	25.88	6.4	3.81	1.37	25.61	6.91	4.9	1.48	29.2	6.7	5.46	1.44	27.69
	5	15	1.87	1.87	0.32	2	2.35	2.35	0.4	2.51	3.23	3.23	0.56	3.48	4.22	4.22	0.73	7.31	5	5	0.86	11.36
		17	1.87	1.86	0.32	2	2.35	2.35	0.4	2.51	3.24	3.24	0.56	3.49	4.23	4.23	0.73	7.33	5.01	5.01	0.86	11.38
		19	5.11	3.28	1.04	12.01	3.94	2.97	1.04	5.89	5.41	4.48	1.04	15.91	4.66	4.28	1.04	11.99	5.01	5.01	0.86	11.4
		20	-	-	-	-	6.25	3.67	1.04	16.84	5.88	4.09	1.04	15.16	5.85	4.88	1	14.97	5.23	4.76	0.9	12.37
6	15	1.67	1.67	0.24	1.46	2.15	2.15	0.31	1.88	2.62	2.62	0.38	2.3	3.14	3.14	0.45	2.76	4.39	4.39	0.63	4.56	
	17	1.67	1.67	0.24	1.46	2.15	2.15	0.31	1.88	2.62	2.62	0.38	2.31	3.14	3.14	0.45	2.77	4.4	4.4	0.63	4.57	
	19	2.19	1.71	1.04	1.91	2.22	2.11	0.32	1.95	2.63	2.63	0.38	2.31	3.15	3.15	0.45	2.77	4.4	4.4	0.63	4.59	
	20	-	-	-	-	3.4	2.47	1.04	3.25	4.44	4.1	1.04	4.77	3.15	3.15	0.45	2.77	4.4	4.38	0.63	4.59	

MKA-V950F																						
EWT	ΔT	Temp interna (W.B.)	Temperatura interna (D.B.)																			
			21				23				25				27				29			
			TC	SC	WF	WPD	TC	SC	WF	WPD	TC	SC	WF	WPD	TC	SC	WF	WPD	TC	SC	WF	WPD
°C	°C	°C	kW	kW	m³/h	kPa	kW	kW	m³/h	kPa	kW	kW	m³/h	kPa	kW	kW	m³/h	kPa	kW	kW	m³/h	kPa
11	3	15	2.25	2.25	0.64	5	3.05	3.05	0.87	11.73	3.79	3.79	1.09	17.02	4.51	4.51	1.29	22.83	5.22	5.22	1.5	29.21
		17	2.32	2.16	0.66	5.57	3.06	3.06	0.88	11.75	3.8	3.8	1.09	17.05	4.52	4.52	1.29	22.87	5.22	5.22	1.5	29.26
		19	5.03	2.61	1.04	27.14	5.22	3.49	1.49	29.2	5.02	3.96	1.04	27.54	4.69	4.3	1.34	24.36	5.23	5.2	1.5	29.32
		20	-	-	-	-	5.78	2.92	1.66	34.8	5.75	3.56	1.65	34.41	5.91	4.38	1.04	35.56	5.72	5.02	1.04	32.01
	4	15	1.6	1.6	0.34	2.05	2.14	2.14	0.46	2.75	3.28	3.28	0.71	7.04	4.06	4.06	0.87	11.63	4.79	4.79	1.03	15.48
		17	1.6	1.6	0.34	2.05	2.15	2.15	0.46	2.76	3.29	3.29	0.71	7.06	4.06	4.06	0.87	11.65	4.8	4.8	1.03	15.5
		19	2.86	1.6	0.61	4.32	2.9	2.36	1.04	4.46	3.5	3.29	1.04	8.49	4.07	4.02	0.87	11.69	4.8	4.8	1.03	15.53
		20	-	-	-	-	5.58	3.38	1.04	20.21	5.22	3.89	1.12	17.88	4.54	3.89	1.04	14.1	4.89	4.64	1.05	16
	5	15	1.39	1.39	0.24	1.41	1.87	1.87	0.32	1.89	2.34	2.34	0.4	2.37	3.46	3.46	0.6	4	4.3	4.3	0.74	8.17
		17	1.39	1.39	0.24	1.41	1.87	1.87	0.32	1.89	2.35	2.35	0.4	2.38	3.47	3.47	0.6	4.01	4.3	4.3	0.74	8.19
		19	1.66	1.48	1.04	1.67	1.88	1.88	0.32	1.91	2.35	2.35	0.4	2.38	3.47	3.47	0.6	4.03	4.31	4.31	0.74	8.22
		20	-	-	-	-	2.13	1.95	1.04	2.15	2.35	2.32	0.4	2.38	3.5	3.46	0.6	4.14	4.31	4.31	0.74	8.23
6	15	1.2	1.2	0.17	0.99	1.67	1.67	0.24	1.39	2.15	2.15	0.31	1.79	2.62	2.62	0.38	2.18	3.34	3.34	0.48	2.79	
	17	1.2	1.2	0.17	0.99	1.67	1.67	0.24	1.39	2.15	2.15	0.31	1.79	2.62	2.62	0.38	2.18	3.35	3.35	0.48	2.79	
	19	1.31	1.18	1.04	1.08	1.67	1.67	0.24	1.39	2.15	2.15	0.31	1.79	2.62	2.62	0.38	2.18	3.36	3.36	0.48	2.8	
	20	-	-	-	-	1.8	1.69	0.26	1.49	2.15	2.15	0.31	1.79	2.62	2.62	0.38	2.18	3.36	3.36	0.48	2.8	
13	3	15	1.31	1.31	0.38	2.16	2.3	2.3	0.66	5.97	3.08	3.08	0.88	11.79	3.81	3.81	1.09	16.92	4.53	4.53	1.3	22.62
		17	1.31	1.31	0.38	2.16	2.3	2.3	0.66	5.99	3.08	3.08	0.89	11.81	3.82	3.82	1.1	16.95	4.53	4.53	1.3	22.65
		19	2.39	1.44	0.69	6.8	2.51	2.17	0.72	7.83	3.1	3.02	0.89	11.92	3.82	3.82	1.1	16.97	4.54	4.54	1.3	22.69
		20	-	-	-	-	4.44	2.98	1.04	20.2	3.75	2.85	1.07	16.4	3.97	3.65	1.14	18.08	4.54	4.51	1.3	22.72
	4	15	1.12	1.12	0.24	1.36	1.6	1.6	0.34	1.94	2.45	2.45	0.53	3.03	3.34	3.34	0.72	7.78	4.09	4.09	0.88	11.87
		17	1.12	1.12	0.24	1.36	1.6	1.6	0.34	1.94	2.45	2.45	0.53	3.04	3.34	3.34	0.72	7.8	4.1	4.1	0.88	11.89
		19	1.19	1.12	0.26	1.44	1.6	1.6	0.34	1.94	2.46	2.46	0.53	3.05	3.34	3.34	0.72	7.82	4.1	4.1	0.88	11.72
		20	-	-	-	-	1.66	1.59	0.36	2.02	2.48	2.43	0.53	3.1	3.34	3.33	0.72	7.83	4.11	4.11	0.88	11.73
	5	15	0.92	0.92	0.16	0.88	1.39	1.39	0.24	1.34	1.87	1.87	0.32	1.8	2.37	2.37	0.41	2.28	3.56	3.56	0.61	4.76
		17	0.92	0.92	0.16	0.88	1.39	1.39	0.24	1.34	1.87	1.87	0.32	1.8	2.37	2.37	0.41	2.28	3.56	3.56	0.61	4.78
		19	0.94	0.91	0.16	0.9	1.4	1.4	0.24	1.34	1.87	1.87	0.32	1.8	2.38	2.38	0.41	2.28	3.57	3.57	0.61	4.8
		20	-	-	-	-	1.42	1.41	0.24	1.36	1.88	1.88	0.32	1.8	2.38	2.38	0.41	2.28	3.57	3.57	0.61	4.81
6	15	0.73	0.73	0.1	0.57	1.2	1.2	0.17	0.94	1.67	1.67	0.24	1.32	2.15	2.15	0.31	1.69	2.62	2.62	0.38	2.07	
	17	0.73	0.73	0.1	0.57	1.2	1.2	0.17	0.94	1.67	1.67	0.24	1.32	2.15	2.15	0.31	1.7	2.62	2.62	0.38	2.07	
	19	0.73	0.71	0.1	0.57	1.2	1.2	0.17	0.94	1.67	1.67	0.24	1.32	2.15	2.15	0.31	1.7	2.62	2.62	0.38	2.07	
	20	-	-	-	-	1.2	1.18	0.17	0.95	1.67	1.67	0.24	1.32	2.15	2.15	0.31	1.7	2.62	2.62	0.38	2.07	
15	3	15	0.84	0.84	0.24	1.31	1.31	1.31	0.38	2.05	2.34	2.34	0.67	6.71	3.1	3.1	0.89	11.76	3.83	3.83	1.1	16.77
		17	0.84	0.84	0.24	1.31	1.31	1.31	0.38	2.05	2.34	2.34	0.67	6.73	3.11	3.11	0.89	11.78	3.83	3.83	1.1	16.8
		19	0.84	0.83	0.24	1.31	1.32	1.32	0.38	2.05	2.35	2.35	0.67	6.75	3.11	3.11	0.89	11.8	3.84	3.84	1.1	16.83
		20	-	-	-	-	1.84	1.77	1.04	3.38	2.35	2.34	0.67	6.75	3.11	3.11	0.89	11.81	3.84	3.84	1.1	16.84
	4	15	0.64	0.64	0.14	0.74	1.12	1.12	0.24	1.29	1.59	1.59	0.34	1.84	2.56	2.56	0.55	3.45	3.38	3.38	0.73	8.13
		17	0.64	0.64	0.14	0.74	1.12	1.12	0.24	1.29	1.59	1.59	0.34	1.84	2.56	2.56	0.55	3.46	3.38	3.38	0.73	8.14
		19	0.64	0.64	0.14	0.74	1.12	1.12	0.24	1.29	1.59	1.59	0.34	1.84	2.56	2.56	0.55	3.47	3.39	3.39	0.73	8.16
		20	-	-	-	-	1.12	1.12	0.24	1.29	1.59	1.59	0.34	1.84	2.57	2.57	0.55	3.48	3.39	3.39	0.73	8.17
	5	15	0.55	0.55	1.04	0.55	0.92	0.92	0.16	0.84	1.39	1.39	0.24	1.27	1.87	1.87	0.32	1.7	2.5	2.5	0.43	2.28
		17	0.55	0.55	1.04	0.55	0.92	0.92	0.16	0.84	1.39	1.39	0.24	1.27	1.87	1.87	0.32	1.71	2.51	2.51	0.43	2.29
		19	0.55	0.55	1.04	0.55	0.92	0.92	0.16	0.84	1.4	1.4	0.24	1.27	1.87	1.87	0.32	1.71	2.51	2.51	0.43	2.29
		20	-	-	-	-	0.92	0.92	0.16	0.84	1.4	1.4	0.24	1.27	1.87	1.87	0.32	1.71	2.51	2.51	0.43	2.3
6	15	-	-	-	-	0.73	0.73	0.1	0.54	1.2	1.2	0.17	0.9	1.67	1.67	0.24	1.25	2.15	2.15	0.31	1.61	
	17	-	-	-	-	0.73	0.73	0.1	0.54	1.2	1.2	0.17	0.9	1.67	1.67	0.24	1.25	2.15	2.15	0.31	1.61	
	19	-	-	-	-	0.73	0.73	0.1	0.54	1.2	1.2	0.17	0.9	1.67	1.67	0.24	1.25	2.15	2.15	0.31	1.61	
	20	-	-	-	-	0.73	0.73	0.1	0.54	1.2	1.2	0.17	0.9	1.67	1.67	0.24	1.25	2.15	2.15	0.31	1.61	

**Prescurtari:**

EWT: Temperatura de intrare apa (°C)  
 WB: Temperatura cu bulb umed (°C)  
 Δt: Diferenta de temperatura (°C)  
 TC: Capacitatea totala de racire (°C)

DB: Temperatura cu bulb uscat (°C)  
 SC: Capacitatea de racire sensibila (kW)  
 WF: Debitul de apa (m3/h)  
 WPD: Pierderea de presiune a apei (kPa)











## Tabel capacitate de incalzire

MKA-V600F													
EWT	$\Delta T$	Temperatura interna (D.B.)											
		16			18			20			22		
		TH	WF	WPD	TH	WF	WPD	TH	WF	WPD	TH	WF	WPD
[°C]	[°C]	[kW]	[m <sup>3</sup> /h]	[kPa]	[kW]	[m <sup>3</sup> /h]	[kPa]	[kW]	[m <sup>3</sup> /h]	[kPa]	[kW]	[m <sup>3</sup> /h]	[kPa]
40	5	3.92	0.68	30.83	3.52	0.61	25.57	3.12	0.54	20.75	2.72	0.47	16.37
	8	3.4	0.37	10.8	3	0.32	8.69	2.59	0.28	6.76	2.17	0.23	5.03
	10	3.02	0.26	6.08	2.6	0.23	4.72	2.17	0.19	3.47	1.71	0.15	2.08
	12	2.59	0.19	3.46	2.13	0.15	2.25	1.5	0.99	0.91	1.27	0.99	0.83
	15	1.6	0.1	0.83	1.49	0.99	0.82	1.36	0.1	0.81	1.23	0.99	0.8
45	5	4.93	0.86	44.9	4.53	0.79	38.7	4.13	0.72	32.93	3.73	0.65	27.57
	8	4.43	0.48	16.59	4.03	0.44	14.07	3.62	0.39	11.74	3.22	0.35	9.58
	10	4.08	0.35	9.87	3.68	0.32	8.25	3.27	0.28	6.74	2.85	0.25	5.36
	12	3.71	0.27	6.19	3.3	0.24	5.06	2.88	0.21	4.01	2.44	0.18	3.04
	15	3.09	0.18	3.12	2.62	0.15	2.25	2.1	0.12	1.15	1.62	0.1	0.76
50	5	5.94	1.03	60.91	5.54	0.96	53.83	5.13	0.89	47.15	4.73	0.82	40.88
	8	5.45	0.59	23.21	5.05	0.55	20.31	4.64	0.5	17.58	4.24	0.46	15.03
	10	5.12	0.44	14.2	4.71	0.41	12.32	4.31	0.37	10.56	3.9	0.34	8.91
	12	4.77	0.35	9.25	4.37	0.32	7.94	3.96	0.29	6.71	3.54	0.26	5.57
	15	4.22	0.24	5.18	3.8	0.22	4.33	3.38	0.2	3.55	2.94	0.17	2.81
55	5	6.94	1.21	78.71	6.54	1.14	70.79	6.13	1.07	63.27	5.73	1	56.14
	8	6.46	0.7	30.6	6.06	0.66	27.34	5.66	0.62	24.24	5.25	0.57	21.32
	10	6.14	0.53	19.05	5.74	0.5	16.93	5.33	0.46	14.92	4.93	0.43	13.02
	12	5.81	0.42	12.68	5.4	0.39	11.19	5	0.36	9.79	4.59	0.33	8.46
	15	5.3	0.31	7.42	4.88	0.28	6.47	4.47	0.26	5.56	4.08	0.23	4.72
60	5	7.95	1.39	98.22	7.54	1.32	89.5	7.13	1.25	81.16	6.73	1.17	73.21
	8	7.47	0.81	38.72	7.07	0.77	35.11	6.66	0.73	31.67	6.26	0.68	28.39
	10	7.16	0.62	24.39	6.75	0.59	22.03	6.35	0.55	19.78	5.94	0.52	17.65
	12	6.84	0.5	16.46	6.43	0.47	14.8	6.02	0.44	13.23	5.62	0.41	11.73
	15	6.34	0.37	9.89	5.93	0.34	8.82	5.53	0.32	7.81	5.12	0.3	6.85
65	5	8.95	1.57	119.37	8.54	1.49	109.88	8.13	1.42	100.76	7.73	1.35	92.02
	8	8.48	0.93	47.53	8.07	0.88	43.59	7.67	0.84	39.81	7.26	0.79	36.2
	10	8.17	0.71	30.18	7.76	0.68	27.61	7.38	0.61	25.3	6.95	0.61	22.77
	12	7.85	0.57	20.57	7.45	0.54	18.75	7.04	0.51	17.01	6.64	0.48	15.35
	15	7.37	0.43	12.58	6.97	0.4	11.41	6.56	0.38	10.28	6.15	0.36	9.21

### Prescurtari:

$\Delta t$ : Diferenta de temperatura (°C)

TH: Capacitatea totala de incalzire (°C)

WF: Debitul de apa (m<sup>3</sup>/h)

WPD: Pierderea de presiune a apei (kPa)

MKA-V750F													
EWT	$\Delta T$	Temperatura interna (D.B.)											
		16			18			20			22		
		TH	WF	WPD	TH	WF	WPD	TH	WF	WPD	TH	WF	WPD
[°C]	[°C]	[kW]	[m <sup>3</sup> /h]	[kPa]	[kW]	[m <sup>3</sup> /h]	[kPa]	[kW]	[m <sup>3</sup> /h]	[kPa]	[kW]	[m <sup>3</sup> /h]	[kPa]
40	5	4.07	0.7	38.83	3.65	0.63	32.2	3.23	0.56	26.12	2.82	0.49	20.61
	8	3.52	0.38	13.57	3.1	0.34	10.92	2.68	0.29	8.5	2.25	0.24	6.32
	10	3.13	0.27	7.63	2.7	0.23	5.93	2.25	0.19	4.37	1.77	0.15	2.73
	12	2.69	0.19	4.36	2.21	0.16	2.95	1.54	1.04	1.1	1.34	1.04	1.03
	15	1.7	0.1	1.03	1.58	1.04	1.03	1.45	0.1	1.02	1.3	1.04	0.99
45	5	5.11	0.89	56.59	4.7	0.82	48.78	4.28	0.74	41.5	3.86	0.67	34.75
	8	4.59	0.5	20.87	4.17	0.45	17.71	3.75	0.41	14.76	3.34	0.36	12.05
	10	4.23	0.37	12.41	3.81	0.33	10.37	3.38	0.29	8.48	2.96	0.26	6.74
	12	3.85	0.28	7.77	3.41	0.25	6.35	2.98	0.21	5.04	2.53	0.18	3.83
	15	3.2	0.18	3.93	2.72	0.16	2.9	2.19	0.13	1.57	1.72	0.1	0.97
50	5	6.15	1.07	76.8	5.74	1	67.88	5.32	0.93	59.47	4.9	0.85	51.56
	8	5.65	0.61	29.22	5.23	0.57	25.57	4.81	0.52	22.14	4.39	0.48	18.93
	10	5.3	0.46	17.87	4.88	0.42	15.5	4.46	0.39	13.28	4.04	0.35	11.21
	12	4.94	0.36	11.63	4.52	0.33	9.98	4.1	0.3	8.44	3.67	0.27	7
	15	4.37	0.25	6.5	3.94	0.23	5.44	3.5	0.2	4.46	3.05	0.18	3.53
55	5	7.2	1.25	99.3	6.78	1.18	89.32	6.36	1.11	79.84	5.94	1.04	70.85
	8	6.7	0.73	38.55	6.28	0.68	34.45	5.86	0.64	30.55	5.44	0.59	26.87
	10	6.36	0.55	23.99	5.94	0.52	21.31	5.52	0.48	18.78	5.1	0.44	16.39
	12	6.02	0.44	15.96	5.6	0.41	14.08	5.18	0.37	12.31	4.76	0.34	10.65
	15	5.48	0.32	9.33	5.06	0.29	8.13	4.63	0.27	6.99	4.2	0.24	5.93
60	5	8.24	1.44	123.96	7.82	1.36	112.97	7.4	1.29	102.46	6.98	1.22	92.44
	8	7.74	0.84	48.81	7.32	0.8	44.26	6.91	0.75	39.93	6.49	0.71	35.8
	10	7.41	0.65	30.72	6.99	0.61	27.75	6.58	0.57	24.92	6.16	0.54	22.23
	12	7.08	0.51	20.72	6.66	0.48	18.64	6.24	0.45	16.65	5.82	0.42	14.76
	15	6.57	0.38	12.44	6.14	0.36	11.1	5.72	0.33	9.82	5.3	0.31	8.61
65	5	9.28	1.62	150.71	8.85	1.55	138.75	8.43	1.48	127.25	8.01	1.4	116.23
	8	8.79	0.96	59.94	8.37	0.91	54.98	7.95	0.87	50.22	7.53	0.82	45.66
	10	8.46	0.74	38.04	8.04	0.7	34.79	7.66	0.65	32	7.21	0.63	28.7
	12	8.14	0.59	25.91	7.72	0.56	23.62	7.3	0.53	21.43	6.88	0.5	19.33
	15	7.64	0.44	15.84	7.22	0.42	14.35	6.79	0.39	12.94	6.37	0.37	11.59

**Prescurtari:**

$\Delta t$ : Diferenta de temperatura (°C)

TH: Capacitatea totala de incalzire (°C)

WF: Debitul de apa (m<sup>3</sup>/h)

WPD: Pierderea de presiune a apei (kPa)

MKA-V850F													
EWT	$\Delta T$	Temperatura interna (D.B.)											
		16			18			20			22		
		TH	WF	WPD	TH	WF	WPD	TH	WF	WPD	TH	WF	WPD
[°C]	[°C]	[kW]	[m <sup>3</sup> /h]	[kPa]	[kW]	[m <sup>3</sup> /h]	[kPa]	[kW]	[m <sup>3</sup> /h]	[kPa]	[kW]	[m <sup>3</sup> /h]	[kPa]
40	5	4.36	0.76	40.09	3.91	0.68	33.27	3.47	0.6	27.01	3.03	0.52	21.34
	8	3.79	0.41	14.11	3.34	0.36	11.37	2.89	0.31	8.88	2.44	0.28	6.64
	10	3.39	0.29	8	2.93	0.25	6.24	2.46	0.21	4.65	1.97	0.17	3.14
	12	2.94	0.21	4.65	2.45	0.18	3.36	1.9	0.14	1.7	1.39	0.99	0.95
	15	1.68	0.99	0.9	1.55	0.1	0.89	1.42	0.99	0.89	1.28	0.99	0.87
45	5	5.47	0.95	58.35	5.03	0.87	50.31	4.58	0.8	42.81	4.14	0.72	35.87
	8	4.93	0.53	21.6	4.48	0.49	18.34	4.04	0.44	15.31	3.59	0.39	12.52
	10	4.55	0.39	12.89	4.1	0.36	10.79	3.65	0.32	8.84	3.2	0.28	7.05
	12	4.16	0.3	8.12	3.7	0.27	6.66	3.24	0.23	5.31	2.76	0.2	4.07
	15	3.5	0.2	4.19	3.01	0.17	3.23	2.48	0.14	2.09	1.73	0.99	0.86
50	5	6.58	1.15	79.13	6.14	1.07	69.95	5.69	0.99	61.29	5.25	0.91	53.15
	8	6.05	0.66	30.18	5.61	0.61	26.42	5.16	0.56	22.89	4.72	0.51	19.58
	10	5.69	0.49	18.5	5.24	0.46	16.06	4.8	0.42	13.78	4.35	0.38	11.64
	12	5.32	0.38	12.08	4.87	0.35	10.38	4.42	0.32	8.79	3.97	0.29	7.31
	15	4.73	0.27	6.8	4.27	0.25	5.71	3.8	0.22	4.7	3.33	0.19	3.75
55	5	7.69	1.34	102.26	7.25	1.26	91.99	6.8	1.18	82.23	6.35	1.11	72.98
	8	7.17	0.78	39.77	6.73	0.73	35.54	6.28	0.68	31.53	5.83	0.63	27.74
	10	6.82	0.59	24.79	6.37	0.55	22.03	5.93	0.52	19.42	5.48	0.48	16.96
	12	6.46	0.47	16.52	6.01	0.44	14.59	5.57	0.4	12.77	5.12	0.37	11.05
	15	5.91	0.34	9.7	5.45	0.32	8.46	5	0.29	7.29	4.54	0.26	6.19
60	5	8.8	1.54	127.62	8.35	1.46	116.31	7.91	1.38	105.5	7.46	1.3	95.18
	8	8.29	0.9	50.31	7.84	0.85	45.64	7.39	0.81	41.17	6.95	0.76	36.92
	10	7.94	0.69	31.71	7.49	0.65	28.65	7.05	0.61	25.74	6.6	0.58	22.97
	12	7.59	0.55	21.42	7.15	0.52	19.27	6.7	0.49	17.22	6.25	0.45	15.28
	15	7.06	0.41	12.9	6.61	0.38	11.51	6.16	0.36	10.19	5.71	0.33	8.95
65	5	9.91	1.73	155.14	9.46	1.66	142.82	9.01	1.58	130.99	8.56	1.5	119.64
	8	9.4	1.03	61.76	8.95	0.98	56.66	8.5	0.93	51.76	8.06	0.88	47.06
	10	9.06	0.79	39.23	8.61	0.75	35.89	8.15	0.67	32.6	7.72	0.67	29.62
	12	8.72	0.63	26.75	8.27	0.6	24.39	7.82	0.57	22.13	7.37	0.54	19.98
	15	8.2	0.48	16.38	7.75	0.45	14.85	7.3	0.42	13.39	6.85	0.4	12

### Prescurtari:

$\Delta t$ : Diferenta de temperatura (°C)

TH: Capacitatea totala de incalzire (°C)

WF: Debitul de apa (m<sup>3</sup>/h)

WPD: Pierderea de presiune a apei (kPa)

MKA-V950F													
EWT	$\Delta T$	Temperatura interna (D.B.)											
		16			18			20			22		
		TH	WF	WPD	TH	WF	WPD	TH	WF	WPD	TH	WF	WPD
[°C]	[°C]	[kW]	[m <sup>3</sup> /h]	[kPa]	[kW]	[m <sup>3</sup> /h]	[kPa]	[kW]	[m <sup>3</sup> /h]	[kPa]	[kW]	[m <sup>3</sup> /h]	[kPa]
40	5	4.57	0.79	42.03	4.11	0.71	34.88	3.64	0.63	28.34	3.18	0.55	22.39
	8	3.99	0.43	14.82	3.52	0.38	11.95	3.05	0.33	9.35	2.57	0.28	7
	10	3.57	0.31	8.42	3.09	0.27	6.59	2.6	0.22	4.92	2.09	0.18	3.39
	12	3.11	0.22	4.93	2.6	0.19	3.63	2.04	0.15	2.09	1.46	1.04	0.95
	15	1.92	1.04	1	1.66	0.1	0.91	1.53	1.04	0.9	1.38	1.04	0.89
45	5	5.74	1	61.16	5.27	0.92	52.74	4.81	0.84	44.89	4.35	0.75	37.61
	8	5.17	0.56	22.66	4.71	0.51	19.24	4.24	0.46	16.07	3.77	0.41	13.15
	10	4.78	0.41	13.54	4.31	0.37	11.33	3.84	0.33	9.3	3.37	0.29	7.43
	12	4.38	0.32	8.55	3.9	0.28	7.02	3.41	0.25	5.61	2.92	0.21	4.31
	15	3.7	0.21	4.45	3.19	0.18	3.45	2.65	0.15	2.4	1.95	0.11	1
50	5	6.9	1.2	82.93	6.44	1.12	73.31	5.97	1.04	64.24	5.51	0.96	55.73
	8	6.35	0.69	31.65	5.89	0.64	27.71	5.42	0.59	24.01	4.95	0.54	20.55
	10	5.98	0.52	19.41	5.51	0.48	16.86	5.04	0.44	14.46	4.57	0.4	12.23
	12	5.59	0.4	12.69	5.12	0.37	10.91	4.65	0.34	9.24	4.17	0.3	7.69
	15	4.98	0.29	7.16	4.5	0.26	6.02	4.01	0.23	4.96	3.52	0.2	3.97
55	5	8.07	1.41	107.18	7.6	1.32	96.42	7.13	1.24	86.19	6.66	1.16	76.51
	8	7.52	0.82	41.69	7.06	0.77	37.26	6.59	0.72	33.06	6.12	0.67	29.09
	10	7.16	0.62	25.99	6.69	0.58	23.11	6.22	0.54	20.38	5.76	0.5	17.8
	12	6.79	0.49	17.33	6.32	0.46	15.31	5.85	0.42	13.4	5.38	0.39	11.6
	15	6.21	0.36	10.19	5.73	0.33	8.89	5.26	0.3	7.67	4.78	0.28	6.52
60	5	9.23	1.61	133.76	8.76	1.53	121.92	8.29	1.45	110.59	7.82	1.37	99.78
	8	8.69	0.95	52.74	8.22	0.9	47.84	7.75	0.85	43.16	7.29	0.79	38.71
	10	8.33	0.73	33.24	7.86	0.69	30.04	7.4	0.64	26.99	6.93	0.6	24.09
	12	7.97	0.58	22.46	7.5	0.54	20.21	7.03	0.51	18.07	6.56	0.48	16.03
	15	7.41	0.43	13.53	6.94	0.4	12.08	6.47	0.37	10.7	6	0.35	9.4
65	5	10.39	1.82	162.61	9.92	1.73	149.71	9.45	1.65	137.32	8.98	1.57	125.43
	8	9.86	1.08	64.74	9.39	1.03	59.39	8.92	0.97	54.26	8.45	0.92	49.34
	10	9.5	0.83	41.12	9.03	0.79	37.62	8.52	0.68	34	8.1	0.71	31.06
	12	9.15	0.66	28.04	8.68	0.63	25.58	8.21	0.6	23.21	7.74	0.56	20.95
	15	8.6	0.5	17.18	8.13	0.47	15.58	7.66	0.44	14.06	7.19	0.42	12.6

### Prescurtari:

$\Delta t$ : Diferenta de temperatura (°C)

TH: Capacitatea totala de incalzire (°C)

WF: Debitul de apa (m<sup>3</sup>/h)

WPD: Pierderea de presiune a apei (kPa)



MKA-V1200F													
EWT	$\Delta T$	Temperatura interna (D.B.)											
		16			18			20			22		
		TH	WF	WPD	TH	WF	WPD	TH	WF	WPD	TH	WF	WPD
[°C]	[°C]	[kW]	[m <sup>3</sup> /h]	[kPa]	[kW]	[m <sup>3</sup> /h]	[kPa]	[kW]	[m <sup>3</sup> /h]	[kPa]	[kW]	[m <sup>3</sup> /h]	[kPa]
40	5	6.22	1.08	51.71	5.59	0.97	42.9	4.98	0.86	34.84	4.32	0.75	27.53
	8	5.42	0.59	18.24	4.78	0.52	14.71	4.14	0.45	11.49	3.49	0.38	8.59
	10	4.85	0.42	10.36	4.19	0.36	8.09	3.52	0.3	6.01	2.81	0.24	4
	12	4.21	0.3	6.02	3.5	0.25	4.29	2.89	0.19	2.01	2.04	0.16	1.29
	15	2.67	1.57	1.34	2.47	0.16	1.33	2.27	0.16	1.32	2.04	1.57	1.29
45	5	7.81	1.36	75.16	7.18	1.25	64.8	6.54	1.14	55.14	5.91	1.03	46.19
	8	7.04	0.76	27.9	6.4	0.69	23.68	5.77	0.63	19.77	5.13	0.56	16.17
	10	6.51	0.56	16.67	5.87	0.51	13.95	5.22	0.45	11.43	4.57	0.4	9.12
	12	5.95	0.43	10.52	5.29	0.38	8.63	4.63	0.33	6.88	3.95	0.29	5.27
	15	5.01	0.29	5.44	4.3	0.25	4.14	3.53	0.2	2.55	2.66	0.16	1.26
50	5	9.4	1.63	101.84	8.78	1.52	89.99	8.12	1.41	78.83	7.49	1.3	68.36
	8	8.65	0.94	38.93	8.01	0.87	34.07	7.37	0.8	29.51	6.74	0.73	25.25
	10	8.13	0.71	23.89	7.49	0.65	20.74	6.85	0.59	17.79	6.22	0.54	15.03
	12	7.61	0.55	15.62	6.96	0.5	13.42	6.32	0.46	11.36	5.67	0.41	9.45
	15	6.77	0.39	8.81	6.11	0.35	7.4	5.44	0.31	6.09	4.76	0.28	4.86
55	5	10.98	1.91	131.52	10.34	1.8	118.28	9.7	1.69	105.69	9.06	1.58	93.78
	8	10.24	1.11	51.25	9.6	1.04	45.79	8.96	0.97	40.61	8.33	0.91	35.72
	10	9.74	0.85	31.97	9.1	0.79	28.41	8.46	0.74	25.05	7.83	0.68	21.87
	12	9.24	0.67	21.33	8.59	0.62	18.84	7.95	0.58	16.48	7.31	0.53	14.26
	15	8.45	0.49	12.54	7.8	0.45	10.94	7.15	0.41	9.43	6.5	0.38	8.01
60	5	12.56	2.19	164.05	11.91	2.08	149.46	11.27	1.97	135.51	10.63	1.86	122.22
	8	11.83	1.29	64.78	11.19	1.22	58.74	10.55	1.15	52.98	9.91	1.08	47.5
	10	11.34	0.99	40.86	10.7	0.93	36.92	10.06	0.88	33.15	9.42	0.82	29.58
	12	10.85	0.79	27.63	10.21	0.74	24.85	9.57	0.69	22.21	8.93	0.65	19.7
	15	10.09	0.58	16.66	9.44	0.55	14.87	8.8	0.51	13.16	8.15	0.47	11.55
65	5	14.14	2.47	199.33	13.49	2.36	183.43	12.85	2.25	168.17	12.2	2.14	153.55
	8	13.42	1.47	79.48	12.77	1.39	72.88	12.13	1.32	66.56	11.49	1.25	60.51
	10	12.94	1.13	50.53	12.29	1.07	46.21	11.7	0.96	42.4	11.01	0.96	38.11
	12	12.45	0.9	34.48	11.81	0.86	31.43	11.17	0.81	28.52	10.53	0.76	25.73
	15	11.71	0.68	21.14	11.07	0.64	19.17	10.42	0.61	17.28	9.78	0.57	15.48

**Prescurtari:**

$\Delta t$ : Diferenta de temperatura (°C)

TH: Capacitatea totala de incalzire (°C)

WF: Debitul de apa (m<sup>3</sup>/h)

WPD: Pierderea de presiune a apei (kPa)

MKA-V1500F													
EWT	$\Delta T$	Temperatura interna (D.B.)											
		16			18			20			22		
		TH	WF	WPD	TH	WF	WPD	TH	WF	WPD	TH	WF	WPD
[°C]	[°C]	[kW]	[m³/h]	[kPa]	[kW]	[m³/h]	[kPa]	[kW]	[m³/h]	[kPa]	[kW]	[m³/h]	[kPa]
40	5	6.54	1.13	59.43	5.87	1.02	49.33	5.21	0.9	40.08	4.55	0.79	31.69
	8	5.71	0.62	21.04	5.04	0.55	16.99	4.37	0.47	13.3	3.69	0.4	9.97
	10	5.12	0.44	12	4.43	0.38	9.4	3.73	0.32	7.03	3.01	0.26	4.83
	12	4.47	0.32	7.05	3.74	0.27	5.17	2.94	0.21	2.83	2.1	0.16	1.38
	15	2.82	0.16	1.48	2.54	0.16	1.42	2.34	1.58	1.41	2.1	1.58	1.38
45	5	8.2	1.42	86.33	7.53	1.31	74.44	6.87	1.19	63.35	6.2	1.08	53.09
	8	7.4	0.8	32.11	6.73	0.73	27.27	6.07	0.66	22.78	5.4	0.59	18.65
	10	6.85	0.59	19.23	6.18	0.54	16.1	5.51	0.48	13.22	4.83	0.42	10.57
	12	6.28	0.45	12.17	5.59	0.4	10	4.9	0.35	8	4.2	0.3	6.16
	15	5.32	0.31	6.36	4.59	0.26	4.94	3.81	0.22	3.34	2.75	0.16	1.36
50	5	9.85	1.71	116.92	9.19	1.6	103.33	8.52	1.48	90.53	7.85	1.37	78.51
	8	9.08	0.99	44.75	8.41	0.91	39.18	7.74	0.84	33.95	7.08	0.77	29.06
	10	8.55	0.74	27.5	7.88	0.68	23.89	7.21	0.63	20.5	6.54	0.57	17.34
	12	8.01	0.58	18.01	7.33	0.53	15.49	6.66	0.48	13.13	5.98	0.43	10.93
	15	7.15	0.41	10.2	6.46	0.37	8.59	5.76	0.33	7.08	5.06	0.29	5.68
55	5	11.51	2.01	150.97	10.84	1.89	135.77	10.17	1.77	121.33	9.5	1.66	107.66
	8	10.75	1.17	58.88	10.08	1.1	52.62	9.41	1.02	46.68	8.74	0.95	41.07
	10	10.23	0.89	36.77	9.56	0.83	32.68	8.89	0.77	28.82	8.23	0.72	25.17
	12	9.71	0.7	24.56	9.04	0.65	21.7	8.37	0.61	18.99	7.7	0.56	16.45
	15	8.9	0.51	14.48	8.22	0.48	12.64	7.54	0.44	10.9	6.86	0.4	9.27
60	5	13.16	2.3	188.28	12.49	2.18	171.53	11.82	2.06	155.54	11.15	1.95	140.29
	8	12.41	1.35	74.4	11.74	1.28	67.47	11.07	1.21	60.86	10.4	1.13	54.57
	10	11.91	1.04	48.96	11.23	0.98	42.43	10.56	0.92	38.11	9.9	0.86	34.01
	12	11.4	0.83	31.78	10.72	0.78	28.59	10.05	0.73	25.56	9.38	0.68	22.68
	15	10.61	0.61	19.19	9.94	0.58	17.13	9.26	0.54	15.18	8.59	0.5	13.33
65	5	14.82	2.59	228.75	14.14	2.47	210.51	13.46	2.36	193	12.79	2.24	176.23
	8	14.07	1.54	91.25	13.4	1.46	83.68	12.72	1.39	76.43	12.05	1.32	69.49
	10	13.57	1.18	58.05	12.9	1.13	53.09	12.29	0.99	48.7	11.56	1.01	43.8
	12	13.07	0.95	39.63	12.4	0.9	36.13	11.73	0.85	32.79	11.06	0.8	29.59
	15	12.31	0.71	24.33	11.63	0.68	22.06	10.96	0.64	19.89	10.29	0.6	17.83

### Prescurtari:

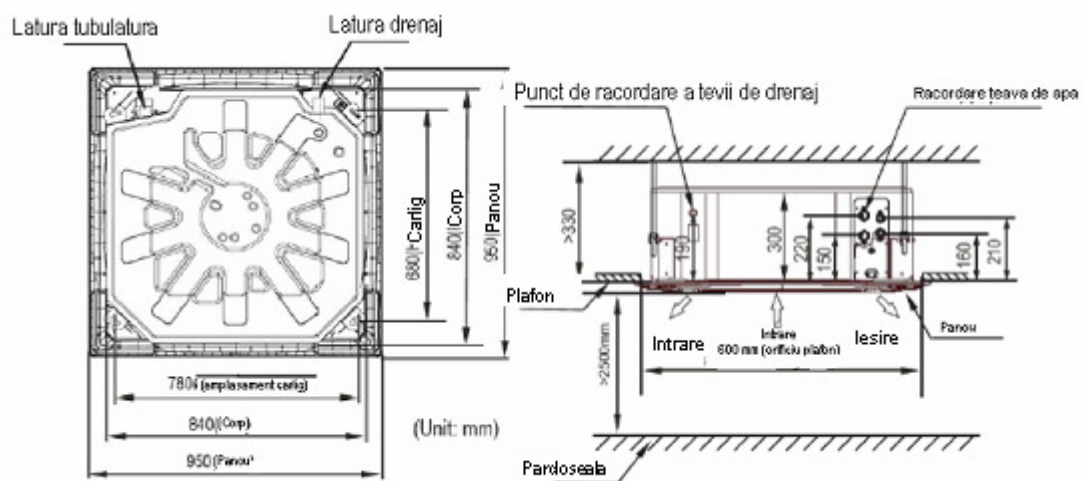
$\Delta t$ : Diferenta de temperatura (°C)

TH: Capacitatea totala de incalzire (°C)

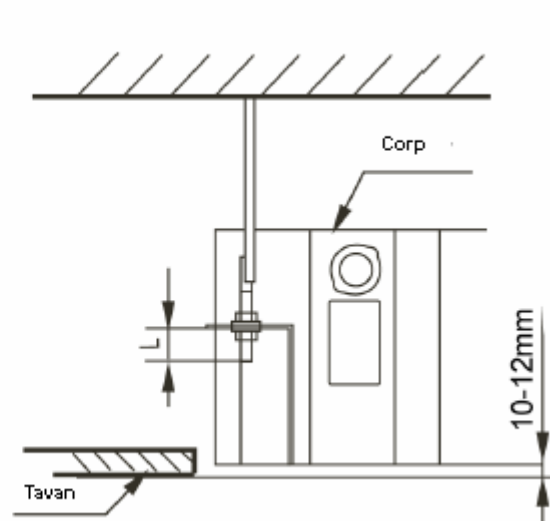
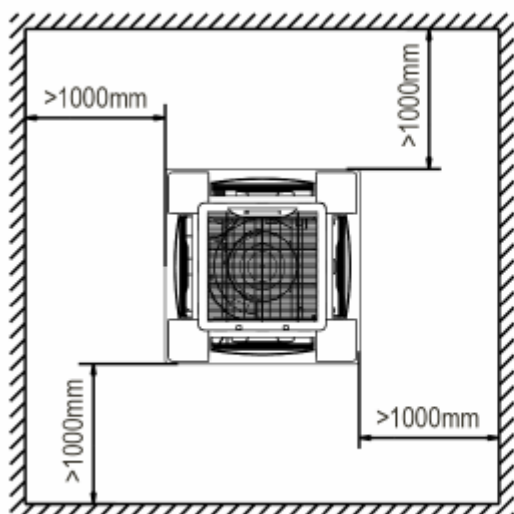
WF: Debitul de apa (m³/h)

WPD: Pierderea de presiune a apei (kPa)

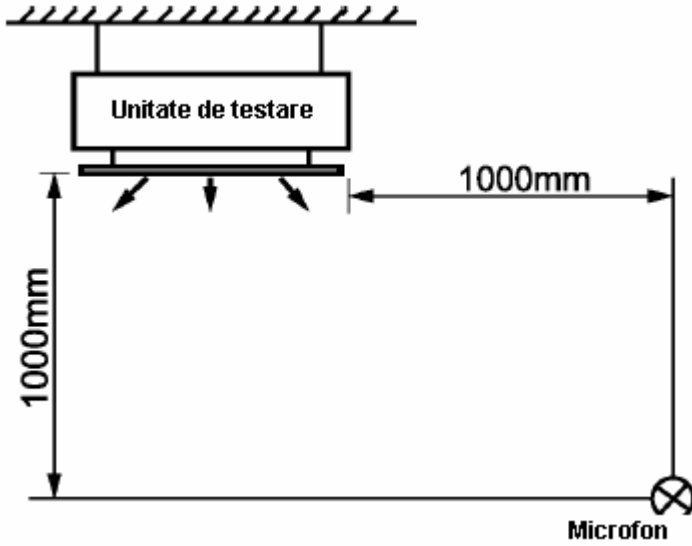
## 7. Dimensiuni



## 8. Spatii de service

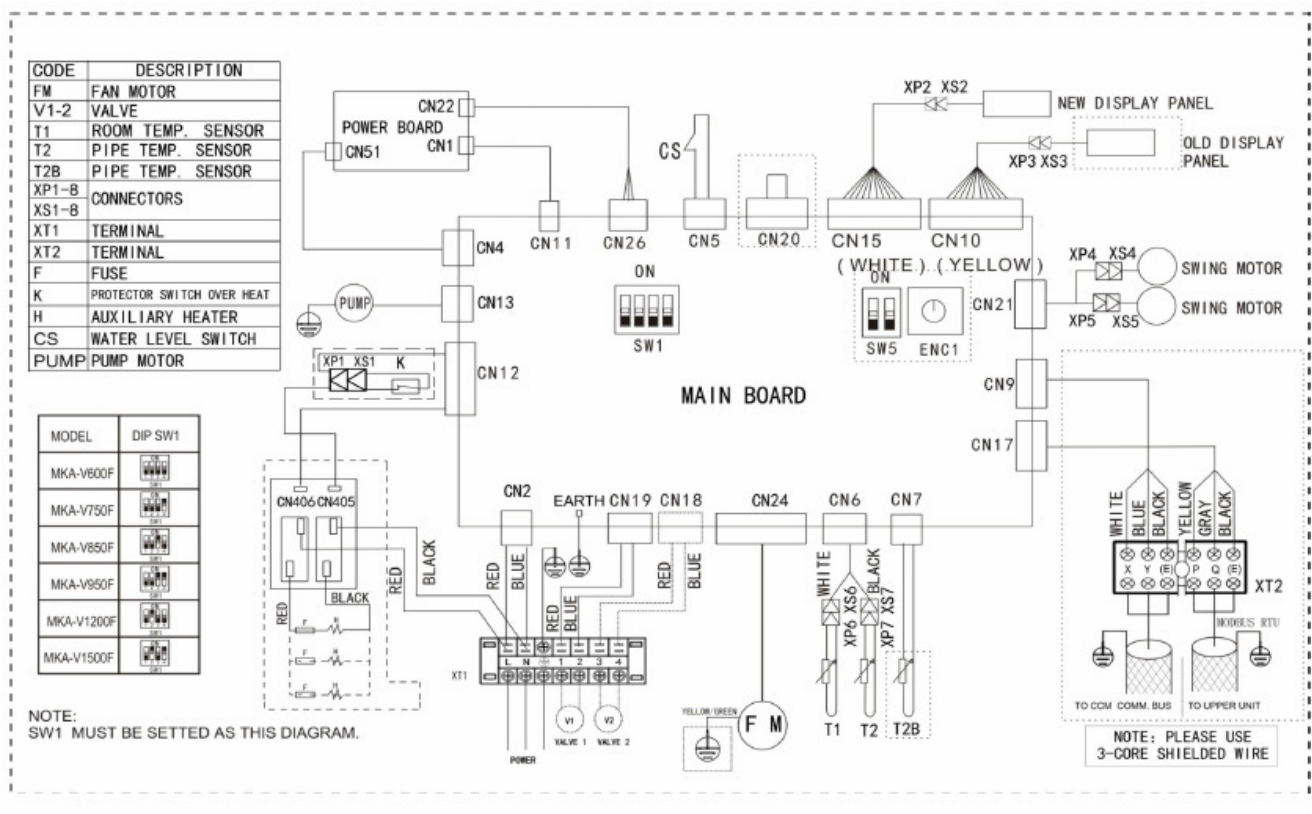


## 9. Nivel de zgomot



MKA-V	600F	750F	850F
H/M/L [dB(A)]	42/37/31	44/39/33	45/39/36
MKA-V	950F	1200F	1500F
H/M/L [dB(A)]	46/41/38	48/44/42	49/43/38

## 10. Schema conexiunilor electrice



COD	Descriere
FM	Motor ventilator
V 1-2	Vana
T1	Senzor de temperatura camera
T2	Senzor de temperatura teava
T2B	Senzor de temperatura teava
XP1-8	CONECTORI
XS1-8	
XT1	TERMINAL
XT2	TERMINAL
F	SIGURANTA FUZIBILA
K	COMUTATOR DE PROTECTIE LA SUPRAINCALIZRE
H	INCALZITOR AUXILIAR
CS	PRESOSTAT DE APA
POMPA	POMPA MOTOR

New display panel – noul display al panoului

Old display panel - vechiul display al panoului

Swing motor – motor baleiere

White – alb

Blue – albastru

Black – negru

Yellow – galben

Gray – gri

to CCM COMM. BUS – catre CCM BUS comun

to upper unit – catre unitatea superioara

Nota: va rugam sa utilizati cabluri ecranate cu trei fire

Main board – Placa principala

Yellow/ green – galben/verde

Power – alimentare electrica

Red – rosu

NOTA: SW1 trebuie stabilit conform acestei scheme a conexiunilor electrice

## 11. Defectiuni de functionare

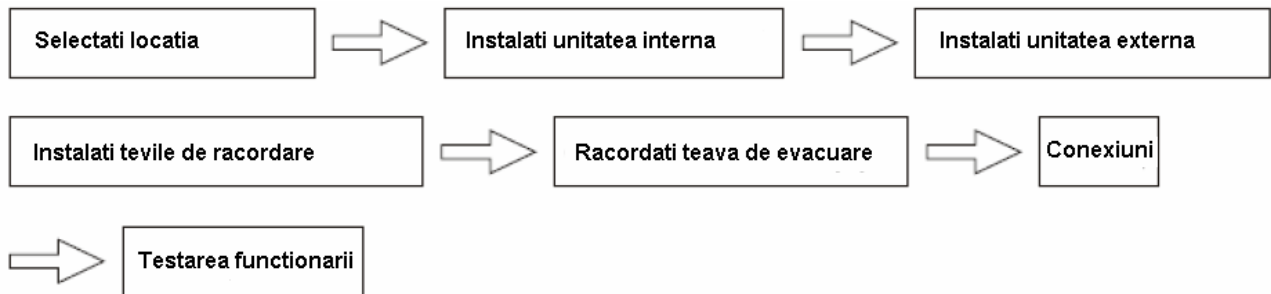
Nr.	Defectiune de functionare	leduri de functionare	leduri timer	led de dezghetare	led de alarma	led de alarma
1	Senzor de temperatura este defect	x	☆	x	x	E2
2	Senzorul vaporizatorului este defect	☆	x	x	x	E3
3	Defectiune EEprom	☆	☆	x	x	E7
4	Defectiune presostat de apa	x	x	x	☆	EE
5	Defectiune ventilator	☆	x	☆	x	E8
6	Nu sunt selectate modelele	x	x	☆	☆	PH

Nota : x stins ☆ se arinde intermitent la 5HZ.

## 12. Instalare

### 12.1 Inainte de instalare

Va rugam sa verificati cu atentie daca accesoriile sunt intacte. Daca unele accesorii sunt defecte, reparami-le cu atentie.



### 12.2 Locul instalarii

(Consultati fig. 1, fig. 2, fig. 3 si tabelul 1 pentru specificatii.)

Unitatea interna trebuie sa fie instalata intr-un loc ce indeplineste urmatoarele cerinte:

- Instalati unitatea într-un loc în care exista spatiu suficient pentru instalare si întreținere.
- Instalati unitatea într-un loc în care plafonul este orizontal si poate sustine greutatea unitatii de interior.
- Instalati unitatea într-un loc în care orificiile de intrare si iesire a aerului nu sunt obturate si nu sunt afectate de aerul exterior.
- Instalati unitatea într-un loc în care fluxul de aer sa poata ajunge în toate colturile încăperii.
- Instalati unitatea într-un loc în care sa puteti monta cu usurinta conducta de legatura si conducta de evacuare.
- Instalati unitatea într-un loc în care sa nu existe emisii de caldura directe de la o sursa de caldura.

Atentie:

Mentineti unitatea de interior, unitatea de exterior, alimentarea cu curent și cablurile de transmisie la cel puțin 1 metru distanta de televizoare și radiouri. Aceasta ajuta la prevenirea interferentelor și zgomotelor ce provin de la aceste aparate electrice. (Zgomotul poate fi generat in functie de conditiile in care este generata unda electrica, chiar daca se pastreaza 1 metru distanta).

### 12.3 Proceduri de instalare pentru racordarea tubulaturii de admisie a aerului proaspat

Pregatirea gaurii de racordare

- Decupati cu un cleste gaura din placa laterala .
- Taiati cu un cutter izolatia interna a gaurii decupate.

Amplasarea izolatiei

- Amplasati etans izolatia de-a lungul gaurii unitatii conform indicatiilor. Capetele placii laterale si izolatia interna trebuie sa adere perfect fara a lasa nici un spatiu de-a lungul circumferintei gaurii. Asigurati-va ca suprafata itnerna a izolatiei intra in contact etans cu marginea izolatiei interne si plac laterala. (consultati fig. 5)

## 12.4 Instalarea corpului principal

### A. Plafonul existent (trebuie sa fie orizontal)

a. Efectuati o gaura cu patru laturi de 880×880mm in plafon, in functie de forma panoului de montaj.

- Centrul gaurii trebuie sa aiba aceeasi pozitie cu cea a corpului aparatului de aer conditionat.
- Stabiliti lungimile și ieșirile tubulaturii, tevii de drenare și cablurilor.
- Pentru a echilibra plafonul și a evita vibratiile, ranforsati plafonul daca este necesar.

b. Alegeti pozitia carligelor de fixare conform gaurilor pentru carlige de pe panoul de montaj.

- Faceti patru gauri cu Ø12mm, 50~55mm adancime in pozitiile fixate pe plafon. Apoi introduceti carligele de expansiune (fitinguri).
- Indreptati partea concava a carligelor de fixare spre carligele de expansiune. Stabiliti lungimea carligelor de fixare de la inaltimea plafonului și apoi taiati partea inutila.
- Daca plafonul este foarte inalt, stabiliti lungimea carligului de fixare conform situatiei de la fata locului.

c. Reglati piulitele hexagonale pe cele patru carlige de fixare in mod egal pentru a asigura echilibrul unitatii.

- Daca conducta de drenare este rasucita, vor aparea scurgeri datorita functionari eronate a intrerupatorului de nivel apa.
- Reglati pozitia pentru a va asigura ca intervalele dintre unitate și cele patru laturi ale plafonului sunt egale. Partea inferioara a unitatii trebuie sa intre in plafon aproximativ 10~12 mm.
- In general, L este jumătate din lungimea șurubului carligului de fixare.
- Fixati bine aparatul de aer conditionat prin strangerea piulitelor, dupa ce ati reglat corect pozitia unitatii (consultati pozitia 7).

## B. Case și plafoane nou construite

a. In cazul unei case nou construite, carligul poate fi incastrat dinainte (vezi A.b de mai sus). Acesta trebuie sa fie suficient de rezistent pentru a suporta unitatea de interior și sa nu joace din cauza contractiei betonului.

b. Dupa instalarea unitatii, fixati panoul pe aparatul de aer conditionat cu ajutorul bolturilor (M6\*12) pentru a stabili dinainte marimile și pozitiile deschiderii gaurilor de pe plafon.

- Va rugam sa va asigurati mai intai de planeitatea și orizontalitatea plafonului la instalarea aparatului.

- Vezi A.a de mai sus pentru alte aspecte.

c. Vezi A.c de mai sus pentru montare.

d. Scoateti panoul de montaj.

### Atentie:

Dupa instalarea unitatii, cele patru bolturi (M6x12) trebuie stranse pe aparatul de aer conditionat pentru a va asigura ca unitatea este legata bine la pamant.

Figuri 1

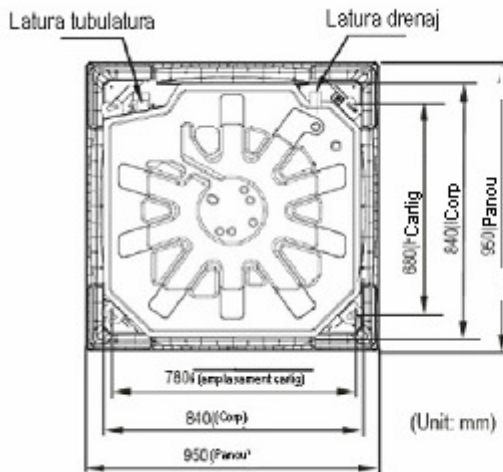


Fig. 1

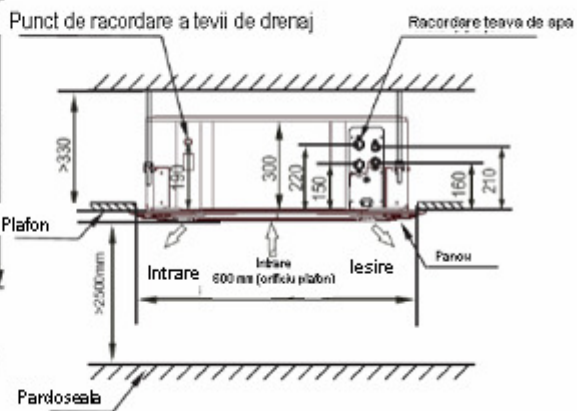


Fig. 2

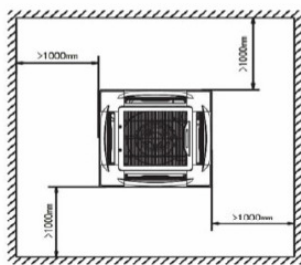
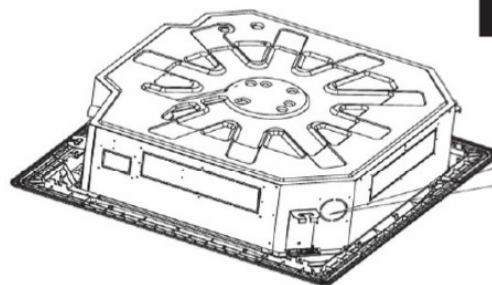


fig.3



Tabel 1

MODEL	A	B	C
12.5	230	170	>260
16/20	300	190	>330

mm

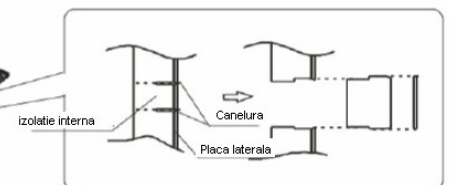


Fig. 4



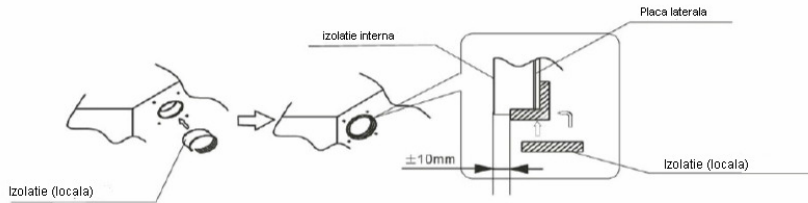


fig.5

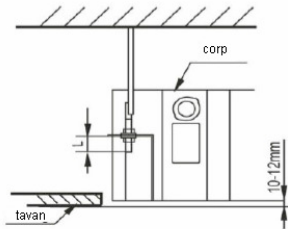


fig.6

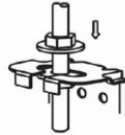


fig.7

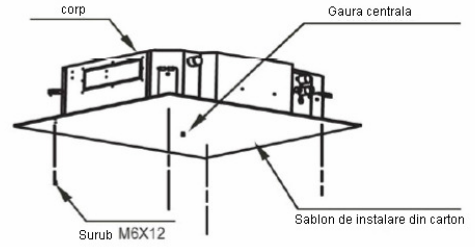


fig.8

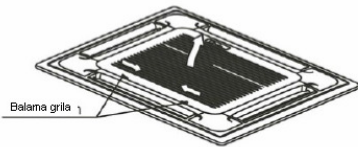


fig.9

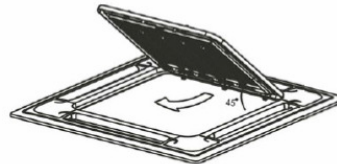


fig.10

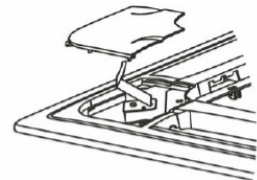
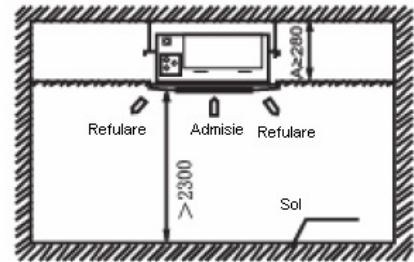
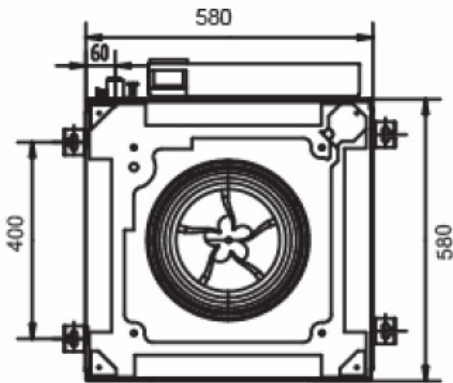
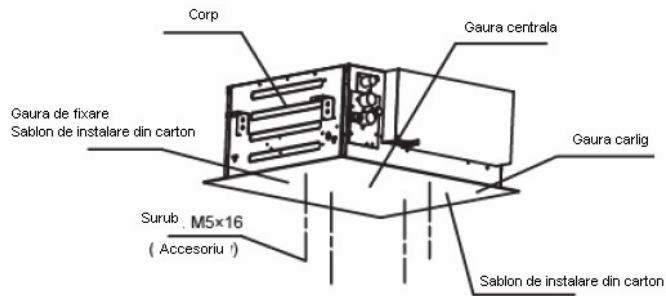


fig.11

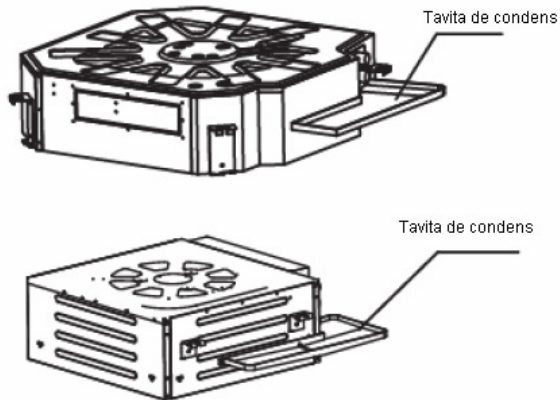
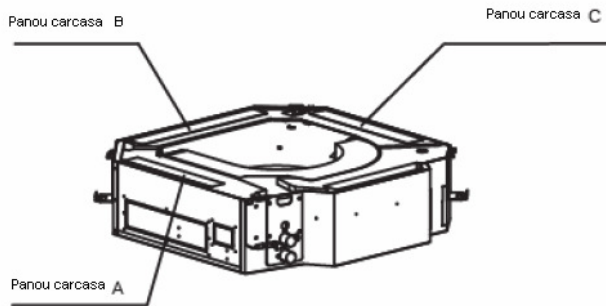
Desenul de instalare pentru ventiloconvectoarele tip caseta cu 4 cai





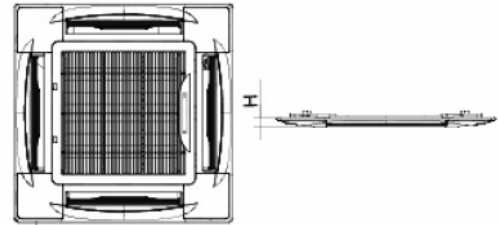
**FIGURES 3**

Panou carcasa B



Inaltimea panoului frontal:

Tip	H(mm)
Caseta cu patru cai	46
Caseta subtire cu patru cai	20



Nume	Model
Panou carcasa A	CE-FP-12.5KBM-Z-D.2
Panou carcasa B	CE-FP-12.5KBM-Z-D.3
Panou carcasa C	CE-FP-12.5KBM-Z-D.4

Nota: Panoul carcasa este numai pentru caseta cu patru cai nu si pentru caseta subtire cu patru cai

Tip	Model
300/400/450/500	CE-FP-8KBM-Z-D.1
600/750/850/950/1200/1500	CE-FP-12.5KBM-Z-D.5

Nota: Panoul carcasa si tavita de condens sunt accesorii ce sunt alese de client

## 12.5 Montarea panoului

### Atentie:

Nu așezati niciodata panoul cu fata in jos pe pardoseala sau sprijinit de un perete sau pe obiecte bombate.

Nu-l loviti.

### (1) Scoateti grila de admisie a aerului

- a. Culisati cele doua butoane ale grilei spre mijloc in același timp și apoi trageți in sus. (Consultati fig. 9)
- b. Inclinati sita la un unghi de aproximativ 45o și apoi scoateti-o. (Consultati fig. 10)

### (2) Scoateti capacele de fixare din cele patru colturi

Desfaceti bolturile, eliberati cablul capacele de fixare și scoateti-le. (Consultati fig. 11)

### (3) Montati panoul

- a. Aliniati motorul vibrator de pe panou cu racordurile tubulaturii unitatii.
- b. Fixati carligele panoului pe motorul vibrator și laturile opuse de carligele colectorului de apa corespunzator. Apoi fixati celelalte doua carlige ale panourilor in clemele corespunzatoare ale corpului.

### Atentie

Nu incolaciti firele motorului vibrator in buretele de etanșare.

- c. Potriviti cele patru șuruburi ale carligelor panoului pentru a mentine panoul orizontal și înșurubati-le egal in plafon.
- d. Reglati ușor panoul in sensul sagetii pentru a potrivi centrul panoului cu centrul deschiderii din plafon. Asigurati-va ca carligele din cele patru colturi sunt bine fixate.
- e. Strangeti șuruburile sub carligele panoului pana cand grosimea buretelui dintre unitate și orificiul de drenare al panoului a fost redusa la aproximativ 4~6 mm. Marginea panoului trebuie sa vina bine in contact cu plafonul.

Daca inca exista un interval intre panou și plafon dupa strangerea șuruburilor, inaltimea unitatii de interior trebuie modificata din nou.

Puteti modifica inaltimea unitatii de interior prin deschiderile din cele patru colturi ale panoului, daca inaltimea de ridicare a unitatii de interior și a tevii de drenare nu este influentata.

Daca inca exista un interval intre panou și plafon dupa strangerea șuruburilor, inaltimea unitatii de interior trebuie modificata din nou.

Puteti modifica inaltimea unitatii de interior prin deschiderile din cele patru colturi ale panoului, daca inaltimea de ridicare a unitatii de interior și a tevii de drenare nu este influentata.

### (4) Montati grila de admisie a aerului e panou și apoi conectati borna din plumb a motorului vibrator și cea a cutiei de comanda la bornele corespunzatoare de pe unitate.

### (5) Puneti la loc sita de admisie a aerului in ordinea inversa aratata mai sus.

### (6) Puneti la loc capacul.

- a. Fixati cablul capacului de fixare de boltul capacului de fixare . (Vezi figura 16-stanga)
- b. Apasati ușor capacul pe panou. (Vezi figura 16-dreapta)

## **12.6 Racordarea tevii de drenare**

### **Montati conducta de drenare**

- Puteti folosi un teava din polietilena pe post de conducta de drenare (diametru exterior 37~39mm, diametru interior 32mm).
- Așezati gura tevii de drenare la baza tevii aferenta pompei unitatii și fixati conducta de drenare și mantaua acesteia (fitinguri) impreuna cu clema de pe conducta de drenare (fiting).

### **Precautii:**

Folositi forta cu atentie pentru a nu rupe conducta pompei.

- Conducta pompei unitatii și conducta de drenare (in special partea de interior) trebuie acoperite uniform cu mantaua tevii de drenare (fitinguri) și legate impreuna cu banda constrictoare pentru a preveni condensul cauzat de aerul intrat.
  - Pentru a impiedica curgerea inversa a apei in aparatul de aer conditionat atunci cand acesta este oprit, inclinati conducta spre exterior (spre partea de drenare) la un grad de peste 1/100. Panta tevii de golire trebuie sa fie mai mare de (1/100), fara a permite depozitele de apa. (Vezi figura 6-1 a)
  - Nu trageți tare de conducta de drenare atunci cand o racordati pentru a evita deplasarea unitatii. In acest sens, la fiecare 0.8~1,0m trebuie asigurat cate un punct de sprijin pentru ca conducta de drenare sa nu cedeze. (Vezi figura 6-1 b)
- Sau puteti lega conducta de drenare cu teava de racordare pentru a o fixa.
- In cazul unei tevi de drenare prelungite, trebuie sa fixati partea din interior cu ajutorul unui teava de protectie pentru ca aceasta sa nu scape.
  - Daca orificiul de drenare al tevii de drenare este mai inalt decat racordul pompei unitatii, conducta trebuie fixata cat mai vertical posibil, iar distanta de ridicare trebuie sa fie sub 1000 mm, in caz contrar apa va curge inapoi cand aparatul este oprit. (Vezi figura 6-2)

### **Precautii:**

Toate imbinarile sistemului de drenare trebuie sa fie etanșe pentru a preveni scurgerile de apa.

- Capatul tevii de drenare trebuie sa fie cu peste 50mm mai inalt decat solul sau partea de jos a tevii de drenare și sa nu fie imersat in apa. Daca evacuati apa direct in canalizare, este mai bine sa efectuati un sistem de etanșare a apei in forma de U prin indoirea tevii in sus pentru a preveni gazul mirositor sa intre in casa prin conducta de drenare.

**Nota: Toate figurile din acest manual au numai un scop explicativ. Ar putea fi usor diferite fata de aparatele de aer conditionat pe care l-ati achizitionat (in functie de model). Forma reala este prevalenta.**

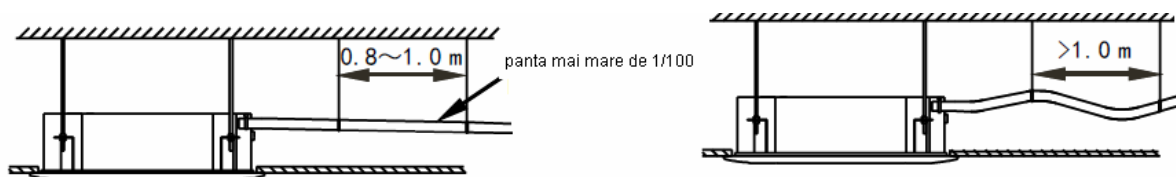


Fig.6-1

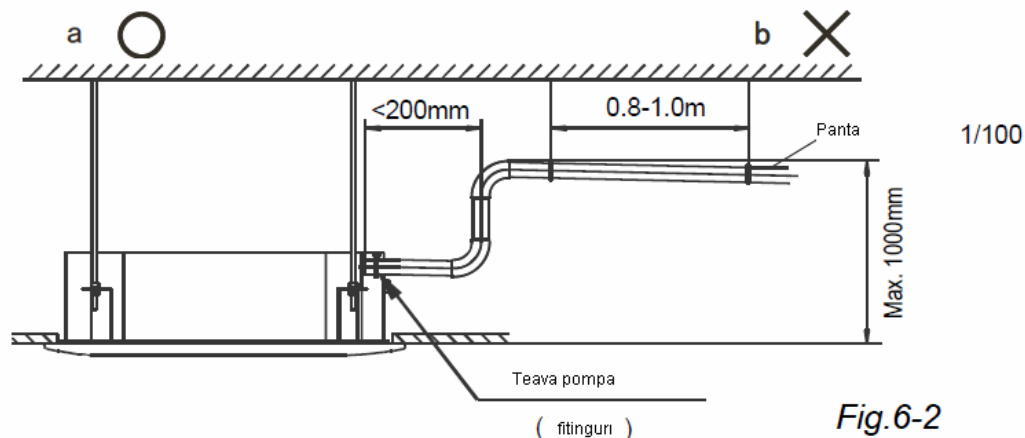


Fig.6-2

### Proba de drenare

- Verificati daca conducta de drenare este in stare adecvata.
- In cazul caselor nou construite, aceasta proba se face inaintea tencuirii plafonului.
  1. Scoateti capacul și lasati sa se adune aproximativ 2000 ml de apa in colectorul de apa prin conducta de umplere.
  2. Porniti alimentarea și setati aparatul de aer conditionat sa functioneze in modul "COOLING" (RACIRE). Ascultati zgomotul tevii de drenare. Verificati daca apa este evacuata corect (se accepta o intarziere de 1 min inainte de inceperea evacuarii, conform lungimii tevii de drenare) și verificati daca exista scurgeri de apa din racordurile conductei.

**Precautii:** Daca exista vreo defectiune, remediati-o imediat.

3. Opriti aparatul de aer conditionat timp de trei minute și verificati daca totul este in regula. Daca furtunul de drenare este amplasat incorect, revarsarea apei va face la lampa indicatoare de Alarma sa se aprinda intermitent (atat pentru racire cat și pentru incalzire sau doar pentru racire) și chiar apa se poate scurge din colectorul de apa.
4. Verificati imediat pompa de drenare daca apar scurgeri de apa atunci cand alarma semnaleaza un nivel ridicat al apei. Daca nivelul de apa nu poate scadea sub nivelul limitat de apa, aparatul de aer conditionat se vor opri. Opriti alimentarea cu energie electrica si evacuati apa. Reporniti-l.
5. Opriti alimentarea și goliti apa.
  - Dopul de scurgere este folosit pentru golirea colectorului de apa in scopuri de intretinere a aparatului de aer conditionat. Fixati-l pe pozitie permanent in timpul functionarii pentru a evita scurgerile.

## 12.7 Conexiunile electrice

### Atentie:

- Aparatul de aer conditionat trebuie sa aiba o alimentare separata cu tensiunea nominala specificata.
- Alimentarea externa a aparatului de aer conditionat trebuie sa aiba fir de impamantare care este legat la impamantarea unitatii de interior și de exterior.
- Conexiunile electrice trebuie efectuate de personal calificat, conform schemei de conexiuni.
- Un intrerupator care are o separare a contactelor de cel puțin 3 mm într-un pol trebuie conectat la firele fixe.
- Asigurati-va ca așezati bine firele de alimentare și firele de semnalizare pentru a evita interferentele .
- Nu porniti alimentarea pana cand nu ati verificat cu atentie toate firele.

### Nota:

Se aplica specificatiile din Directiva EMC 2004/108/EEC pentru prevenirea aprinderii scanteilor in timpul pornirii compresorului (proces tehnic) in urma conditiilor de instalare.

1. Alimentarea aparatului de aer conditionat trebuie sa se faca de la magistrala. Distributia trebuie sa aiba o impedanta redusa; in mod normal, impedanta necesara ajunge la un punct de topire de 32A.

2. Nici un alt echipament nu trebuie conectat la aceasta linie de alimentare.

3. Pentru detalii referitoare la aprobarea instalarii, contactati furnizorul de electricitate, daca se aplica restrictii pentru produse precum mașinile de spalat, aparatele de aer conditionat sau cuptoarele electrice.

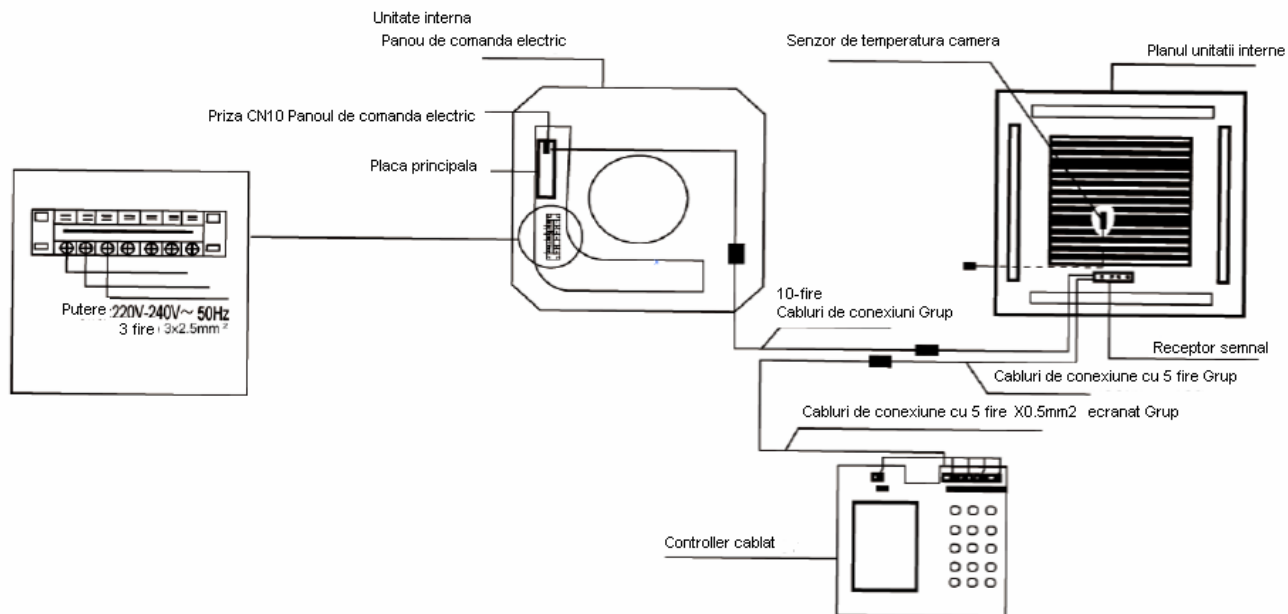
4. Pentru detalii legate de alimentarea aparatului de aer conditionat, consultati placuta indicatoare de pe produs.

5. Pentru alte nelamuriri, contactati dealerul local.

### 12.7.1 Conectarea cablului

- Desfaceti bolturile de pe capac. (Daca nu exista un capac pe unitatea de exterior, desfaceti bolturile de pe placa de intretinere și trageti-o in sensul sagetii pentru a scoate placa de protectie)
- Conectati cablurile la borne conform numerelor acestora de pe cutia de borne a unitatilor de interior și exterior.
- Așezati la loc capacul sau placa de protectie.

## 12.7.2 Schema conexiunilor electrice



**Nota:** Dacă este deteriorat cablul de alimentare electrică, trebuie înlocuit de către producător sau agentul său de service sau de o persoană cu calificare similară

## 12.8 Testarea funcționării

- **Verificarea funcționării se face după ce ați încheiat instalarea.**
- **Va rugăm să aveți în vedere următoarele înainte a de a verifica funcționarea.**
- Unitățile de interior și de exterior sunt montate corect.
- Tubulatura și firele sunt corect finalizate.
- Sistemul de tevi pentru agentul refrigerant nu prezintă scurgeri.
- Conducta de drenare este în stare bună.
- Impamantarea este corect efectuată.
- Lungimea tubulaturii a fost înregistrată.
- Tensiunea de alimentare se potrivește cu tensiunea nominală a aparatului de aer condiționat.
- Nu există obstacole la intrarea și ieșirea unităților de interior și exterior.
- Aparatul de aer condiționat este preîncălzit prin pornirea alimentării.
  - **Conform nevoilor utilizatorului, montați telecomanda acolo unde semnalul acesteia poate ajunge ușor la unitatea de interior.**
  - **Verificarea funcționării**

Setați aparatul de aer condiționat în modul "COOLING" (RACIRE) cu ajutorul telecomenzii și verificați următoarele aspecte. Dacă există defecțiuni de funcționare soluționați-le conform capitolului "Defecțiuni de funcționare" și în "manualul utilizatorului".

- a. Dacă întrerupătorul de pe telecomanda funcționează bine.
- b. Dacă butoanele de pe telecomanda funcționează bine.
- c. Dacă jaluzelele se mișcă normal.
- d. Dacă temperatura din încăpere este bine reglată.

- e. Daca indicatorul de aprinde normal.
- f. Daca butoanele temporare functioneaza corect.
- g. Daca drenarea este normala.
- h. Daca exista vibratii sau zgomote anormale in timpul functionarii.
- i. Daca aparatul de aer conditionat incalzește bine in cazul tipului HEATING/COOLING.

**Atentie:** un parametru de protectie impiedica activarea aparatului de aer conditionat timp de aproximativ 3 minute cand se reincearca repornirea acestuia imediat dupa oprire.

Colectivul de redactare a cartii tehnice:

Traducere:	<b>Iuliana BELEGANTE</b>
Tehnoredactare:	<b>Iuliana BELEGANTE</b>

---

BUCURESTI - ROMANIA - Sos. Vitan-Barzesti nr. 11A, sector 4; Tel/Fax: 021-332.09.01, 334.94.63;  
Reg. Com. J/40/14205/1994 - Cod fiscal R 5990324 - Cont RO74RNCB501000000130001 B.C.R.  
Sector 1, BUCURESTI - RO43BACX0000000030565310 HVB sucursala Grigore Mora  
BUCURESTI; Capital Social: 139.400.000.000 ROL (13.940.000 RON)





