

1 Specifications

8-14HP

Table 2-1.1: 8-14HP specifications

HP		8		10		12		14	
Model name		MV6-i252WV2GN1-E		MV6-i280WV2GN1-E		MV6-i335WV2GN1-E		MV6-i400WV2GN1-E	
Power supply		V/Ph/Hz	380-415/3/50						
Cooling ¹	Capacity	kW	25.2	28.0	33.5	40.0			
		kBtu/h	86.0	95.5	114.3	136.5			
	Power input	kW	5.5	6.7	8.9	11.0			
	EER			4.55	4.20	3.75	3.65		
Heating ²	Capacity	kW	25.2	28.0	33.5	40.0			
		kBtu/h	86.0	95.5	114.3	136.5			
	Power input	kW	4.8	5.5	7.6	9.3			
	COP			5.20	5.10	4.40	4.30		
Connected indoor unit	Total capacity		50-130% of outdoor unit capacity						
	Maximum quantity		13	16	20	23			
Compressor	Type		DC inverter						
	Quantity		1						
	Oil type		FV68H						
	Start-up method		Soft start						
Fan	Type		Propeller						
	Motor type		DC						
	Quantity		1						
	Motor output	kW	0.56	0.56	0.56	0.92			
	Airflow rate	m ³ /h	11000	11000	11000	13000			
	Drive type		Direct						
Refrigerant	Type		R410A						
	Factory charge	kg	11	11	11	13			
Pipe connections ³	Liquid pipe	mm	Φ12.7			Φ15.9	Φ15.9		
	Gas pipe	mm	Φ25.4			Φ28.6	Φ31.8		
Sound pressure level ⁴		dB(A)	58			60	62		
Sound power level		dB(A)	78			81	85		
Net dimensions (W×H×D)		mm	990×1635×790				1340×1635×850		
Packed dimensions (W×H×D)		mm	1090×1805×860				1405×1805×910		
Net weight		kg	227				277		
Gross weight		kg	242				304		
Ambient temp. operation range	Cooling	°C	-5 ~ 48						
	Heating	°C	-25 ~ 24						

Notes:

- Indoor air temperature 27°C DB, 19°C WB; outdoor air temperature 35°C DB; equivalent refrigerant piping length 7.5m with zero level difference.
- Indoor air temperature 20°C DB; outdoor air temperature 7°C DB, 6°C WB; equivalent refrigerant piping length 7.5m with zero level difference.
- Diameters given are those of the unit's stop valve.
- Sound pressure level is measured at a position 1m in front of the unit and 1.3m above the floor in a semi-anechoic chamber.

16-22HP

Table 2-1.2: 16-22HP specifications

HP			16	18	20	22
Model name			MV6-i450WV2GN1-E	MV6-i500WV2GN1-E	MV6-i560WV2GN1-E	MV6-i615WV2GN1-E
Power supply		V/Ph/Hz	380-415/3/50			
Cooling ¹	Capacity	kW	45.0	50.0	56.0	61.5
		kBtu/h	153.5	170.6	191.1	209.8
	Power input	kW	12.9	14.7	16.0	20.2
	EER			3.50	3.40	3.50
Heating ²	Capacity	kW	45.0	50.0	56.0	61.5
		kBtu/h	153.5	170.6	191.1	209.8
	Power input	kW	10.7	12.2	13.8	17.6
	COP			4.20	4.10	4.05
Connected indoor unit	Total capacity		50-130% of outdoor unit capacity			
	Maximum quantity		26	29	33	36
Compressor	Type		DC inverter			
	Quantity		1		2	
	Oil type		FV68H			
	Start-up method		Soft start			
Fan	Type		Propeller			
	Motor type		DC			
	Quantity		1		2	
	Motor output	kW	0.92	0.92	0.56×2	0.56×2
	Airflow rate	m ³ /h	13000	13000	17000	17000
	Drive type		Direct			
Refrigerant	Type		R410A			
	Factory charge	kg	13	13	17	17
Pipe connections ³	Liquid pipe	mm	Φ15.9		Φ19.1	
	Gas pipe	mm	Φ31.8		Φ31.8	
Sound pressure level ⁴		dB(A)	65		66	
Sound power level		dB(A)	88			
Net dimensions (W×H×D)		mm	1340×1635×850		1340×1635×825	
Packed dimensions (W×H×D)		mm	1405×1805×910			
Net weight		kg	277	295	344	344
Gross weight		kg	304	322	364	364
Ambient temp. operation range	Cooling	°C	-5 ~ 48			
	Heating	°C	-25 ~ 24			

Notes:

- Indoor air temperature 27°C DB, 19°C WB; outdoor air temperature 35°C DB; equivalent refrigerant piping length 7.5m with zero level difference.
- Indoor air temperature 20°C DB; outdoor air temperature 7°C DB, 6°C WB; equivalent refrigerant piping length 7.5m with zero level difference.
- Diameters given are those of the unit's stop valve.
- Sound pressure level is measured at a position 1m in front of the unit and 1.3m above the floor in a semi-anechoic chamber.

V6-i VRF 50Hz



24-32HP

Table 2-1.3: 24-32HP specifications

HP			24	26	28	30	32
Model name			MV6-i670WV2GN1-E	MV6-i730WV2GN1-E	MV6-i785WV2GN1-E	MV6-i850WV2GN1-E	MV6-i900WV2GN1-E
Power supply		V/Ph/Hz	380-415/3/50				
Cooling ¹	Capacity	kW	67.0	73.0	78.5	85.0	90.0
		kBtu/h	228.6	249.1	267.8	290.0	307.1
	Power input	kW	21.6	21.6	24.9	28.3	32.1
	EER			3.10	3.40	3.15	3.00
Heating ²	Capacity	kW	67.0	73.0	78.5	85.0	90.0
		kBtu/h	228.6	249.1	267.8	290.0	307.1
	Power input	kW	16.8	18.1	21.8	24.3	26.5
	COP			4.00	4.05	3.60	3.50
Connected indoor unit	Total capacity		50-130% of outdoor unit capacity				
	Maximum quantity		39	43	46	50	53
Compressor	Type		DC inverter				
	Quantity		2				
	Oil type		FV68H				
	Start-up method		Soft start				
Fan	Type		Propeller				
	Motor type		DC				
	Quantity		2				
	Motor output	kW	0.92×2	0.92×2	0.92×2	0.92×2	0.92×2
	Airflow rate	m ³ /h	25000	25000	25000	24000	24000
	Drive type		Direct				
Refrigerant	Type		R410A				
	Factory charge	kg	22	22	22	25	25
Pipe connections ³	Liquid pipe	mm	Φ19.1	Φ22.2		Φ22.2	
	Gas pipe	mm	Φ31.8	Φ31.8		Φ38.1	
Sound pressure level ⁴		dB(A)	67	68			
Sound power level		dB(A)	89	90			
Net dimensions (W×H×D)		mm	1730×1830×850				
Packed dimensions (W×H×D)		mm	1800×2000×910				
Net weight		kg	407	429		475	
Gross weight		kg	430	452		507	
Ambient temp. operation range	Cooling	°C	-5 ~ 48				
	Heating	°C	-25 ~ 24				

Notes:

- Indoor air temperature 27°C DB, 19°C WB; outdoor air temperature 35°C DB; equivalent refrigerant piping length 7.5m with zero level difference.
- Indoor air temperature 20°C DB; outdoor air temperature 7°C DB, 6°C WB; equivalent refrigerant piping length 7.5m with zero level difference.
- Diameters given are those of the unit's stop valve.
- Sound pressure level is measured at a position 1m in front of the unit and 1.3m above the floor in a semi-anechoic chamber.

2 Dimensions

8/10/12HP

Figure 2-2.1: 8/10/12 dimensions (unit: mm)

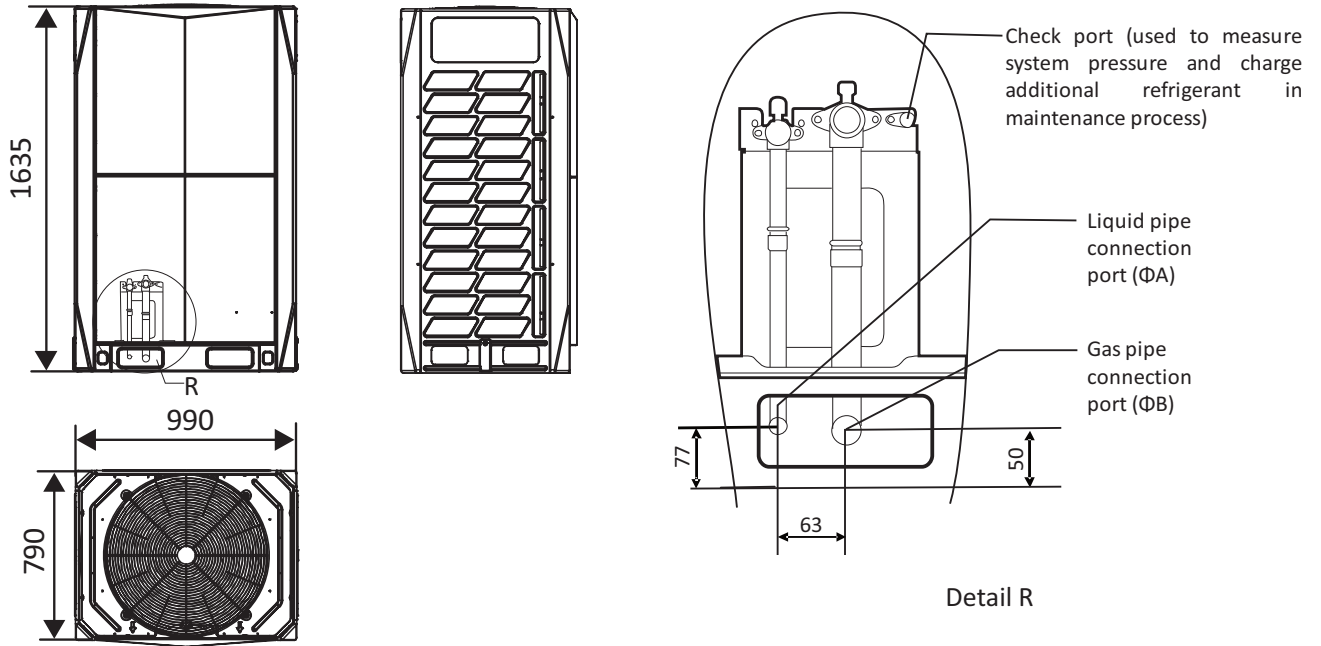


Table 2-2.1: 8/10/12HP connection piping diameter (unit: mm)

Size	8HP	10HP	12HP
A	Φ12.7	Φ12.7	Φ15.9
B	Φ25.4	Φ25.4	Φ28.6

V6-i VRF 50Hz



14/16/18HP

Figure 2-2.2: 14/16/18HP dimensions (unit: mm)

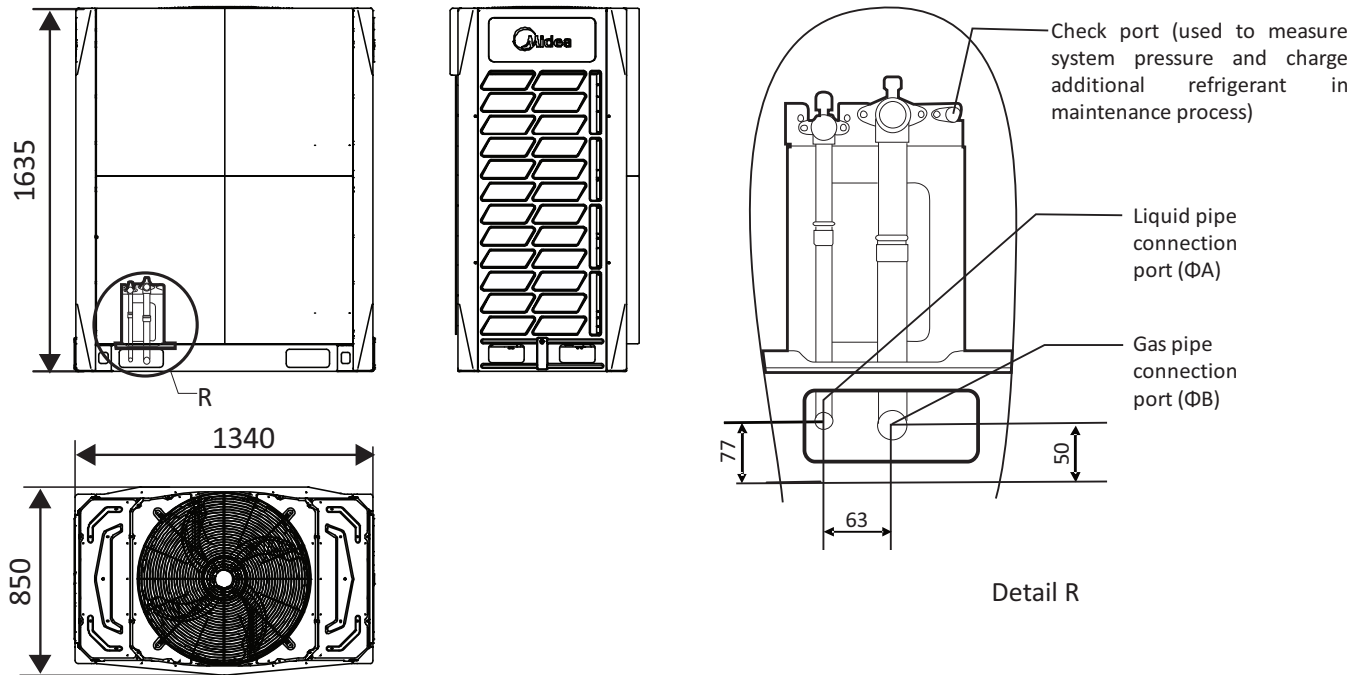


Table 2-2.2: 14/16/18HP connection piping diameter (unit: mm)

Size	14HP	16HP	18HP
A	Φ15.9	Φ15.9	Φ19.1
B	Φ31.8	Φ31.8	Φ31.8

20/22HP

Figure 2-2.3: 20/22HP dimensions (unit: mm)

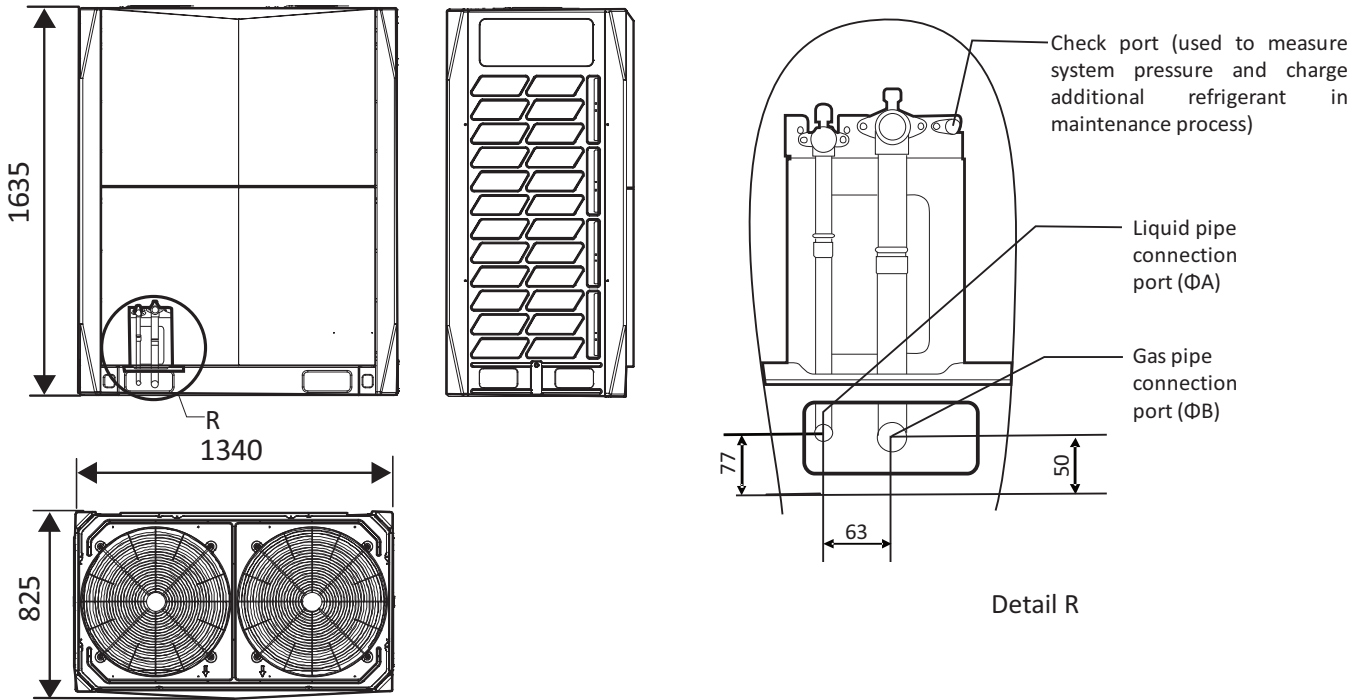


Table 2-2.3: 20/22HP connection piping diameter (unit: mm)

Size	20HP	22HP
A	Φ19.1	Φ19.1
B	Φ31.8	Φ31.8

V6-i VRF 50Hz



24/26/28/30/32HP

Figure 2-2.4: 24/26/28/30/32HP dimensions (unit: mm)

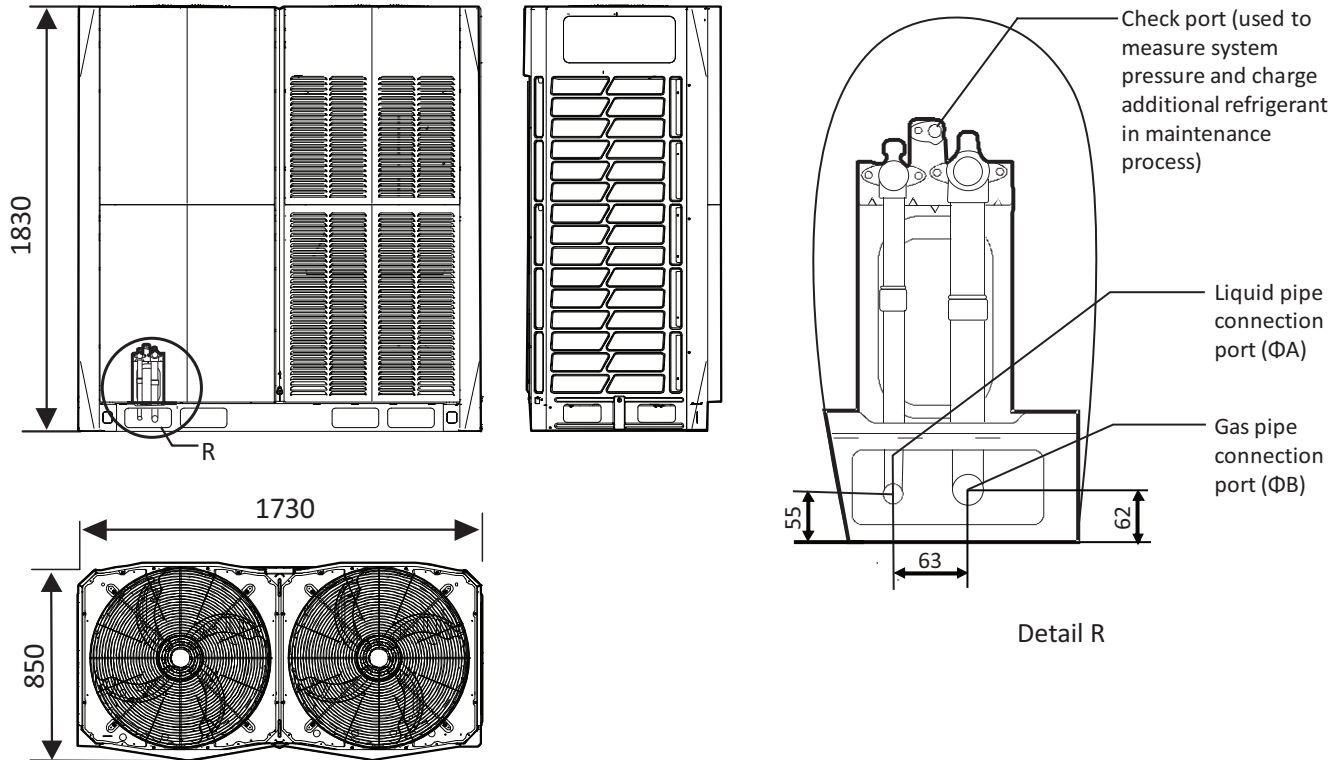


Table 2-2.4: 24/26/28/30/32HP connection piping diameter (unit: mm)

Size	24HP	26HP	28HP	30HP	32HP
A	Φ19.1	Φ22.2	Φ22.2	Φ22.2	Φ22.2
B	Φ31.8	Φ31.8	Φ31.8	Φ38.1	Φ38.1