

### 3. Specifications

#### (1) Basic specifications

Model		AHUKZ-01B	AHUKZ-02B	AHUKZ-03B
Power supply		220-240V~ 50Hz; 208-230V~ 60Hz		
Indoor unit capacity	kW	9~20	20~36	36~56
IP-class		IPX0	IPX0	IPX0
Piping size (in/out)	mm	Φ8/Φ8	Φ12.7/Φ12.7	Φ16/Φ16
Dimension	mm	375×350×150		
Packing dimension	mm	490×240×420		

#### (2) Match table

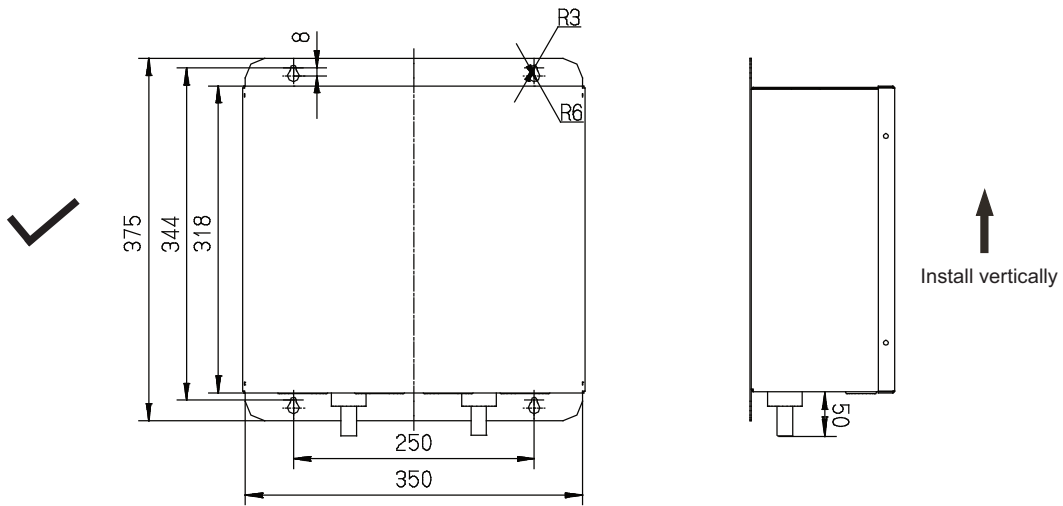
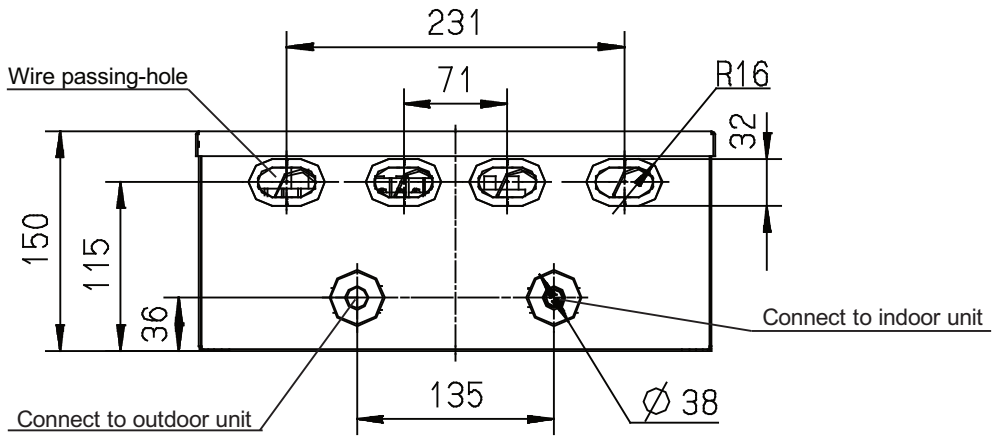
Model	Setting cooling capacity(HP)	Indoor unit capacity(kW)	DX Coil Volume dm <sup>3</sup> (min-max)	Reference air volume(m <sup>3</sup> /h)
AHUKZ-01B	3.2	9~11.2	1.7~2.1	1400
	4	11.2~14	2.1~2.6	1700
	5	14~18	2.6~3.3	2100
	6	18~20	3.3~3.7	2700
AHUKZ-02B	8	20~25	3.7~4.6	3000
	10	25~30	4.6~5.5	3700
	12	30~36	5.5~6.6	4500
AHUKZ-03B	14	36~40	6.6~7.4	5400
	16	40~45	7.4~8.3	6000
	18	45~50	8.3~9.2	6700
	20	50~56	9.2~10.3	7500

Note: This DX AHU box can be controlled by MIDEA controller and SIEMENS controller. If choose to use MIDEA controller, operate the wire controller to determine its location in a reception range.

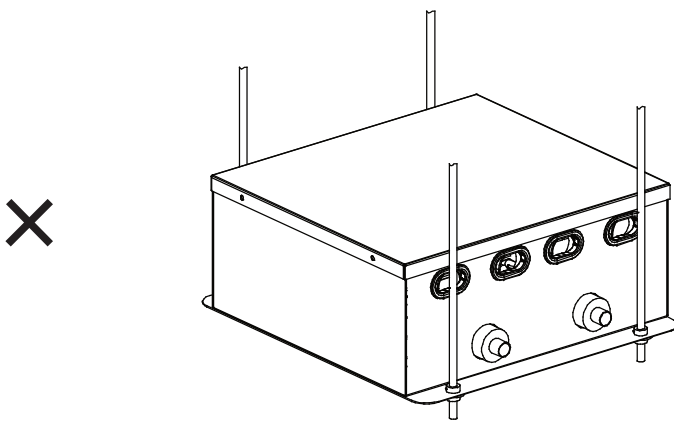
### 4. Dimensions

AHUKZ-01B AHUKZ-02B AHUKZ-03B

Unit: in(mm)



Installation method : Hanging



Wrong installation way

Note:

If AHU control box is located in outdoor conditions, must be protected from rain & wind.