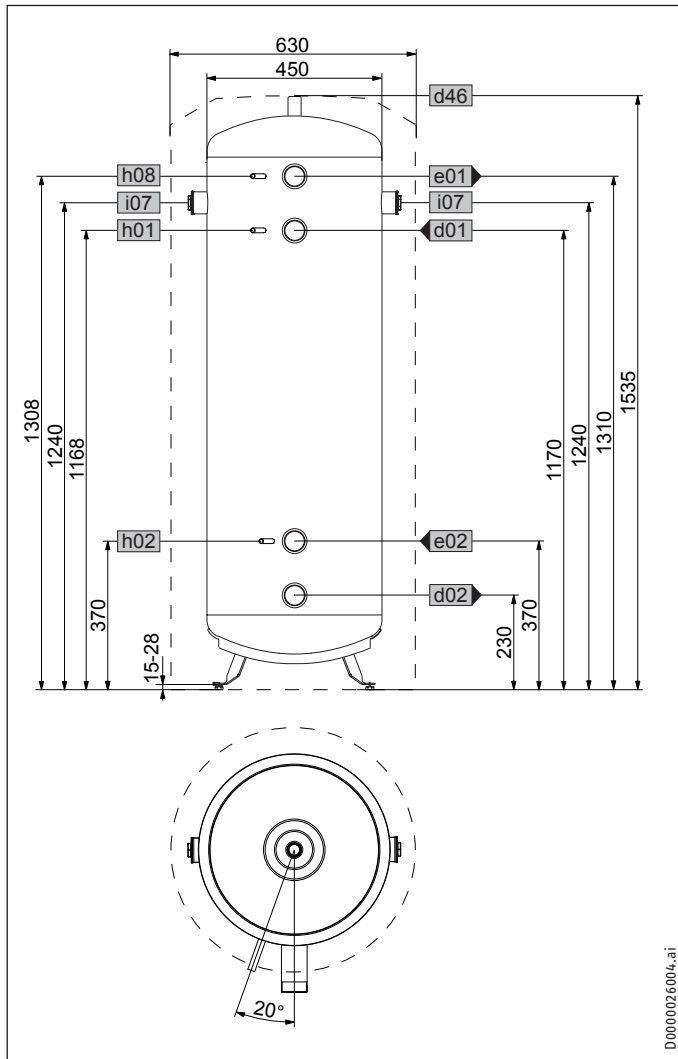


## 10. Technische Daten

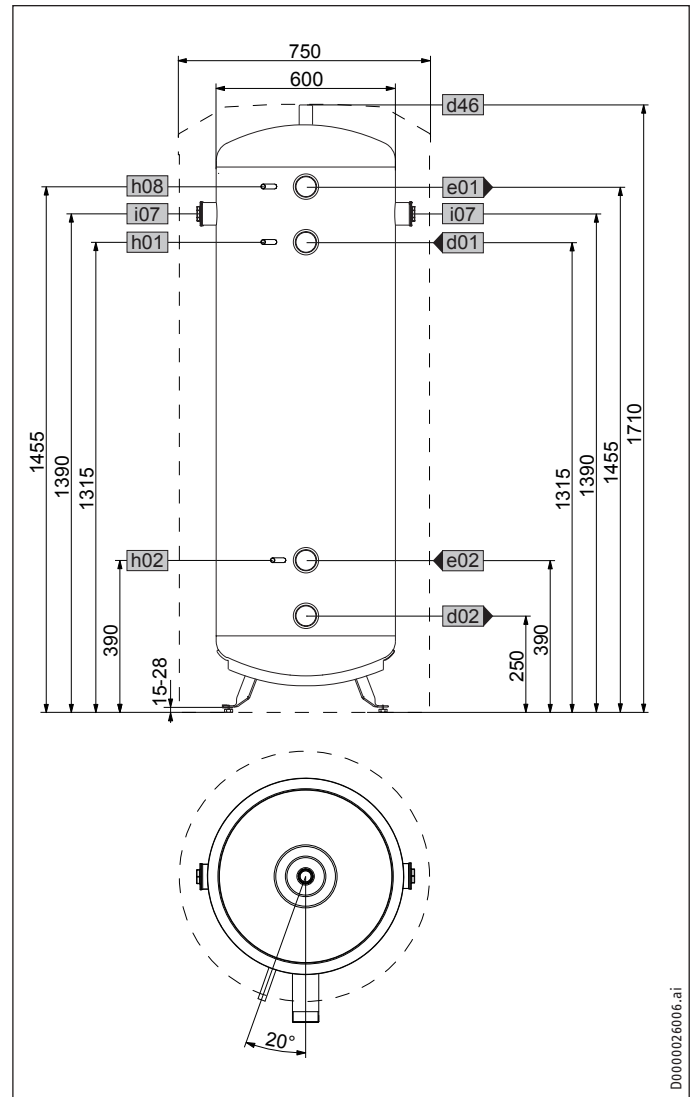
### 10.1 Dimensions and connections

#### SBP 200 E | SBP 200 E cool



			SBP 200 E	SBP 200 E cool
d01	Heat pump flow	Male thread	G 2 A	G 2 A
d02	Heat pump return	Male thread	G 2 A	G 2 A
d46	Ventilation	Female thread	G 3/4	G 3/4
e01	Heating flow	Male thread	G 2 A	G 2 A
e02	Heating return	Male thread	G 2 A	G 2 A
h01	Sensor heat pump flow	Diameter	mm 9.5	9.5
h02	Sensor heat pump return	Diameter	mm 9.5	9.5
h08	Sensor heat pump cooling	Diameter	mm 9.5	9.5
i07	Electric emergency/booster heater	Female thread	G 1 1/2	G 1 1/2

#### SBP 400 E | SBP 400 E cool

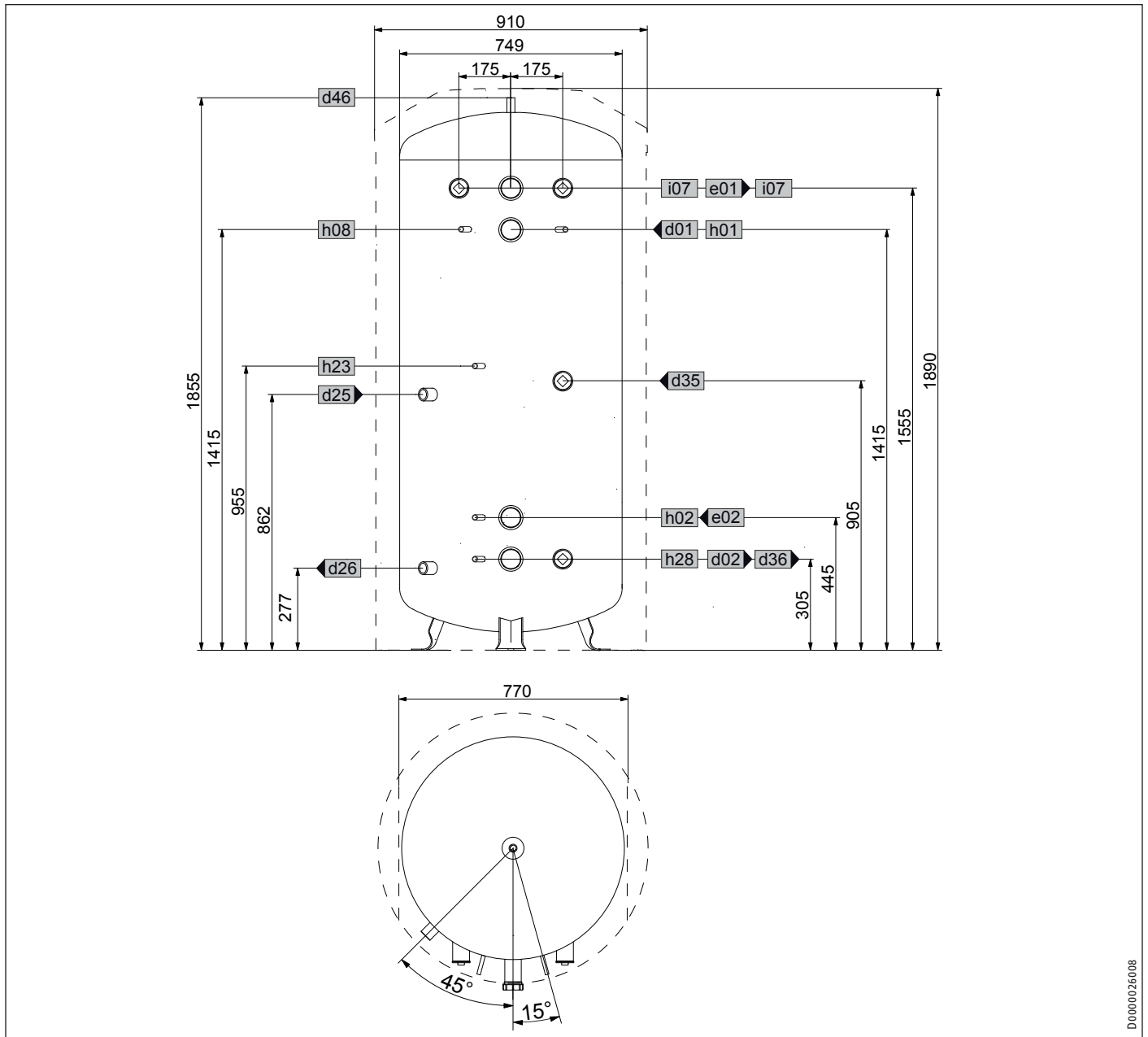


			SBP 400 E	SBP 400 E cool
d01	Heat pump flow	Male thread	G 2 A	G 2 A
d02	Heat pump return	Male thread	G 2 A	G 2 A
d46	Ventilation	Female thread	G 3/4	G 3/4
e01	Heating flow	Male thread	G 2 A	G 2 A
e02	Heating return	Male thread	G 2 A	G 2 A
h01	Sensor heat pump flow	Diameter	mm 9.5	9.5
h02	Sensor heat pump return	Diameter	mm 9.5	9.5
h08	Sensor heat pump cooling	Diameter	mm 9.5	9.5
i07	Electric emergency/booster heater	Female thread	G 1 1/2	G 1 1/2

# INSTALLATION

## Technische Daten

### SBP 700 E | SBP 700 E SOL



ENGLISH

D/00000126008

			SBP 700 E	SBP 700 E SOL
a23	Appliance	Width excl. side insulation sections	770	770
d01	Heat pump flow	Male thread	G 2 A	G 2 A
d02	Heat pump return	Male thread	G 2 A	G 2 A
d25	Solar flow	Female thread		G 1
d26	Solar return	Female thread		G 1
d35	Heat source flow optional	Female thread	G 1 1/2	G 1 1/2
d36	Heat source return optional	Female thread	G 1 1/2	G 1 1/2
d46	Ventilation	Female thread	G 3/4	G 3/4
e01	Heating flow	Male thread	G 2 A	G 2 A
e02	Heating return	Male thread	G 2 A	G 2 A
h01	Sensor heat pump flow	Diameter	9.5	9.5
h02	Sensor heat pump return	Diameter	9.5	9.5
h08	Sensor heat pump cooling	Diameter	9.5	9.5
h23	Sensor heat source optional	Diameter	9.5	9.5
h28	Sensor solar cylinder	Diameter		9.5
i07	Electric emergency/booster heater	Female thread	G 1 1/2	G 1 1/2

## 10.2 Details on energy consumption

The product data complies with EU regulations relating to the Directive on the ecological design of energy related products (ErP).

		SBP 200 E	SBP 200 E cool	SBP 400 E	SBP 400 E cool	SBP 700 E	SBP 700 E SOL
		185458	227590	220824	227591	185459	185460
Manufacturer		STIEBEL ELTRON	STIEBEL ELTRON	STIEBEL ELTRON	STIEBEL ELTRON	STIEBEL ELTRON	STIEBEL ELTRON
Energy efficiency class		C	B	C	B		
Standby losses	W	67	46	83	66	91	91
Cylinder capacity	l	207	207	415	415	720	716

## 10.3 Data table

		SBP 200 E	SBP 200 E cool	SBP 400 E	SBP 400 E cool	SBP 700 E	SBP 700 E SOL
		185458	227590	220824	227591	185459	185460
<b>Hydraulic data</b>							
Nominal capacity	l	207	207	415	415	720	703
Capacity, lower indirect coil	l						12.2
Surface area, lower indirect coil	m <sup>2</sup>						2
Pressure drop at 1.0 m <sup>3</sup> /h, lower indirect coil	hPa						28
<b>Application limits</b>							
Max. permissible pressure	MPa	0.3	0.3	0.3	0.3	0.3	0.3
Test pressure	MPa	0.45	0.45	0.45	0.45	0.45	0.45
Maximum charge / discharge flow rate	m <sup>3</sup> /h	1.6	1.6	3.1	3.1	5.5	5.5
Max. permissible temperature	°C	95	95	95	95	95	95
Max. recommended collector aperture area	m <sup>2</sup>						14
<b>Energy data</b>							
Standby energy consumption/24 h at 65 °C	kWh	1.6	1.1	2.0	1.6	2.2	2.2
Energy efficiency class		C	B	C	B		
<b>Dimensions</b>							
Height	mm	1535	1535	1710	1710	1890	1890
Diameter	mm	630	630	750	750	910	910
Height when tilted	mm	1650	1650	1800	1800	2000	2000
<b>Weights</b>							
Weight, full	kg	256	258	479	481	885	902
Weight, empty	kg	56	58	79	81	185	216

## Guarantee

The guarantee conditions of our German companies do not apply to appliances acquired outside of Germany. In countries where our subsidiaries sell our products a guarantee can only be issued by those subsidiaries. Such guarantee is only granted if the subsidiary has issued its own terms of guarantee. No other guarantee will be granted.

We shall not provide any guarantee for appliances acquired in countries where we have no subsidiary to sell our products. This will not affect warranties issued by any importers.

## Environment and recycling

We would ask you to help protect the environment. After use, dispose of the various materials in accordance with national regulations.