

This manual primarily concerns the installation and connection of the boiler connection.

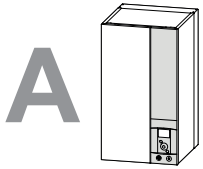
Please refer to the technical manuals for the heat pump and the boiler for how to install and configure these units.

EN

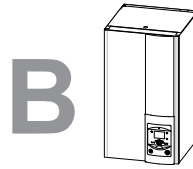
INSTALLATION

Boiler connection kit (073989)

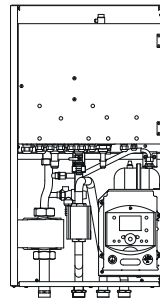
For heat pump, Split single service



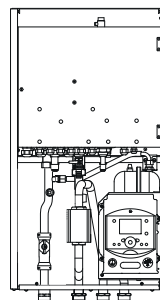
A Alfea extensa A.I.
Alfea excellia A.I.
Alfea extensa A.I. R32



B Alfea extensa +
Alfea excellia
Aur ea



Alfea extensa +
Alfea excellia



Aur ea
The circulation pump is in the
outdoor unit.

Contents

Q	Description of the equipment	3
	Package	3
	Specifications	3
	Scope of application	3
	Description	4
	Operating principle	5
⚙	Installation instructions	6
	Hydraulic connections	6
	Electrical connections	8
	Pre-utilization check	9
💧	Overall hydraulic layout	11
	Boiler configuration - Unregulated boiler	12
	Boiler configuration - Regulated boiler	13
⇄	Spare parts	14

Q Description of the equipment

► Package

• **1 package:** Boiler connection kit.

On reception, before you fit anything, it is essential that you check the parts received and search for any damage caused during transport.

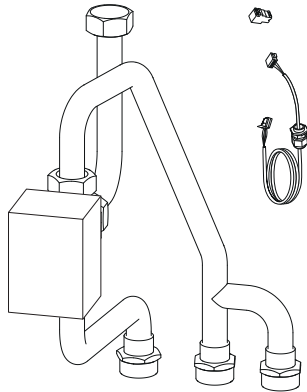


fig. 1 - Presentation of the boiler connection kit

► Scope of application

The connection of an oil or gas boiler to the heat pump requires the installation of the boiler connection kit.

This corresponds to the preset configurations :

- **(A)** - Alfea extensa A.I. (R32), Alfea excellia A.I. :

Boiler connection (Installed options)

- **(B)** - Alfea extensa +, Alfea excellia :

3 or 4 of parameter 5700 to be set on the hydraulic module's regulator.

- Aurea :

parameter 5891 to be set on **30** and

parameter 5892 to be set on **39** on the hydraulic module's regulator.

► Specifications

Power absorbed	W	< 25
Maximum operating pressure	bar	3
Supply voltage	230V - 50Hz
Boiler connection diameter	mm	26x34
Flow/return diameter (male)	mm	26x34
Weightkg	2.4

► Description

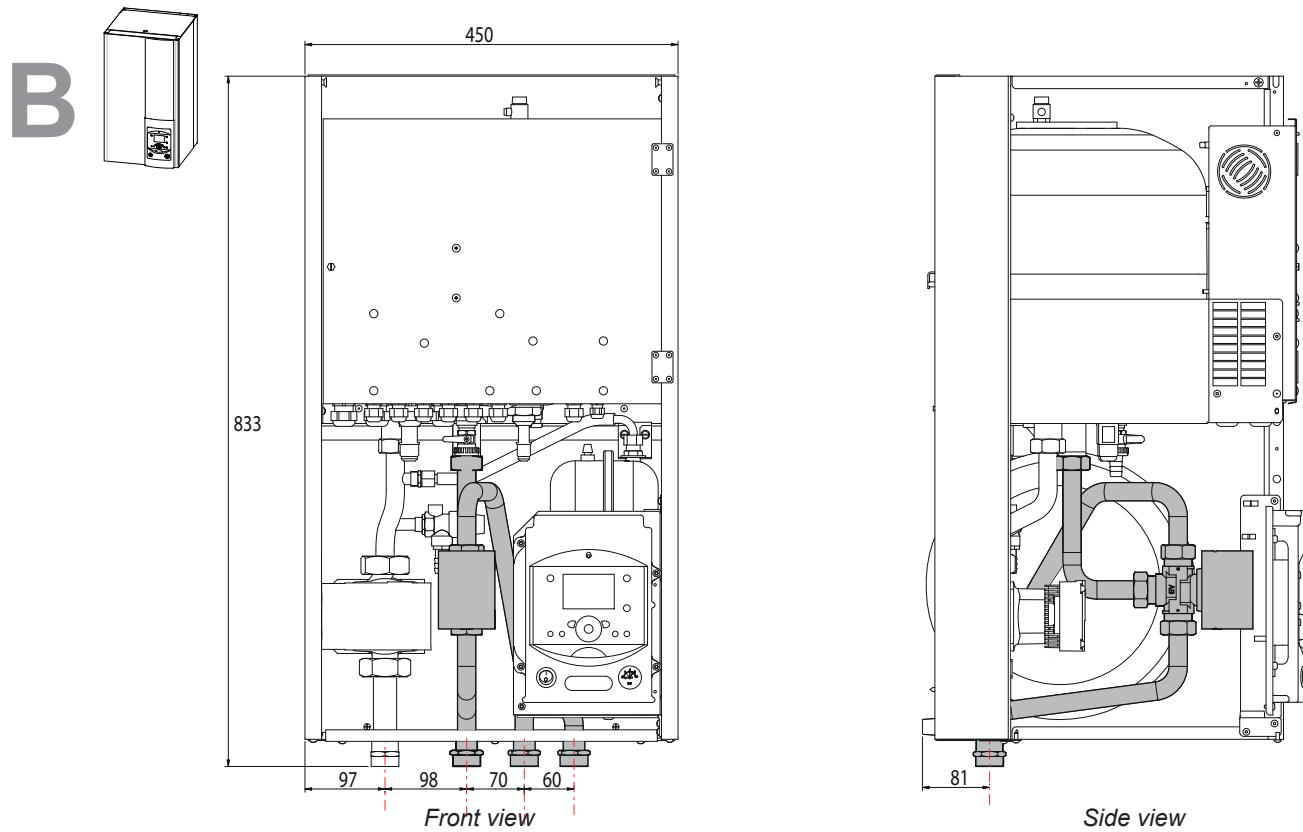
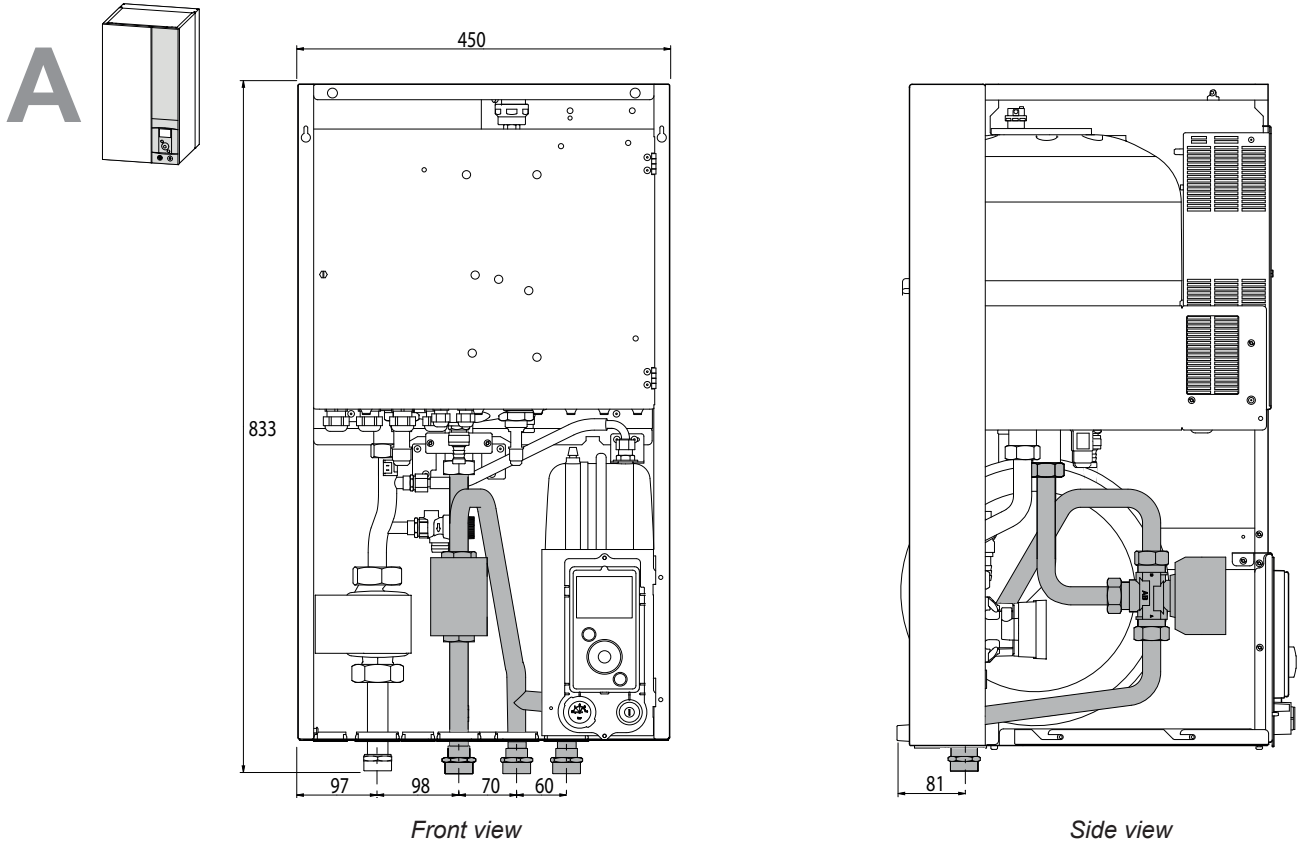


fig. 2 - Dimensions in mm (Hydraulic unit + Boiler connection kit)

► Operating principle

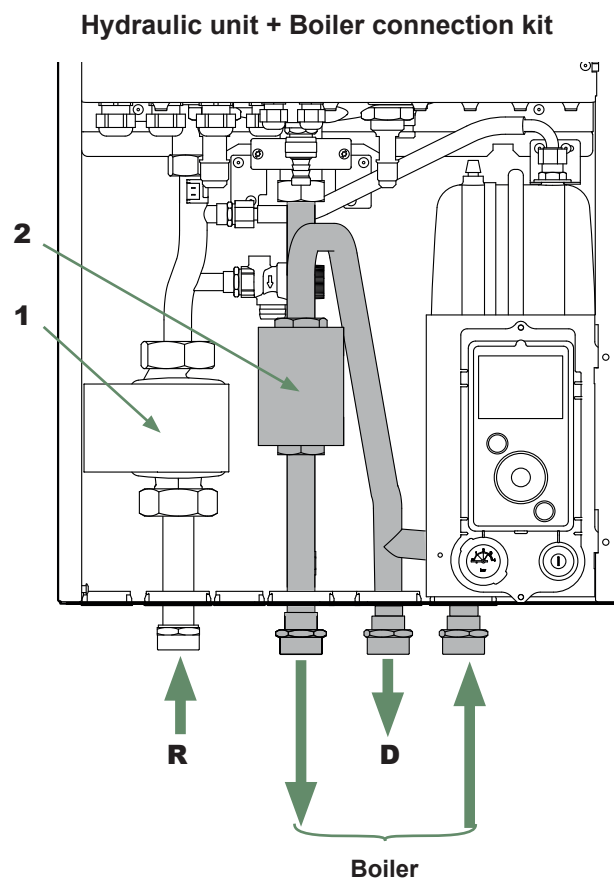
When the heat pump cannot supply the amount of energy required, the 3-way distribution valve shunts the circuit through the boiler to provide additional energy.

The heat pump can be prevented from operating and the boiler forced to operate by means of control contact EX1 (bypass).



The installation a boiler connection kit is not compatible with the use of an electrical backup kit.

Please refer to the manual provided with the heat pump.



Legend:

1 - Heating circulation pump*

D - Facility flow

2 - Distribution valve

R - Facility return

* without Auréa

fig. 3 - Appliance devices

Installation instructions

i The installation of the boiler connection kit depends on the configuration of your facility (see page 10 & 11).

► Hydraulic connections

The connection must comply with good trade practice according to local building regulations.

Tightening torque: 15 to 35 Nm.

The appliance must be connected to the installation with union connectors and shut-off valves to facilitate its removal.

Reminder: Seal everything when fitting in accordance with prevailing trade practice for plumbing work:

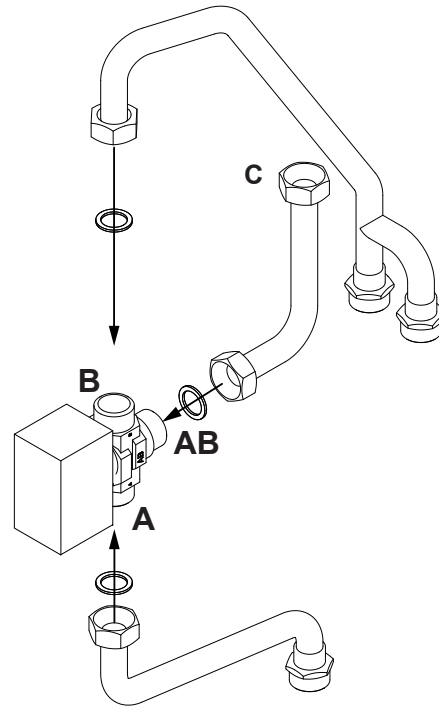
- Use suitable seals (fibre seals, o-rings).
- Use Teflon tape or hemp.
- Use sealing paste (synthetic depending on the case)

▼ Fitting the boiler connection kit

! Carefully comply with the direction for fitting the distribution valve.

- A** : way A open: heat pump operating alone.
- B** : way B open: heat pump + boiler operating.

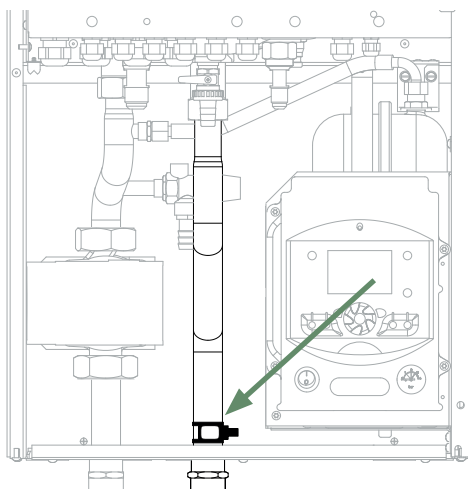
- 1** - Remove the "pipe support" of the HP [(B) only].
 - Remove the heating flow sensor from the flow pipe.
- 2** - Remove and suppress the HP flow pipe.
- 3** - Apply the hydraulic circuit marking label.
 - Remove cable grommet [(A) only].
- 4** - Install the connection kit on the HP.
 - **Fix the flow sensor** on the facility's flow pipe (see fig. 5).
- 5** - Fitting the "pipe support" [(B) only].
 - Reassemble cable grommet [(A) only].



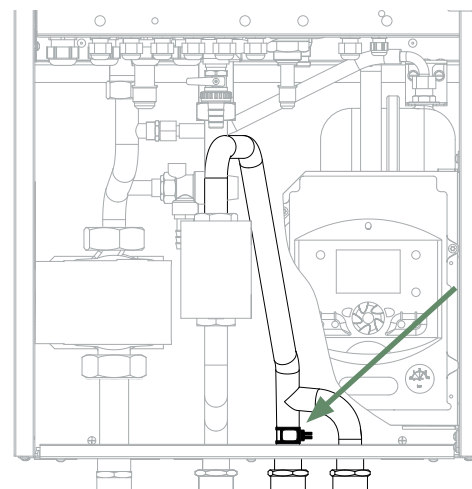
A, B, AB Distribution valve orientation.
C Hydraulic unit connection.

fig. 4 - Fitting the boiler connection kit

Good contact must be maintained between the heating flow sensor and the pipework. The contact surface between the piping and the sensor should be free of rust and paint.



Flow temperature sensor on the HP...



...with boiler connection kit

fig. 5 - Position of the flow temperature sensor

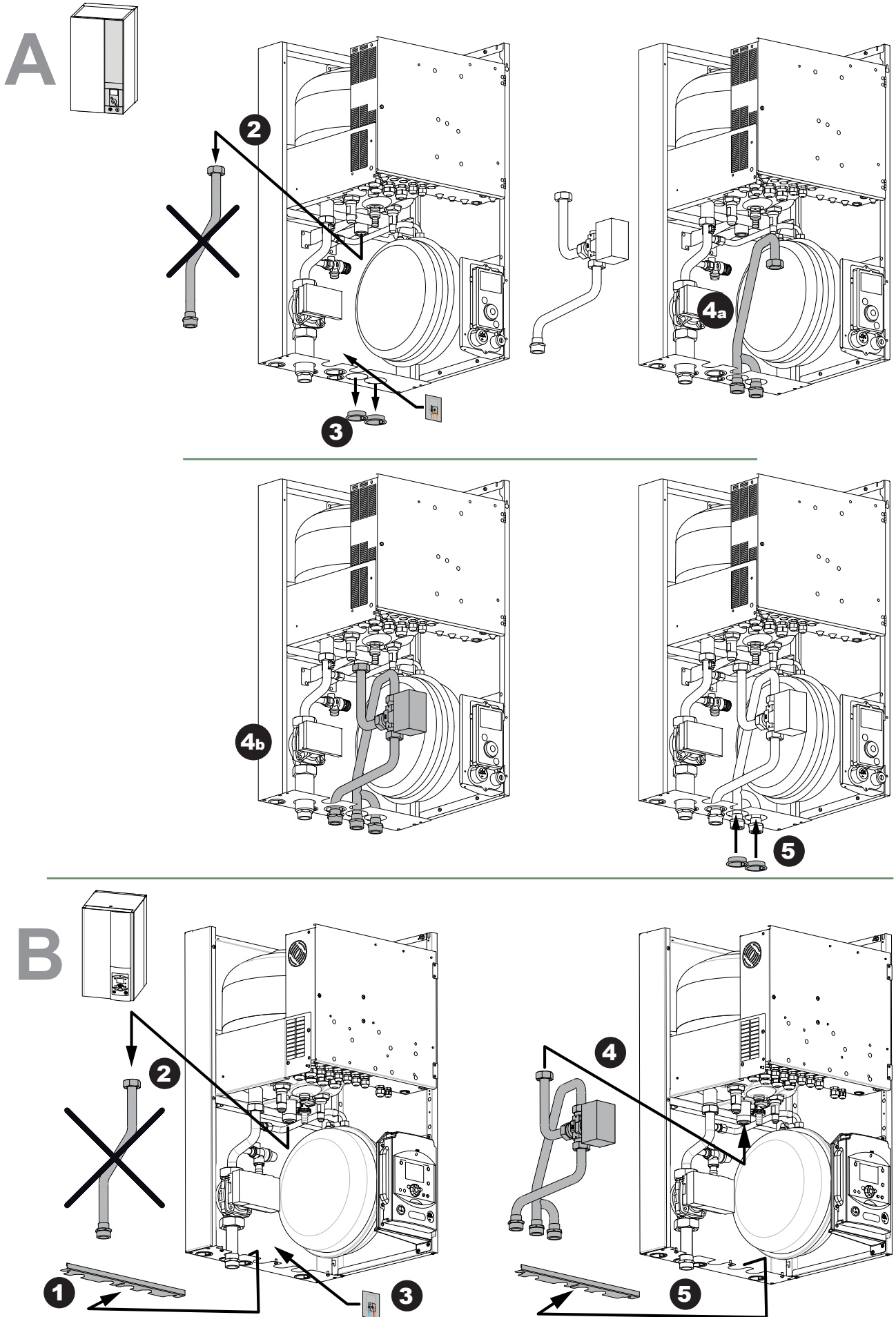


fig. 7 - Montage du kit relève chaudière sur le module hydraulique

► Electrical connections



Ensure that the general electrical power supply has been cut off before starting any repair work.



The electrical installation must be conducted in accordance with the prevailing regulations.

The electrical connections must only be made when all the other fitting operations have been completed (fixing, assembly, etc.).

Remark: In the case of a heated floor, insert the floor heating thermal safety device between the X12 connector and the floor heating circulation pump.

Make the following connections:

- **6** - Disconnect the X13 and X14 connectors (single phase electrical back-up, see *fig. 8*).
- **7** - Disconnect the X82 connector (3-phase electrical back-up, see *fig. 9*).
- **8** - Disconnect or not connect the power supply of the electric back-up.

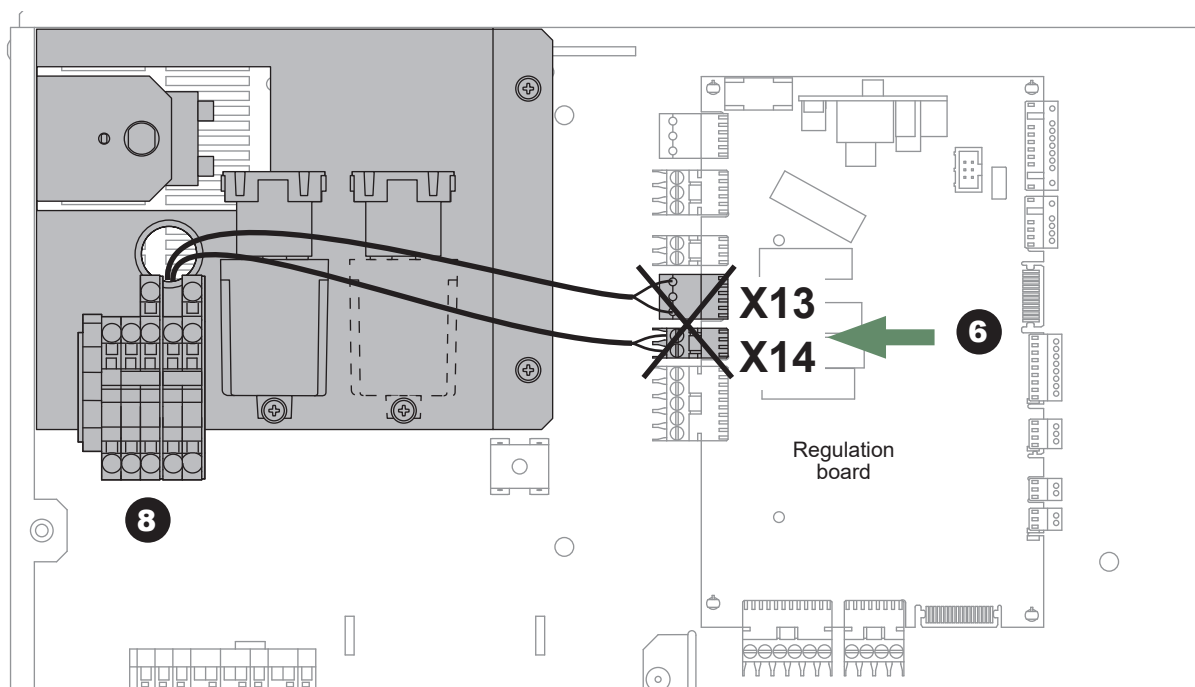


fig. 8 - Disconnection of the single phase electrical back-up

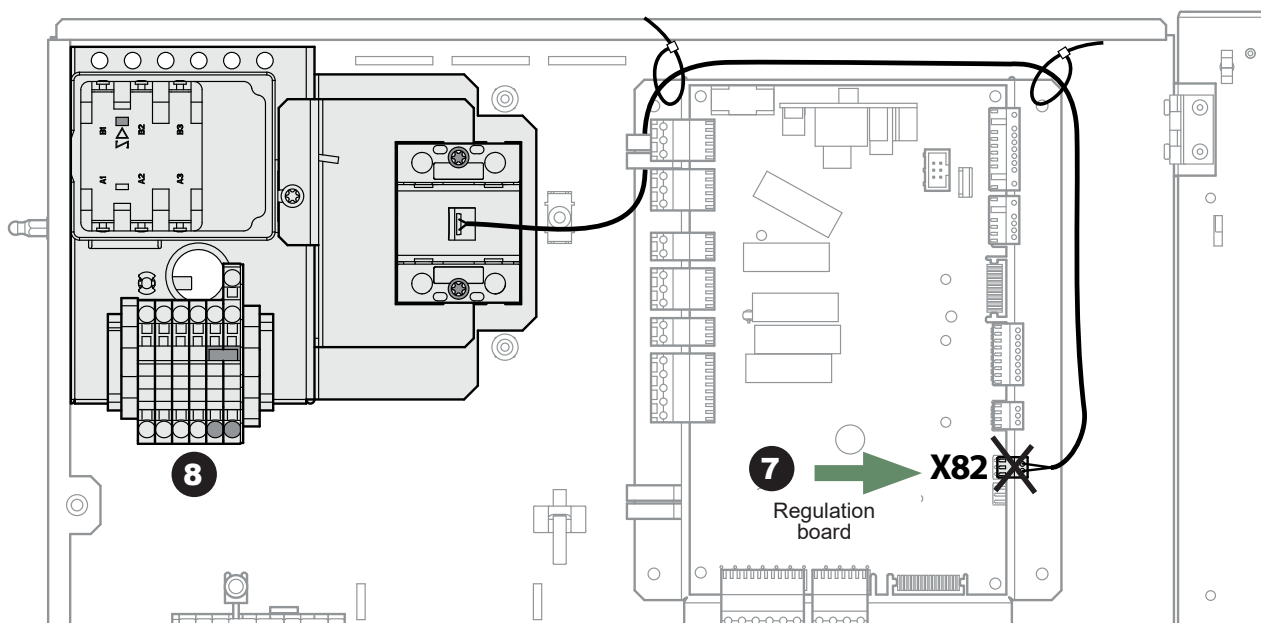


fig. 9 - Disconnection of the 3-phase electrical back-up

- **9** - Distribution valve (deviation boiler) on the **X13** connector.
- **10** - Connect the boiler control to the **X14** connector. Please refer to the instructions supplied with the boiler.
- **()** - Stick the label of wiring inside the front plate of the hydraulic unit.

► Pre-utilization check

- Please refer to the manual provided with the heat pump.
- Please refer to the instructions supplied with the boiler.

▼ Boiler connection operating test

The distribution valve of the boiler connection and of the boiler can be engaged by setting:

- Alfea extensa A.I. (R32), Alfea excellia A.I. (A) :
Auxiliary functions / Test mode / Relay test
==> Boiler connection On/Stop.
- Alfea extensa +, Alfea excellia, Auréa (B) :
the Emergency operation = "On"
(parameter 95 to 1 or parameter 7141 to "On").



Do not forget to reset the parameter to 0 (Off) after the test.

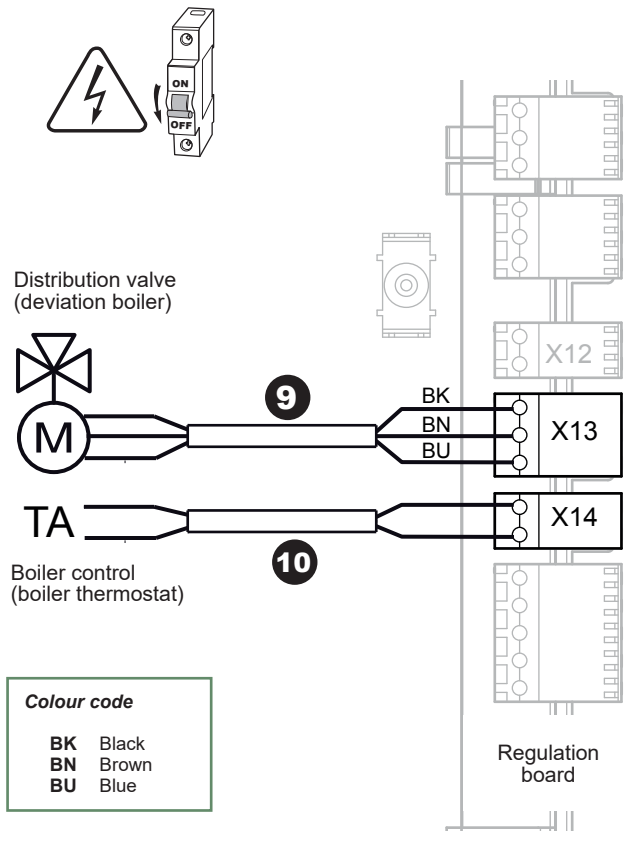


fig. 10 - Electrical wiring (Boiler connection kit)

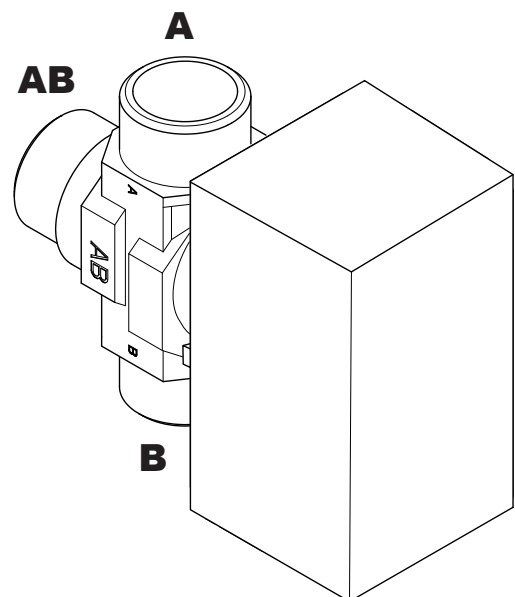


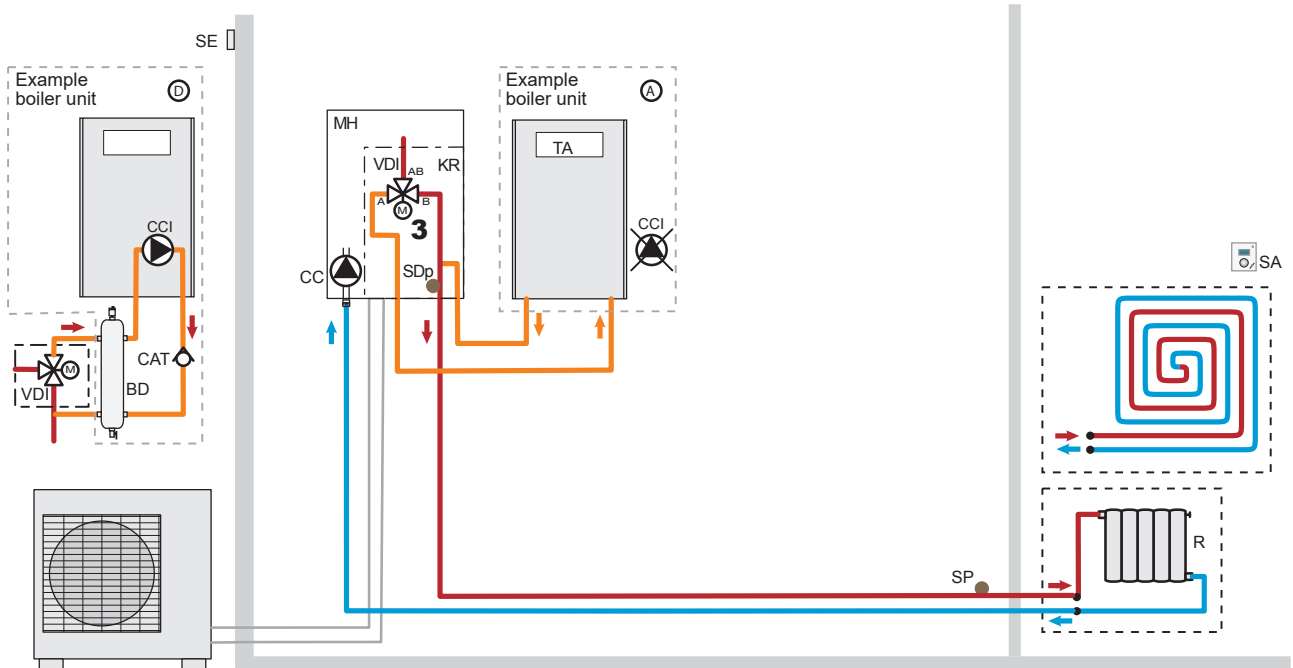
fig. 11 - Distribution valve



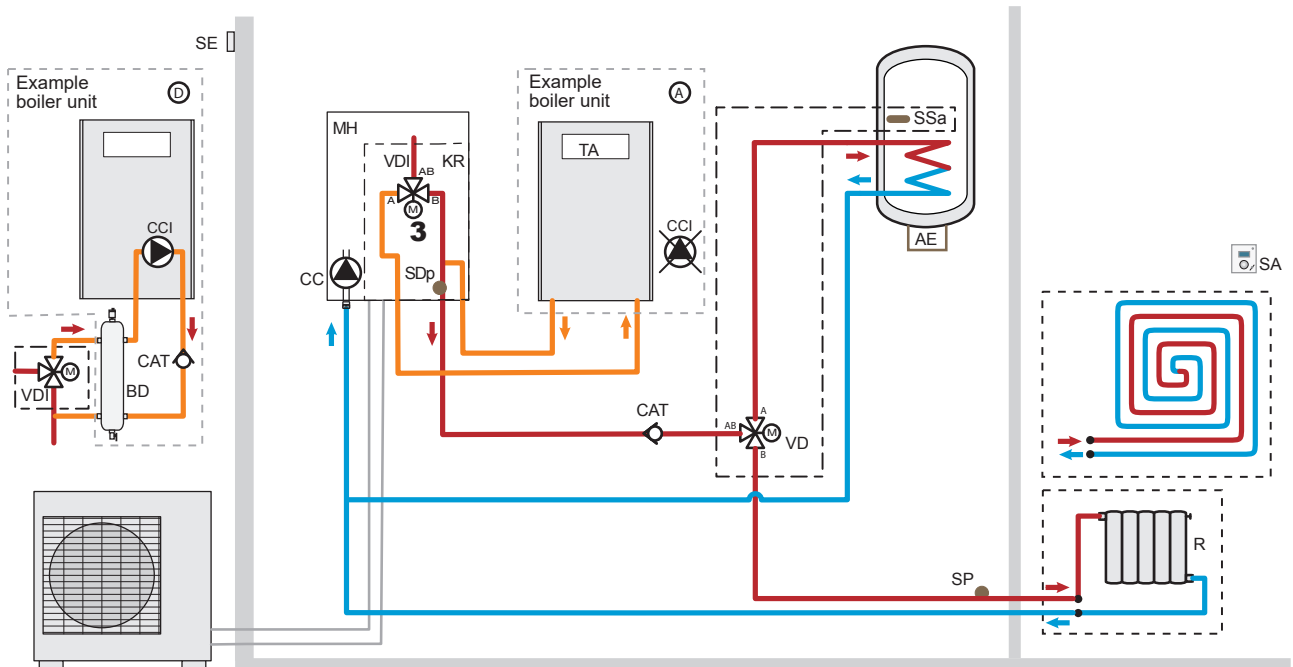
A series of horizontal dotted lines spanning the width of the page, providing a guide for handwriting practice.

Overall hydraulic layout

Installation configuration 3 :Boiler connection and 1 heating circuit



Installation configuration 3 :Boiler connection, 1 heating circuit and DHW tank



Legend:

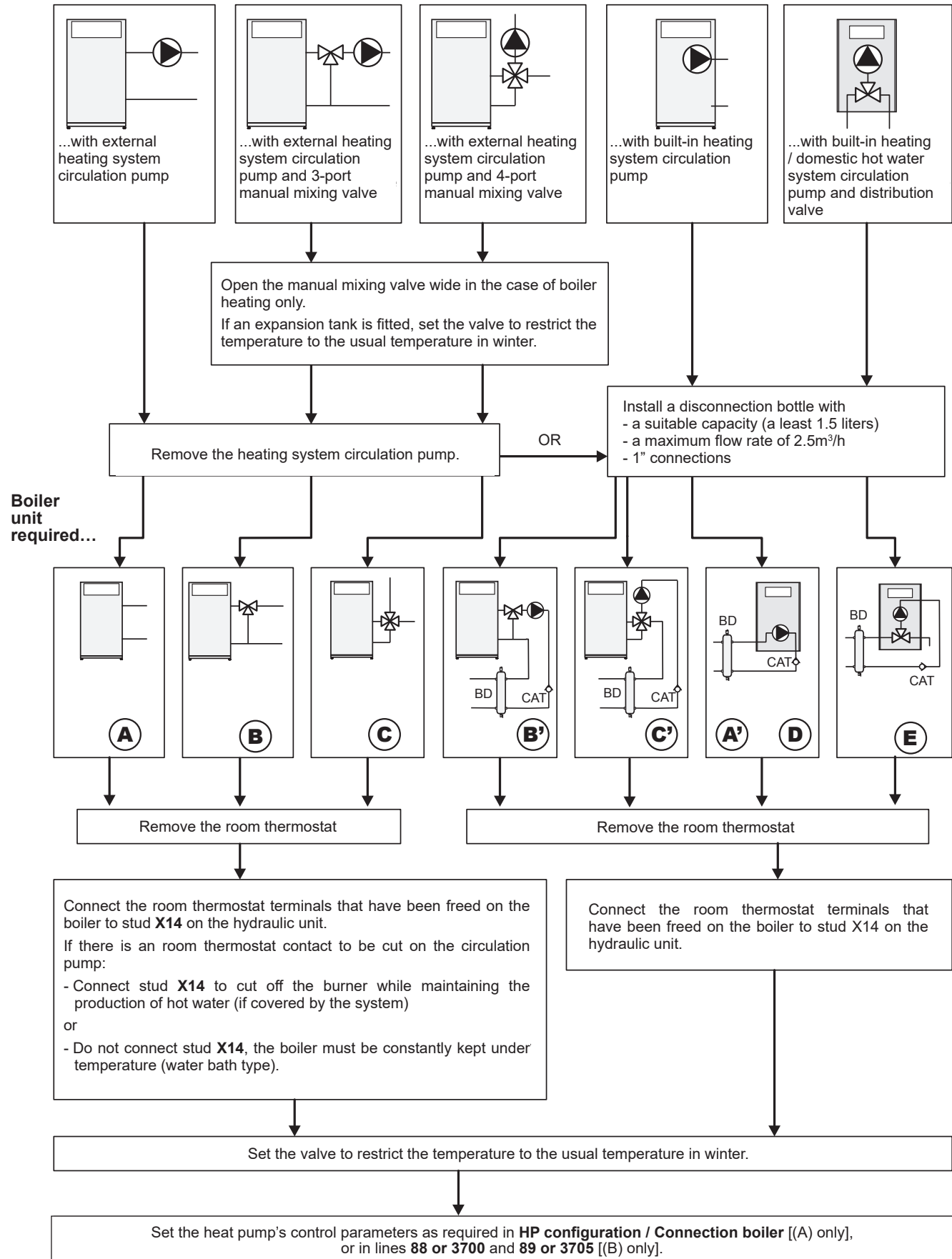
AE - Electrical backup	CC - Heating circulation pump	SDR - Initial sensor ("connection" position)
BD - Disconnection bottle	KR - Boiler connection kit	SSa - DHW sensor
CAT - Anti-gravity feed valve	MH - Hydraulic unit	SP - Heated floor thermal safety fuse
CCI - Heating system circulation pump built into the boiler	R - Radiators (or fan convectors)	TA - Boiler room thermostat terminals
	SA - Room thermostat or Room control unit (option)	VD - Distribution valve
	SE - Outdoor sensor	VDI - Distribution valve (deviation boiler)

► Boiler configuration - Unregulated boiler



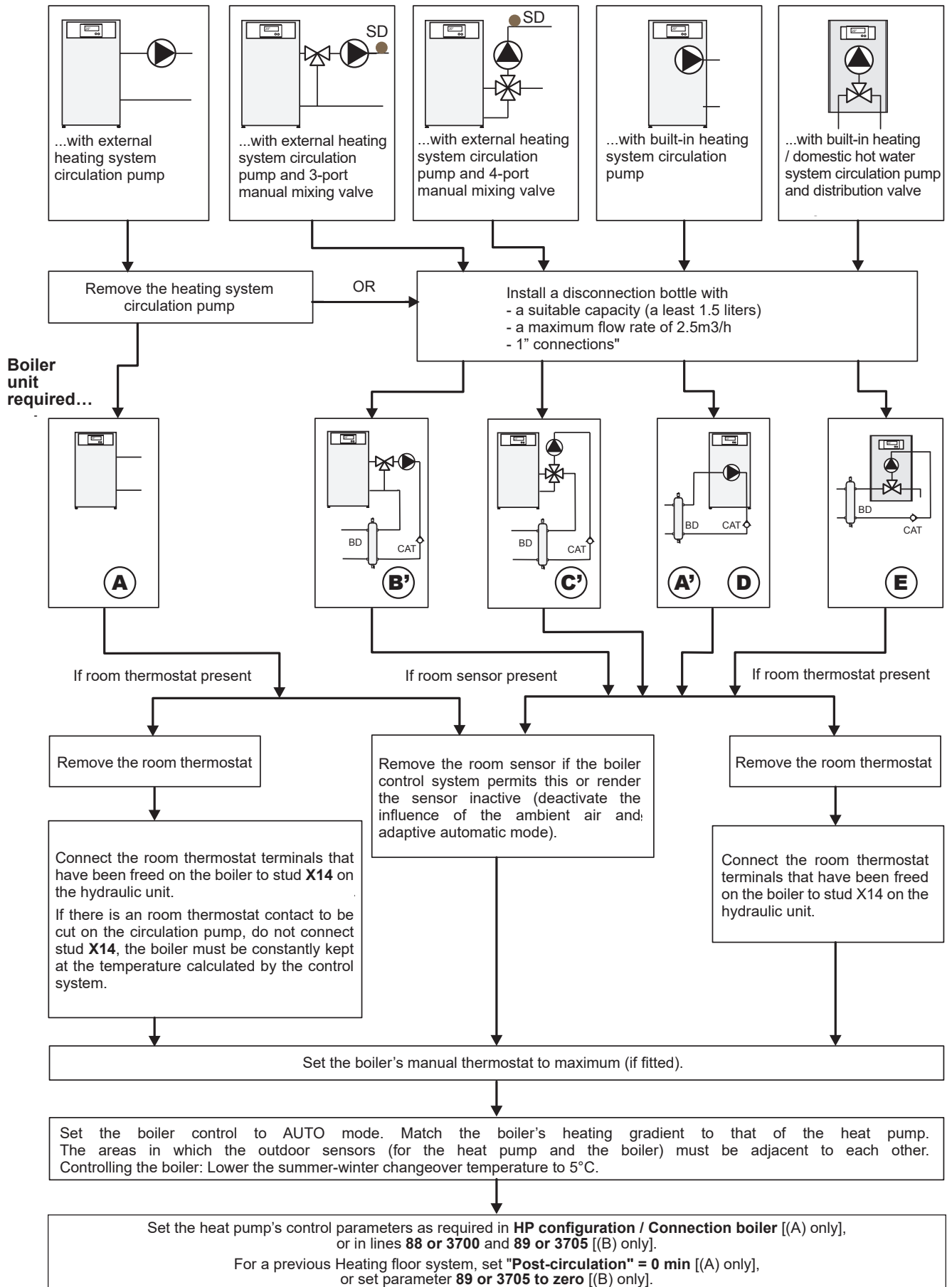
Not suitable for an installation with a heated floor.

Initial boiler unit...



► Boiler configuration - Regulated boiler

Initial boiler unit...



⇄ Spare parts

When ordering spare parts, specify the appliance type and serial number, the name of the part and the part number.
Qty = Total quantity on the appliance.

Nr	Code	Designation	Type	Qty
1	142735	Gasket	26x34	04
2	184064	Pipe of valve		01
3	184065	Pipe		01
4	988116	Valve		01
5	150349	Motor		01
6	184066	Pipe		01
7	110865	Connector		01
8	109682	Bundle		01

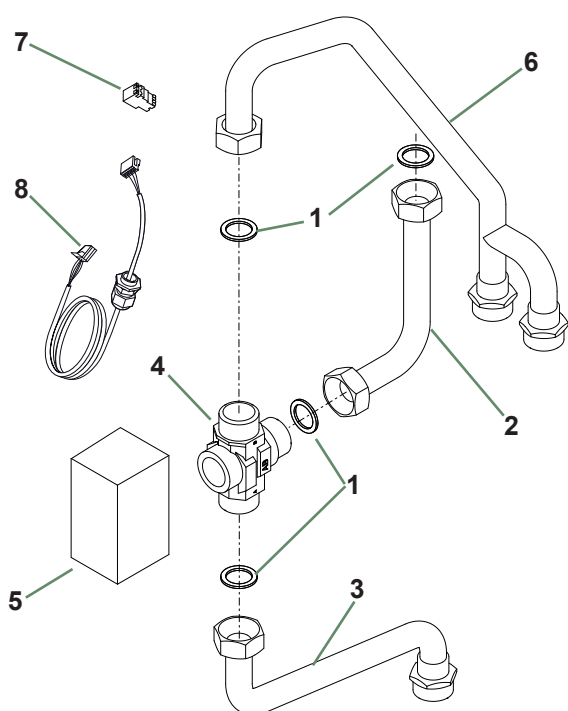


fig. 12 - Spare parts Boiler connection kit



A series of horizontal dotted lines spanning the width of the page, providing a guide for handwriting practice.



This appliance is marked with this symbol. This means that electrical and electronic products shall not be mixed with general household waste. European Community countries(*), Norway, Iceland and Liechtenstein should have a dedicated collection system for these products. Do not try to dismantle the system yourself as this could have harmful effects on your health and on the environment. The dismantling and treatment of refrigerant, oil and other parts must be done by a qualified installer in accordance with relevant local and national regulations. This appliance must be treated at a specialized treatment facility for re-use, recycling and other forms of recovery and shall not be disposed of in the municipal waste stream. Please contact the installer or local authority for more information.
* subject to the national law of each member state



Complies with:
- Low voltage directive 2014/35/EU, under standard EN 60335-1.
- Electromagnetic compatibility Directive 2014/30/EU.

Commissioning date

Address of your heating installer or customer service.

Société Industrielle de Chauffage
SATC - BP 64 - 59660 MERVILLE - FRANCE