

Overall information of the heat pump

Specification data

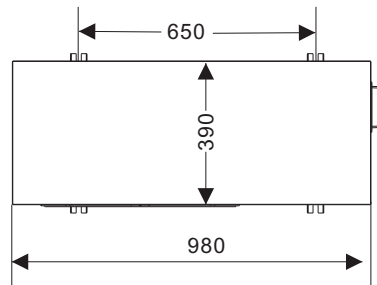
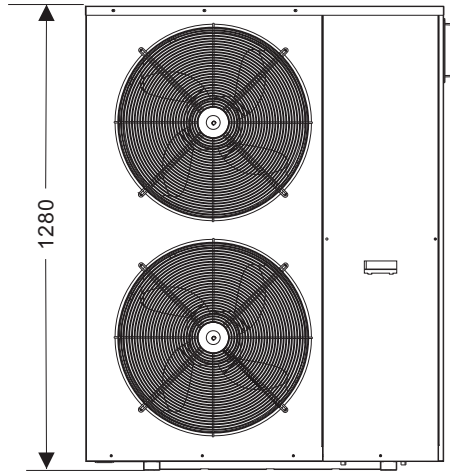
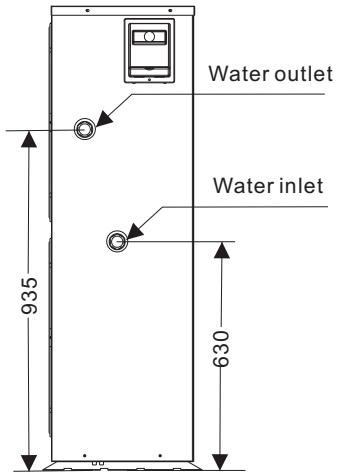
Model		PASRW050S-PS	PASRW100S-PS
*Heating Capacity	kW	19.0	36.5
	kcal/h	16337	31384
**Heating Capacity	kW	15.9	31.4
	kcal/h	13672	26999
***Heating Capacity	kW	15.7	31.1
	kcal/h	13500	267411
Cooling Capacity	kW	11.5	18.0
	kcal/h	9888	15477
*Power Input for Heating	kW	4.1	7.8
**Power Input for Heating	kW	5.3	10.6
***Power Input for Heating	kW	3.47	7.4
Power Input for Cooling	kW	4.0	7.5
Running Current (*Heating/**Heating/***Heating/Cooling)	A	7.1/8.2/6.0/6.9	13.5/18.4/12.8/13.0
Power Supply		380V/3N~/50Hz	380V/3N~/50Hz
Compressor Quantity		1	2
Compressor Type		EVIScroll	EVIScroll
Fan Quantity		2	2
Fan Power Input	W	140×2	300×2
Fan Rotate Speed	RPM	850	875
Noise	dB(A)	60	65
Water Connection	inch	1	1.5
Water Flow Rate	m ³ /h	2.6	5.2
Water Pressure Drop	kPa	60	53
Unit Dimension (L/W/H)	mm	(Subject to drawings of the heat pump)	
Packing Size (L/W/H)	mm	(Subject to data on the package)	
Net Weight	kg	(Subject to data on the nameplate)	
Gross Weight	kg	(Subject to data on the package)	

- 1.*Hot Water: outdoor temperature DB/WB20°C/15°C , outlet water circulation from 15°C to 55°C ;
- 2.**Heating: outdoor temperature DB/WB7°C/6°C , outlet water 55°C, inlet water (return) 50°C;
- 3.***Heating: outdoor temperature DB/WB7°C/6°C , outlet water 35°C, inlet water (return) 30°C;
- 4.Cooling: outdoor temperature DB/WB35°C/24°C , outlet water 7°C, inlet water (return)12°C .

Overall information of the heat pump

1 Heat pump dimension and view

Model: PASRW050S-PS



Overall information of the heat pump

Model: PASRW100S-PS

