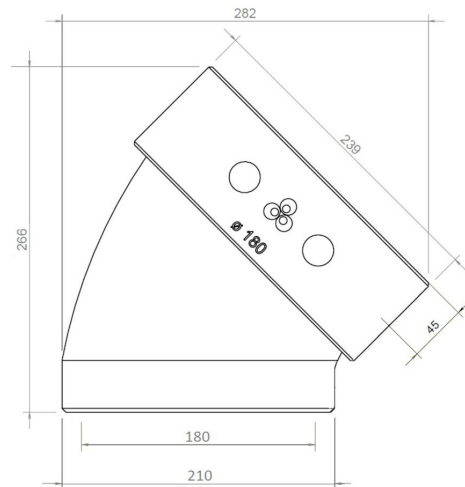


General information

Elbow EPP 180 45°



Specifications

Article number	400480466
Product category	Insulated tube
Material	EPP
Colour	Gray
Wall Thickness (mm)	15
Weight (kg)	0,12

Dimensions

Diameter inside (mm)	180
Diameter outside (mm)	210
Dimensions (l x w x h mm)	266 x 240 x 282

Application Insights

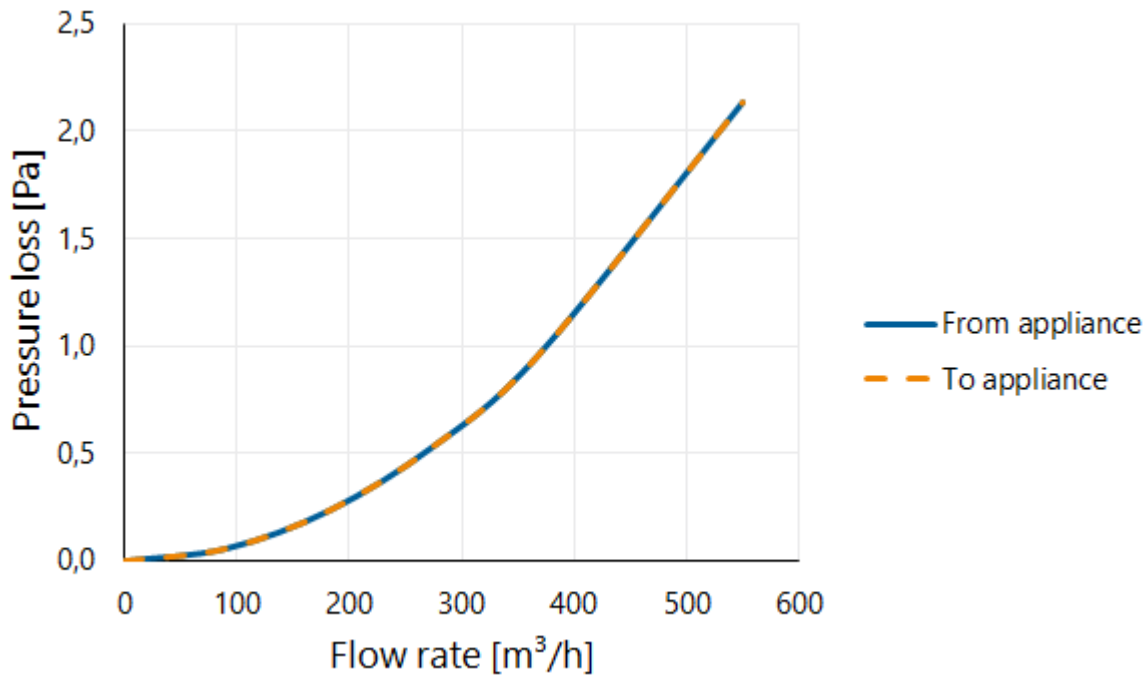
Application	Ventilation
Supply / Extract	Supply/Extract
Temperature range (°C)	-25 / +80

Technical Specifications

Maximum air flow (m ³ /h)	550
ζ extract	0,10
ζ supply	0,10
Air tightness class (ATC)	3
Thermal resistance (W/mK)	0,037
R-value (m ² K/W)	0,41
Fire rating EN 13501-1	E
Other specifications	-

Graph

Pressure loss



Table

Flow velocity pressure table

Flow rate			Static pressure loss	
[m/s]	[m³/h]	[l/s]	From appliance [Pa]	To appliance [Pa]
0	0	0	0,0	0,0
1	92	25	0,1	0,1
2	183	51	0,2	0,2
3	275	76	0,5	0,5
4	366	102	0,9	0,9
6	550	153	2,1	2,1