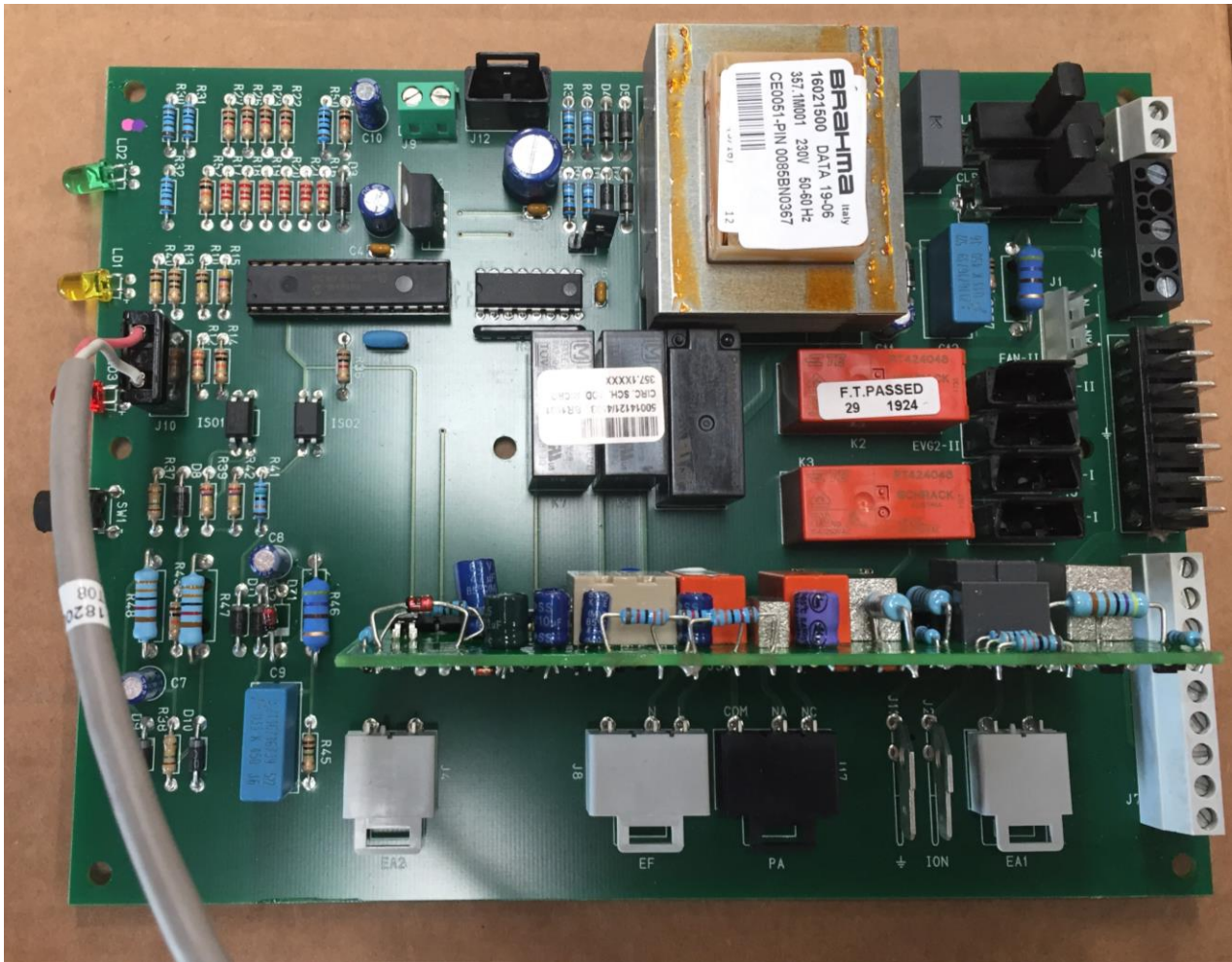


# BRAHMA ELECTRONIC CARD KIT FOR PA/UT HOT AIR GENERATORS

## LINK INSTRUCTIONS



**Every assembly operation must be done in maximum security, having previously isolated all appliances from any form of power (gas and electricity).**

## KIT CONTENT

AMOUNT	UNIT	DESCRIPTION
1	n°	<b>Electronic card</b> Brahma Cod. 1910800
1	n°	<b>Temperature probe</b> ST 08 Cod. 1910730
1	n°	<b>Ignition transformer</b> TR2 including cable and connectors Cod 1210129
1	n°	Instructions Cod 1564-GB-MN

## PRODUCT IDENTIFICATION

This KIT can only be used for **PA** and **UT** hot air generators.

## DESCRIPTION

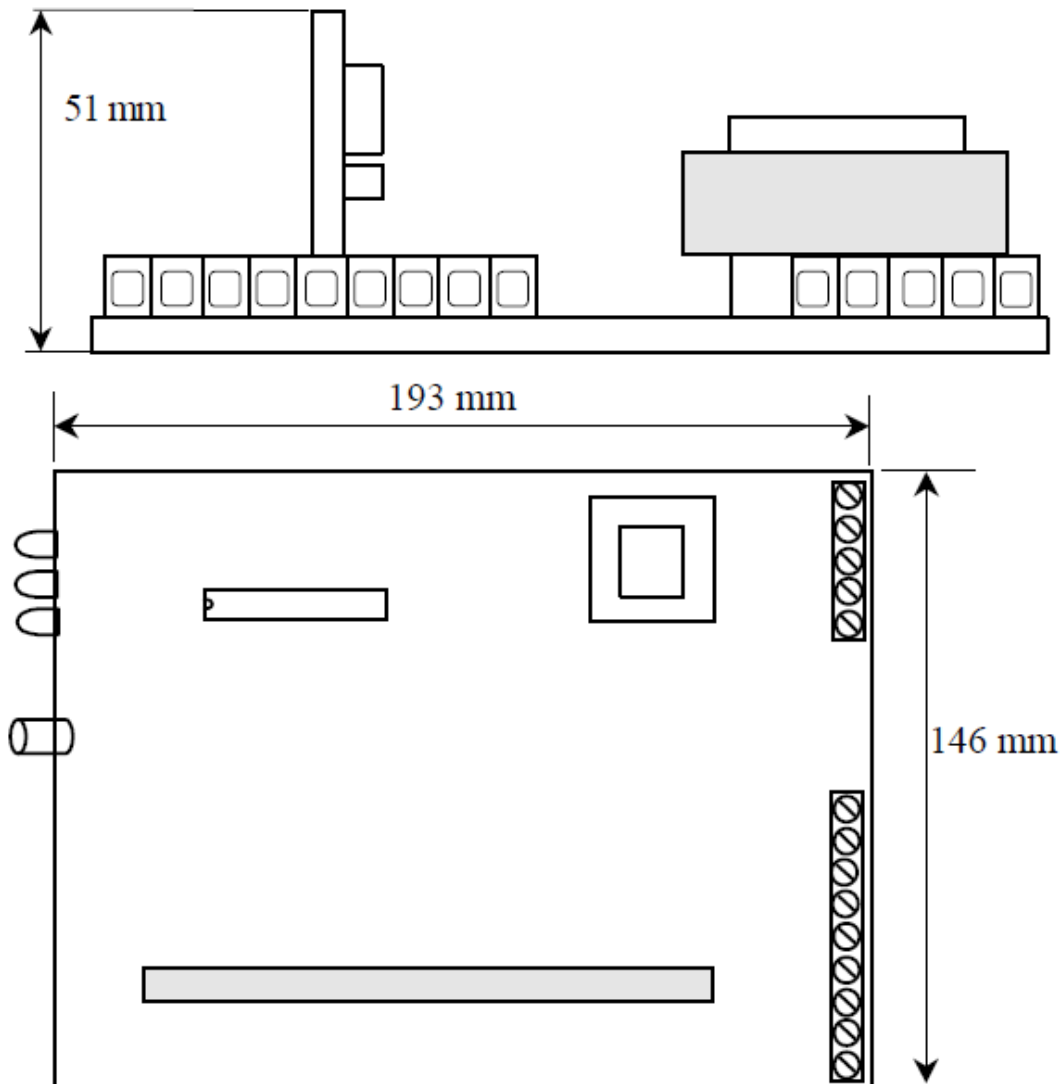


This instruction explains the correct installation of the KIT ELECTRONIC CARD BRAHMA.

## TECHNICAL DATA ELECTRONIC CARD BRAHMA

DESCRIPTION	VALUE
Operating temperature	-20 ÷ +60 °C
Power supply	230Vac +10%-15%

## DIMENSIONS



## FIXING

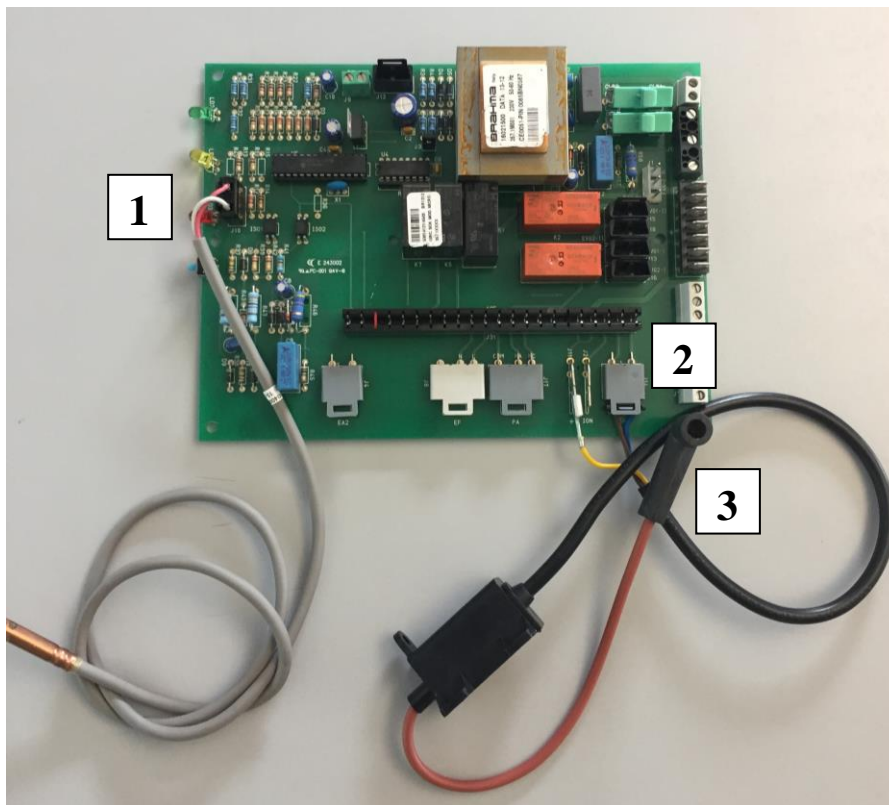
After removing the pre-existing electronic card, insert the new Brahma electronic card in the same position.

## ELECTRICAL CONNECTION

The following figure shows the electrical connections to be made.  
Be careful when connecting **new elements**:

1. The connector of **temperature probe ST 08 in the position J10** (near to to the red led).
2. The connector **ignition cable** with transformer (black) **in the position EA1**.
3. The end of the ignition cable must be connected to the ionization electrode on board machine.

The image below shows the links described above:



All other connections are exactly the same as the pre-existing electronic card.

# WIRING DIAGRAM

