

istruzioni d'installazione

7.152.139 002

820 NOVA

Sostituzione Bobina



ACCESSORI SIT 820 NOVA
S IT 820 NOVA ACCESSORIES
ACCESSOIRES POUR SIT 820 NOVA
SIT 820 NOVA ZUBEHÖR

ISTRUZIONI PER IL MONTAGGIO
ASSEMBLY INSTRUCTIONS
INSTRUCTIONS DE MONTAGE
EINBAUANWEISUNGEN

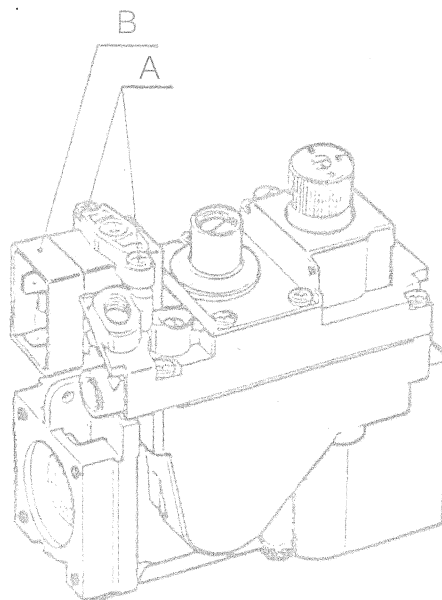
- Togliere l'alimentazione elettrica.
- Svitare le viti di fissaggio (A).
- Sfilare la bobina da sostituire (B).
- Inserire la nuova bobina (B).
- Bloccarla tramite le 2 viti (A) (coppia di serraggio 300 Ncm).
- Eseguire 4-5 cicli completi verificando il funzionamento.

- Couper l'alimentation électrique.
- Devisser les 2 vis de fixation (A).
- Enlever la bobine a remplacer (B).
- Mettre la nouvelle bobine (B).
- La bloquer a l'aide des 2 vis (A) (couple de serrage 300 Ncm).
- Effectuer 4-5 cycles de fonctionnement complets.

- Cut off the electrical supply.
- Unscrew the two fixing screws (A).
- Remove the operator to be replaced (B).
- Insert the new operator (B).
- Block the operator by means of the two screws (A) (By use of a torque at 300 Ncm).
- Effect 4-5 complete functional cycles.

- Elektrische Versorgung unterbrechen.
- Befestigungsschrauben (A) abschrauben.
- Die zu ersetzende (B) Spule herausnehmen.
- Die neue Spule einsetzen (B).
- Durch die zwei Schrauben (A) die Spule festmachen (Drehmoment 300 Ncm)
- 4-5 komplette Arbeitsspiele durchführen und die Arbeitsweise überprüfen.

BOBINA
BOBINE
OPERATOR
SPULE



WARNING!

This operator must **ONLY** be applied as part of a **Accessory kit** supplied by the **APPLIANCE MANUFACTURER** for the specific appliance, and type of gas, being converted.

INSTALLER NOTICE. These instructions must be left with appliance.



SIT Group