

DI GROOVED FITTINGS-CAP WITH ECCENTRIC HOLE

Type: 300PX

Doc No: DS-400-300PX-01-E

1.0 PRODUCT OVERVIEW

Caps with eccentric hole are used at the end of the groove pipeline connection, which would close the pipeline accordingly. The female threads of NPT or BSP are in the caps, and the center of the female threads is different from the center of the pipeline.



Dimensions:

2 1/2"(DN65) – 8"(DN200)

Design Standard:

ISO6182, AWWA C606, GB 5135.11

Connection Standard:

ASME B36.10, ASTM A53-A53M, ISO 4200

Working Pressure:

175PSI-500PSI

Application:

The cap with eccentric hole product is suitable for medium and low pressure pipeline systems with nominal pressure 175-500 PSI, nominal size DN65-DN200, temperature range of - 20 °C-+180°C, which are widely applied in water supply and drainage, fire-fighting, air conditioning, etc.

Pipe Material:

Welded and seamless rolled steel pipes according to ASME B36.10, ASTM A53-A53M, ISO 4200, GB/T 21835

Surface Treatment:

Sign Off:

Owner: _____ Contractor: _____

Engineer: _____

Location: _____ Date: _____

Approved & Date: _____

- Electrophoretic painting
- Epoxy power painting
- Hot-dip galvanizing
- Black
- Others would be available upon clients' detailed request

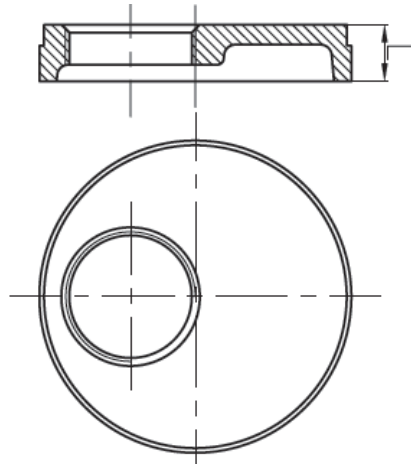
2.0 APPROVALS



3.0 SPECIFICATIONS-MATERIAL

Ductile iron according to ASTM A536, grade 65-45-12. The nodularity is more than 90%, ensuring excellent physical and mechanical properties.

4.0 DIMENSIONS AND PERFORMANCE



Sign Off:

Owner: _____ Contractor: _____
 Location: _____ Date: _____

Engineer: _____
 Approved & Date: _____

Nominal Size	Pipe O.D	Working Pressure	Dimensions
			L
DN/in	mm/in	PSI/MPa	mm/in
65x25 2½ x1	76.1x33.7 3.000x1.315	500 3.45	23.5 0.925
65x40 2½x1½	76.1x48.3 3.000x1.900	500 3.45	23.5 0.925
80X25 3x1	88.9x33.7 3.500X1.315	500 3.45	23.5 0.925
80x40 3x1½	88.9x48.3 3.500x1.900	500 3.45	23.5 0.925
80x50 3x2	88.9x60.3 3.500x2.375	500 3.45	23.5 0.925
100X25 4X1	114.3X33.7 4.500X1.315	500 3.45	27 1.06
100X40 4X1½	114.3X48.3 4.500X1.900	500 3.45	25.4 1
100x50 4x2	114.3x60.3 4.500x2.375	500 3.45	25.4 1
125x40 5x1½	139.7x48.3 5.500x1.900	500 3.45	25.4 1
125x50 5x2	139.7x60.3 5.500x2.375	500 3.45	25.4 1
150x40 6x1½	165.1x48.3 6.500x1.900	500 3.45	25.4 1
150x40 6x1½	168.3x48.3 6.625x1.900	500 3.45	25.4 1
150x50 6x2	168.3X60.3 6.625X2.375	500 3.45	25.4 1
200x40 8x1½	219.1x48.3 8.625x1.900	500 3.45	30.2 1.19
200x50 8x2	219.1x60.3 8.625x2.375	500 3.45	30.2 1.19

5.0 REFERENCE MATERIALS

Approved certification for Grooved Fittings and Couplings

I-JM-Grooved fitting: Installation Instructions for grooved fittings and couplings

Sign Off:

Owner: _____ Contractor: _____

Engineer: _____

Location: _____ Date: _____

Approved & Date: _____