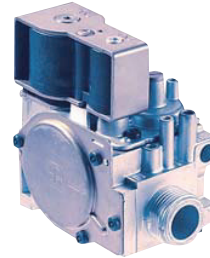


Electric Controls



	Safety		Adjustment			
	Thermoelectric	Automatic	On/off	High/low	Modulating	Gas/air
810 ELETTROSIT	●		●			
NOVA SERIES						
820 NOVA	●		●			
822 NOVA		●	●			
824 NOVA	●			●		
825 NOVA	●				●	
826 NOVA		●		●		
827 NOVA		●			●	
822 NOVAMIX		●				●
828 NOVAMIX		●				●
TANDEM SERIES						
830 TANDEM		●	●			
836 TANDEM		●		●		
837 TANDEM		●			●	
SIGMA SERIES						
840 SIGMA		●	●			
843 SIGMA		●		●		
845 SIGMA		●			●	
848 SIGMA		●				●

840 SIGMA

MAIN FEATURES

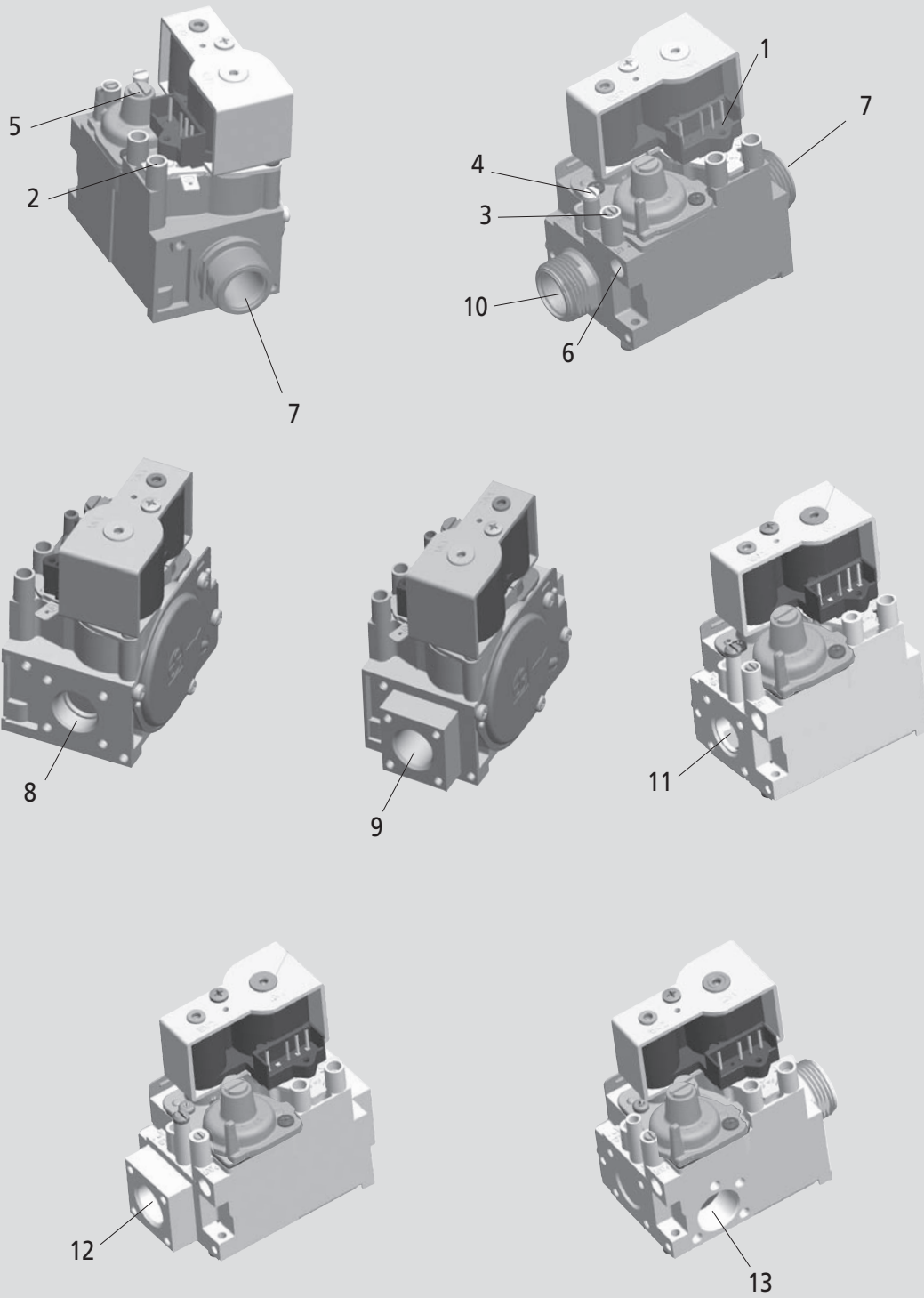
- Two automatic shut-off valves
- Servo-controlled pressure regulator
- Step ignition device (optional)
- Pilot outlet (optional) with filter
- Inlet filter
- Outlet filter (optional)
- Inlet and outlet pressure test points with "captured" screw
- Inlet and outlet gas connection available with male or female thread or for flange connection, available side outlet



DESCRIPTION

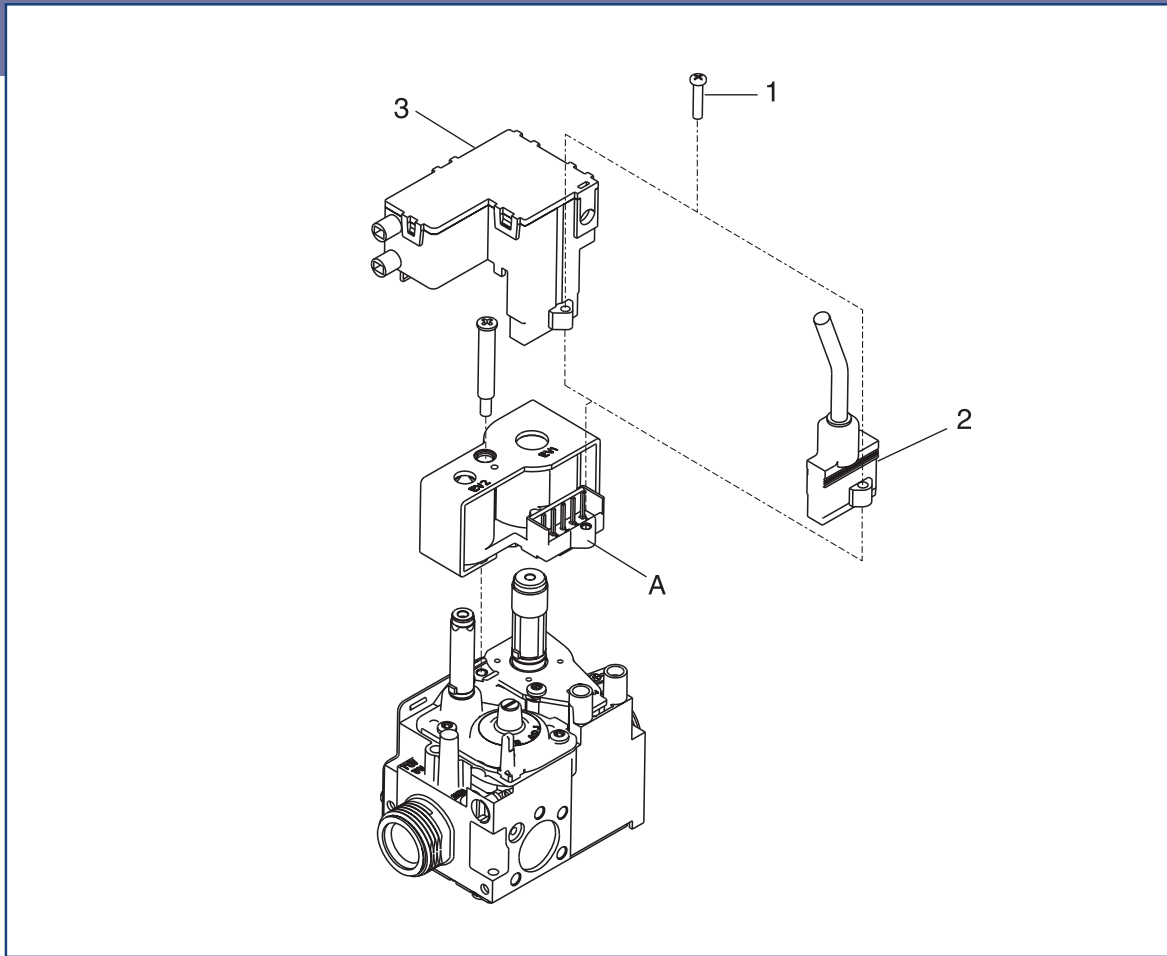
- 1 On-off solenoid valve EV1 and EV2 terminals
- 2 Inlet pressure test point (Pin)
- 3 Outlet pressure test point (Pout)
- 4 Connection for pressure regulator/combustion chamber compensation
- 5 Pressure regulator adjustment
- 6 Pilot outlet
- 7 Male G 3/4 gas inlet
- 8 Flange gas inlet
- 9 Female Rp 1/2 gas inlet
- 10 Male G 3/4 gas outlet
- 11 Flange gas outlet
- 12 Female Rp 1/2 gas outlet
- 13 Side gas outlet

DESCRIPTION



CODES

Codes	Ambient temperature range [°C]	UK Version	Body length [mm]	Inlet	Outlet displacement	Outlet	EV Electric supply	EV Class	Pressure Regulator range	Pilot	Flow Adjuster	Step Opening
0840014	0÷60		80	Flange		Flange	230 V - 50 Hz	B+J	2 - 50 mbar	no		no
0840016	0÷60		113	Male G3/4		Male G3/4	230 V - 50 Hz	B+J	2 - 50 mbar	M10		no
0840017	0÷60		105	Female Rp1/2		Female Rp1/2	230 V - 50 Hz	B+J	2 - 50 mbar	plugged		no
0840019	0÷60	●	80	Flange	Side	Ø14mm 3hole	230 V - 50 Hz	B+J	2 - 50 mbar	no		2-4mbar
0840020	0÷60		113	Male G3/4		Male G3/4	230 V - 50 Hz	B+J	2 - 50 mbar	no		2-4mbar
0840023	0÷60		113	Male G3/4		Male G3/4	230 V - 50 Hz	B+J	2 - 50 mbar	no		no
0840024	0÷60		80	Flange		Flange	230 V - 50 Hz	B+J	2 - 50 mbar	no		2-4mbar
0840025	0÷60		80	Flange		Flange	220 V - 60 Hz	B+J	2 - 50 mbar	no		2-4mbar
0840026	0÷60	●	105	Female Rp1/2		Female Rp1/2	230 V - 50 Hz	B+J	2 - 50 mbar	yes		2-4mbar
0840027	0÷60		105	Female Rp1/2		Female Rp1/2	230 V - 50 Hz	B+J	2 - 50 mbar	no		Adjust.
0840028	0÷60		113	Male G3/4		Male G3/4	220 V - 60 Hz	B+J	2 - 50 mbar	no		2-4mbar
0840029	0÷60		80	Flange		Flange	220 V - 60 Hz	B+J	2 - 50 mbar	no		no
0840030	0÷60		113	Male G3/4		Male G3/4	230 V - 50 Hz	B+J	2 - 50 mbar	no		Adjust.
0840031	0÷60		105	Female Rp1/2		Female Rp1/2	230 V - 50 Hz	B+J	2 - 50 mbar	no		no
0840032	0÷60		105	Rp1/2		Rp1/2	230 V - 50 Hz	B+J	2 - 50 mbar	no	●	no
0840033	0÷60		105	Rp1/2		Rp1/2	230 V - 50 Hz	B+J	2 - 50 mbar	no		no
0840034	0÷60		105	Female Rp1/2		Female Rp1/2	230 V - 50 Hz	B+J	2 - 50 mbar	no	●	no
0840035	0÷60		113	Male G3/4		Male G3/4	230 V - 50 Hz	B+J	2 - 50 mbar	M10		Adjust.
0840036	0÷60		105	Female Rp1/2		Female Rp1/2	230 V - 50 Hz	B+J	2 - 50 mbar	M10		Adjust.
0840038	0÷60		80	Flange		Flange	230 V - 50 Hz	B+J	2 - 50 mbar	no		Adjust.
0840039	0÷60		105	Female Rp1/2		Female Rp1/2	230 V - 50 Hz	B+J	2 - 50 mbar	no	●	Adjust.
0840040	0÷60		80	Flange		Flange	230 V - 50 Hz	B+J	2 - 50 mbar	no	●	no
0840041	-15÷60		80	Flange		Flange	230 V - 50 Hz	B+J	2 - 50 mbar	no		no
0840042	0÷60		113	Male G3/4		Male G3/4	230 V - 50 Hz	B+J	2 - 50 mbar	no		no
0840043	0÷60		113	Male G3/4		Male G3/4	230 V - 50 Hz	B+J	2 - 50 mbar	no	●	no
0840044	0÷60		113	Male G3/4		Male G3/4	230 V - 50 Hz	B+J	2 - 50 mbar	no		2-4mbar
0840046	0÷60	●	113	Male G3/4		Male G3/4	230 V - 50 Hz	B+J	2 - 50 mbar	no		Adjust.
0840047	0÷60	●	105	Female Rp1/2		Female Rp1/2	230 V - 50 Hz	B+J	2 - 50 mbar	no		no
0840048	0÷60		113	Male G3/4		Male G3/4	230 V - 50 Hz	B+J	2 - 50 mbar	no		6-8mbar
0840055	32÷140°F		105	Female 1/2NPT		Female 1/2NPT	120V - 60HZ	B+J	3 - 11" WC	no		no
0840057	0÷60		113	Male G3/4		Male G3/4	230 V - 50 Hz	B+J	2 - 50 mbar	no	●	6-8mbar
0840058	0÷60	●	105	Female Rp1/2		Female Rp1/2	230 V - 50 Hz	B+J	2 - 50 mbar	plugged		2-4mbar
0840059	0÷60		105	Female Rp1/2		Female Rp1/2	230 V - 50 Hz	B+J	2 - 50 mbar	no		Adjust.
0840061	0÷60	●	105	Female Rp1/2		Female Rp1/2	230 V - 50 Hz	B+J	2 - 50 mbar	no		Adjust.
0840062	0÷60	●	105	Female Rp1/2		Female Rp1/2	230 V - 50 Hz	B+J	2 - 50 mbar	no		Adjust.
0840063	0÷60		105	Female Rp1/2		Female Rp1/2	230 V - 50 Hz	B+J	2 - 50 mbar	M10		Adjust.



SPARE PARTS

N.	Code	Description	Q.ty
A1	0.967.003	230 V, 50 Hz solenoid (black color - 6KV)	10
A2	0.967.160	24 V, 50 Hz solenoid (black color)	10
A3	0.967.165	220 V, 60 Hz solenoid (blue color)	10

ACCESSORIES

N.	Code	Description	Q.ty	N.	Code	Description	Q.ty
1	0.953.082	EV1-EV2 plug screw	100	3a	0.504.010	Connector/igniter 504 NAC 2 electrodes, 5 wires	20
2a	0.960.400	EV1-EV2 plug-cable L = 515 mm (4 wires)	20	3b	0.504.011	Connector/igniter 504 NAC 2 electrodes, 4 wires	20
2b	0.960.401	EV1-EV2 plug-cable L = 620 mm (3 wires)	20	3c	0.504.012	Connector/igniter 504 NAC-2 electrodes, 5 wires	20
2c	0.960.402	EV1-EV2 plug-cable L = 1,070 mm (3 wires)	20	3d	0.504.013	Connector/igniter 504 NAC 1 electrode, 5 wires	20
2d	0.960.403	EV1-EV2 plug-cable L = 175 mm (4 wires)	20				
2e	0.960.404	EV1-EV2 plug-cable L = 580 mm (3 wires)	20				

Subject to change without notice