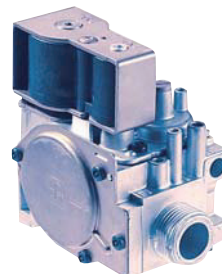


Electric Controls



	Safety		Adjustment			
	Thermoelectric	Automatic	On/off	High/low	Modulating	Gas/air
810 ELETTROSIT	●		●			
NOVA SERIES						
820 NOVA	●		●			
822 NOVA		●	●			
824 NOVA	●			●		
825 NOVA	●				●	
826 NOVA		●		●		
827 NOVA		●			●	
822 NOVAMIX		●				●
828 NOVAMIX		●				●
TANDEM SERIES						
830 TANDEM		●	●			
836 TANDEM		●		●		
837 TANDEM		●			●	
SIGMA SERIES						
840 SIGMA		●	●			
843 SIGMA		●		●		
845 SIGMA		●			●	
848 SIGMA		●				●

845 SIGMA

MAIN FEATURES

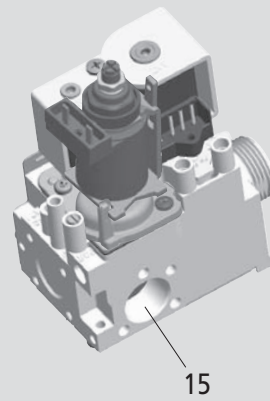
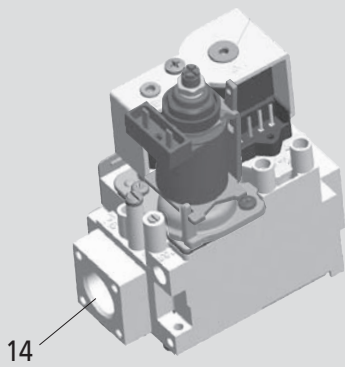
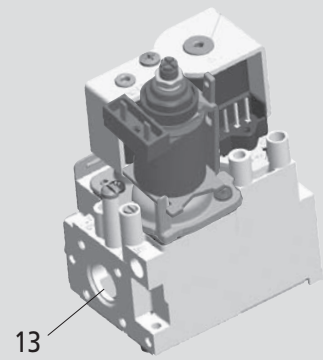
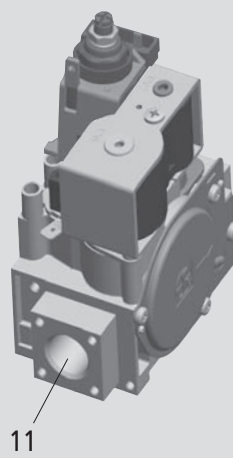
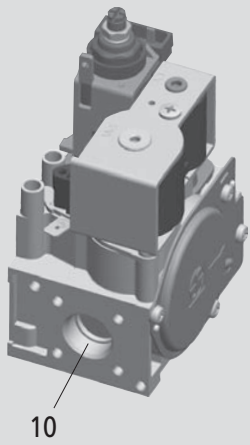
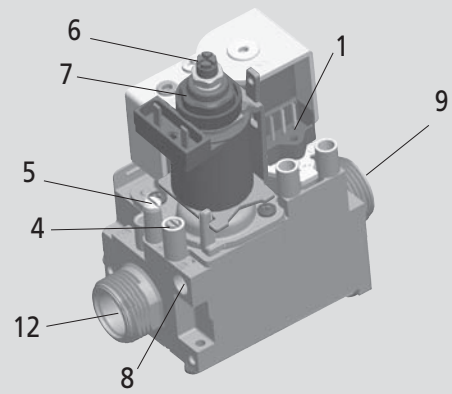
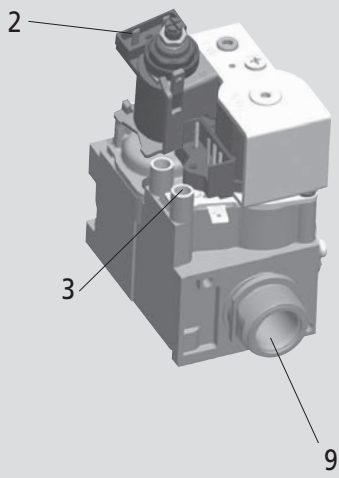
- Two automatic shut-off valves
- Electric modulator
- Servo-controlled pressure regulator
- Step ignition device (optional)
- Pilot outlet (optional) with filter
- Inlet filter
- Outlet filter (optional)
- Inlet and outlet pressure test points with "captured" screw
- Inlet and outlet gas connection available with male or female thread or for flange connection, available side outlet



DESCRIPTION

- 1 On-off solenoid valve EV1 and EV2 terminals
- 2 Modulator terminals
- 3 Inlet pressure test point (Pin)
- 4 Outlet pressure test point (Pout)
- 5 Connection for pressure regulator/combustion chamber compensation
- 6 Minimum pressure adjustment
- 7 Maximum pressure adjustment
- 8 Pilot outlet
- 9 Male G 3/4 gas inlet
- 10 Flange gas inlet
- 11 Female Rp 1/2 gas inlet
- 12 Male G 3/4 gas outlet
- 13 Flange gas outlet
- 14 Female Rp 1/2 gas outlet
- 15 Side gas outlet

DESCRIPTION



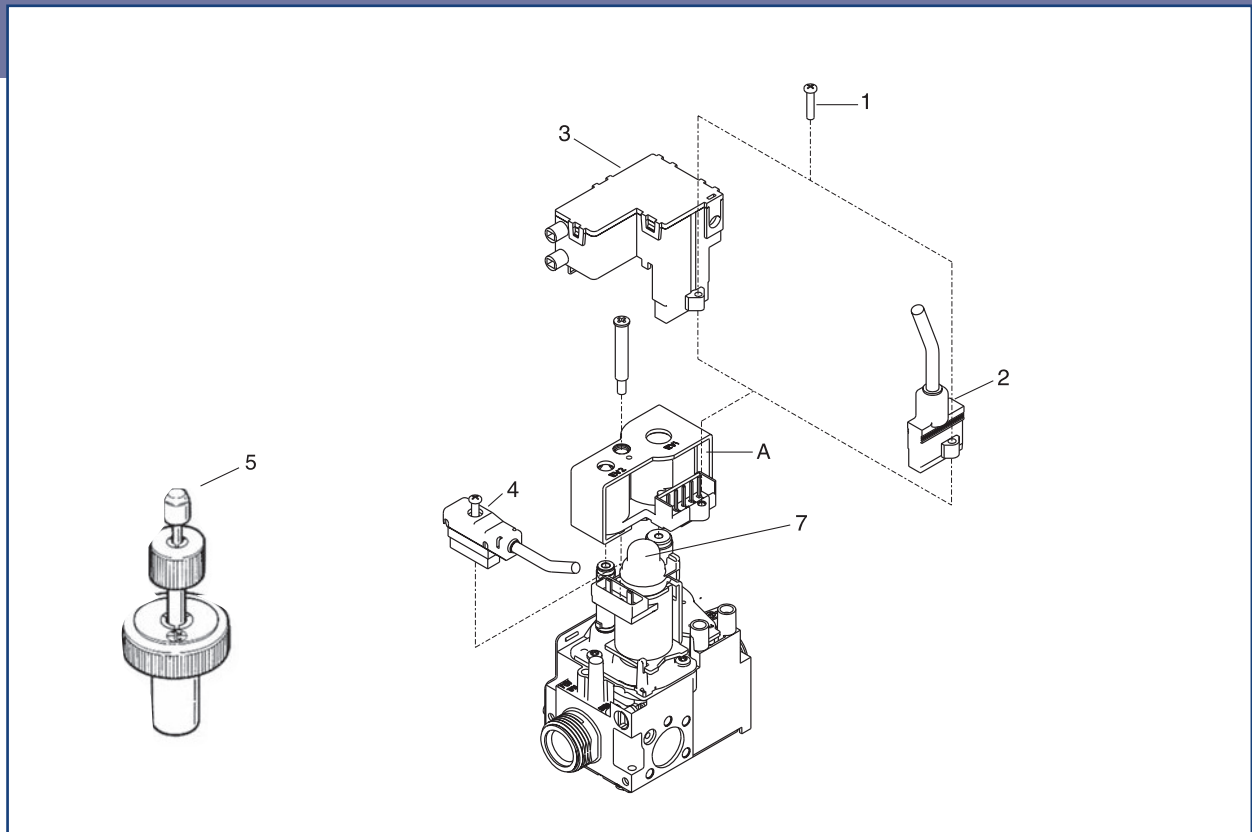
CODES

Codes	Ambient Temperature Range	UK version	Body Dim. [mm]	Inlet	Outlet	Capacity (1)	EV Electric Supply	EV Class	Mod. range	Flow adj.	Pilot outlet	Step Opening	Mod. Device (current) voltage
0845013	0 to 60°C		105	Flange	Female M22x1.5	ST	L.E. 24V	B+J	1 - 25mbar				165mA (17V)
0845016	0 to 60°C		105	Flange	Female M22x1.5	ST	L.E. 24V	B+J	1 - 37mbar				165mA (17V)
0845020	-10 to 60°C	●	80	Flange	Flange	ST	230V 50Hz	B+J	1 - 37mbar				165mA (17V)
0845021	-20 to 60°C		105	Flange	Flange	ST	230V 50Hz	B+J	1 - 20mbar				165mA (17V)
0845023	-20 to 60°C		105	Flange	Flange	ST	230V 50Hz	B+J	1 - 37mbar				165mA (17V)
0845037	0 to 60°C		113	Male G3/4	Male G3/4	ST	230V 50Hz	B+J	1 - 37mbar				310mA (9V)
0845039	-15 to 60°C		113	Male G3/4	Male G3/4	ST	230V 50Hz	B+J	1 - 37mbar		●		165mA (17V)
0845046	0 to 60°C		113	Male G3/4	Male G3/4	ST	230V 50Hz	B+J	1 - 20mbar				165mA (17V)
0845047	0 to 60°C		113	Male G3/4	Male G3/4	ST	230V 50Hz	B+J	1 - 45mbar				165mA (17V)
0845048	-15 to 60°C		105	Rp1/2	Rp1/2	ST	230V 50Hz	B+J	1 - 37mbar				310mA (9V)
0845051	0 to 60°C		113	Male G3/4	Male G3/4	HI	24V 50Hz	B+J	1 - 37mbar				165mA (17V)
0845052	0 to 60°C		105	Rp1/2	Rp1/2	ST	230V 50Hz	B+J	1 - 37mbar		●		165mA (17V)
0845053	-15 to 60°C		105	Flange	Flange	ST	230V 50Hz	B+J	1 - 20mbar				165mA (17V)
0845054	-15 to 60°C		105	Flange	Flange	ST	230V 50Hz	B+J	1 - 37mbar				165mA (17V)
0845055	-15 to 60°C		113	Male G3/4	Male G3/4	ST	230V 50Hz	B+J	1 - 20mbar	●	●		165mA (17V)
0845056	0 to 60°C		113	Male G3/4	Male G3/4	HI	24V 50Hz	B+J	1 - 37mbar		●		165mA (17V)
0845057	-15 to 60°C		113	Male G3/4	Male G3/4	HI	230V 50Hz	B+J	1 - 37mbar				165mA (17V)
0845058	0 to 60°C		113	Male G3/4	Male G3/4	ST	230V 50Hz	B+J	1 - 37mbar				165mA (17V)
0845059	0 to 60°C		80	Flange	Flange	ST	230V 50Hz	B+J	1 - 37mbar				165mA (17V)
0845061	0 to 60°C		80	Flange	Flange	ST	230V 50Hz	B+J	1 - 37mbar				165mA (17V)
0845062	-15 to 60°C		80	Flange	Flange	ST	230V 50Hz	B+J	1 - 37mbar				165mA (17V)
0845063	-10 to 60°C		113	Male G3/4	Male G3/4	ST	230V 50Hz	B+J	1 - 37mbar				310mA (9V)
0845064	0 to 60°C		80	Flange	Flange	HI	230V 50Hz	B+J	1 - 37mbar				165mA (17V)
0845065	-15 to 60°C		113	Male G3/4	Male G3/4	ST	24V 50Hz	B+J	1 - 37mbar				165mA (17V)
0845067	0 to 60°C		80	Flange	Flange	ST	24V 50Hz Rac	B+C	1 - 20mbar				165mA (17V)
0845070	-15 to 60°C		113	Male G3/4	Male G3/4	ST	230V 50Hz	B+J	1 - 37mbar				165mA (17V)

(1) ST = Standard Capacity,
HI = High Capacity

Codes	Ambient Temperature Range	UK version	Body Dim. [mm]	Inlet	Outlet	Capacity (1)	EV Electric Supply	EV Class	Mod. range	Flow adj.	Pilot outlet	Step Opening	Mod. Device (current voltage)
0845071	0 to 60°C		105	Rp1/2	Rp1/2	ST	230V 50Hz	B+J	3 - 37mbar			Adjust.	165mA (17V)
0845073	-15 to 60°C		105	Flange	Flange	ST	230V 50Hz	B+J	1 - 37mbar				165mA (17V)
0845074	-15 to 60°C		105	Flange	Flange	ST	230V 50Hz	B+J	1 - 20mbar				165mA (17V)
0845075	0 to 60°C	●	80	Flange	Flange	ST	230V 50Hz	B+C	1 - 37mbar		●		165mA (17V)
0845076	-15 to 60°C		113	Male G3/4	Male G3/4	HI	230V 50Hz	B+J	1 - 37mbar				310mA (9V)
0845077	-20 to 60°C		105	Flange	Flange	ST	230V 50Hz	B+J	1 - 37mbar	●			165mA (17V)
0845078	-15 to 60°C		113	Male G3/4	Male G3/4	ST	230V 50Hz	B+J	1 - 20mbar				165mA (17V)
0845079	-15 to 60°C		113	Male G3/4	Male G3/4	ST	230V 50Hz	B+J	1 - 37mbar				165mA (17V)
0845080	-15 to 60°C		105	Flange	Flange	ST	230V 50Hz	B+J	1 - 37mbar				165mA (17V)
0845081	-15 to 60°C		113	Male G3/4	Male G3/4	ST	230V 50Hz	B+J	1 - 20mbar				165mA (17V)
0845082	-15 to 60°C		80	Flange	Flange	ST	230V 50Hz	B+J	1 - 37mbar				310mA (9V)
0845083	0 to 60°C	●	113	Male G3/4	Male G3/4	ST	230V 50Hz	B+J	1 - 37mbar				165mA (17V)
0845084	0 to 60°C	●	113	Male G3/4	Male G3/4	ST	230V 50Hz	B+J	1 - 37mbar				165mA (17V)
0845088	0 to 60°C		105	1/2" NPT	1/2" NPT	ST	230V 50Hz	B+J	1 - 37mbar		M10		165mA (17V)
0845089	0 to 60°C	●	80	Flange	Flange	ST	230V 50Hz	B+J	1 - 37mbar				165mA (17V)
0845091	0 to 60°C		105	Flange	Flange	ST	230V 50Hz	B+J	1 - 20mbar				165mA (17V)
0845093	-15 to 60°C		113	Male G3/4	Male G3/4	ST	230V 50Hz	B+J	1 - 36mbar				165mA (17V)
0845094	0 to 60°C	●	113	Male G3/4	Male G3/4	HI	24V 50Hz	B+J	1 - 37mbar				165mA (17V)
0845095	0 to 60°C	●	113	Male G3/4	Male G3/4	ST	230V 50Hz	B+J	1 - 20mbar				165mA (17V)
0845096	32 to 140°F		105	1/2" NPT	1/2" NPT	ST	120V 60Hz		0,5 - 10 WC		7/16" uns		165mA (17V)
0845097	0 to 60°C		105	1/2" NPT	1/2" NPT	HI	24V 60Hz	B+J	1 - 37mbar				165mA (17V)
0845098	-15 to 60°C		113	Male G3/4	Male G3/4	ST	230V 50Hz	B+J	1 - 37mbar				165mA (17V)
0845099	5 to 140°F		105	Rp1/2	Rp1/2	ST	120V 60Hz	B+J	0,4 - 11 WC				310mA (9V)
0845101	-10 to 60°C	●	113	Male G3/4	Male G3/4	ST	230V 50Hz	B+J	1 - 37mbar				310mA (9V)
0845102	-15 to 60°C		113	Male G3/4	Male G3/4	ST	230V 50Hz	B+J	1 - 20mbar	●	●	Adjust.	165mA (17V)

Codes	Ambient Temperature Range	UK version	Body Dim. [mm]	Inlet	Outlet	Capacity (1)	EV Electric Supply	EV Class	Mod. range	Flow adj.	Pilot outlet	Step Opening	Mod. Device (current) voltage
0845105	-10 to 60°C		113	Male G3/4	Male G3/4	ST	24V Rac	B+J	1 - 37mbar				165mA (17V)
0845106	-10 to 60°C		113	Male G3/4	Male G3/4	ST	230V 50Hz	B+J	1 - 37mbar				165mA (17V)
0845107	-10 to 60°C		80	Flange	Flange	ST	230V 50Hz	B+J	1 - 37mbar				165mA (17V)
0845108	-15 to 60°C		113	Male G3/4	Male G3/4	ST	230V 50Hz	B+J	1 - 37mbar				165mA (17V)
0845109	-15 to 60°C		113	Male G3/4	Male G3/4	ST	230V 50Hz	B+J	1 - 37mbar				310mA (9V)
0845110	-10 to 60°C		113	Male G3/4	Male G3/4	ST	230V 50Hz	B+J	1 - 37mbar				165mA (17V)
0845111	-15 to 60°C		113	Male G3/4	Male G3/4	HI	220V 60Hz	B+J	1 - 37mbar				165mA (17V)
0845113	0 to 60°C		105	1/2" NPT	1/2" NPT	ST	24V 50Hz	B+J	1 - 37mbar		●		165mA (17V)
0845114	-10 to 60°C	●	113	Male G3/4	Male G3/4	ST	230V 50Hz	B+J	1 - 37mbar				165mA (17V)



SPARE PARTS

N.	Code	Description	Q.ty
A1	0.967158	230 V, 50 Hz solenoid (black color)	10
A2	0.967.159	24 V, 50 Hz solenoid (grey color)	10
A3	0.967.165	220 V, 50 Hz solenoid (blue color)	10

ACCESSORIES

N.	Code	Description	Q.ty	N.	Code	Description	Q.ty
1	0.925.133	O-ring for side outlet	100	4a	0.504.010	Connector/igniter 504 NAC 2 electrodes, 5 wires	20
2	0.953.082	EV1-EV2 plug screw	100	4b	0.504.011	Connector/igniter 504 NAC 2 electrodes, 4 wires	20
3a	0.960.400	EV1-EV2 plug cable L= 515 mm (4 wires)	20	4c	0.504.012	Connector/igniter 504 NAC 2 electrodes, 5 wires	20
3b	0.960.401	EV1-EV2 plug cable L= 620 mm (3 wires)	20	4d	0.504.013	Connector/igniter 504 NAC-1 electrode, 5 wires	20
3c	0.960.402	EV1-EV2 plug cable L= 1,070 mm (3 wires)	20	5	0.960.450	Modulator device plug + screw L = 210 mm	20
3d	0.960.403	EV1-EV2 plug cable L= 175 mm (4 wires)	20	6	0.999.994	Min-max modulator adjusting tool	5
3e	0.960.404	EV1-EV2 plug cable L= 580 mm (3 wires)	20	7	0.954.151	Modulator plug	100

Subject to change without notice

