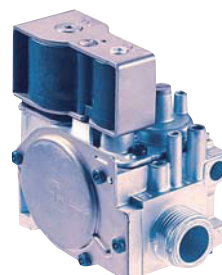


Electric Controls

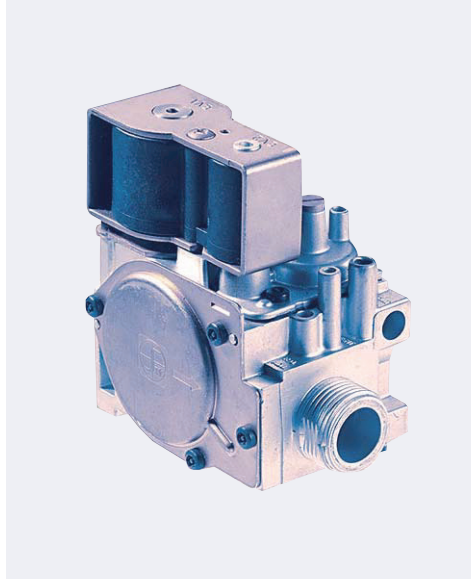


| | Safety | | Adjustment | | | |
|-----------------------|----------------|-----------|------------|----------|------------|---------|
| | Thermoelectric | Automatic | On/off | High/low | Modulating | Gas/air |
| 810 ELETTROSIT | ● | | ● | | | |
| NOVA SERIES | | | | | | |
| 820 NOVA | ● | | ● | | | |
| 822 NOVA | | ● | ● | | | |
| 824 NOVA | ● | | | ● | | |
| 825 NOVA | ● | | | | ● | |
| 826 NOVA | | ● | | ● | | |
| 827 NOVA | | ● | | | ● | |
| 822 NOVAMIX | | ● | | | | ● |
| 828 NOVAMIX | | ● | | | | ● |
| TANDEM SERIES | | | | | | |
| 830 TANDEM | | ● | ● | | | |
| 836 TANDEM | | ● | | ● | | |
| 837 TANDEM | | ● | | | ● | |
| SIGMA SERIES | | | | | | |
| 840 SIGMA | | ● | ● | | | |
| 843 SIGMA | | ● | | ● | | |
| 845 SIGMA | | ● | | | ● | |
| 848 SIGMA | | ● | | | | ● |

848 SIGMA

MAIN FEATURES

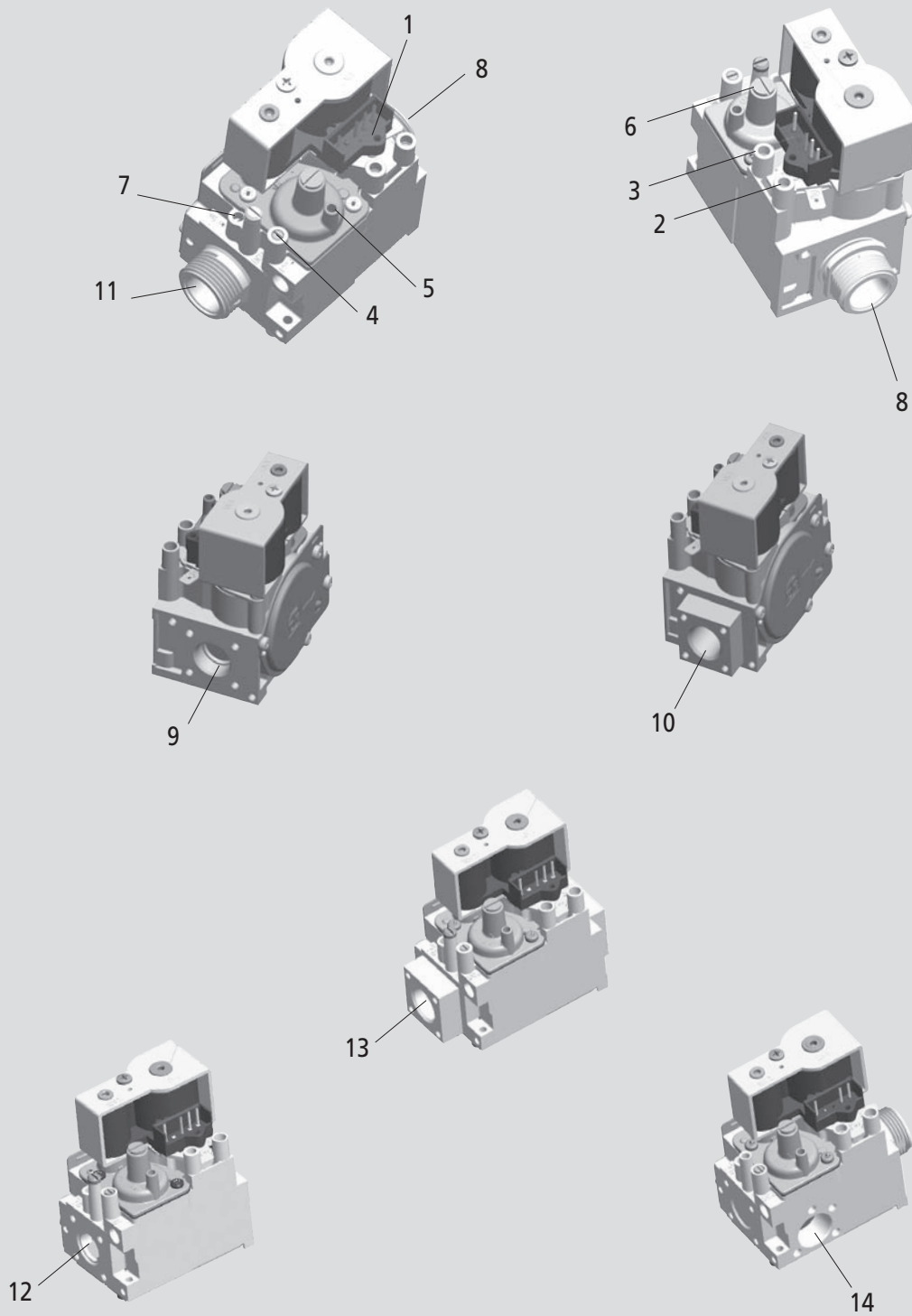
- Two automatic shut-off valves
- Pneumatic modulator with 1:1 gas-air pressure ratio
- Servo-controlled pressure regulator
- Gas-air ratio adjuster (optional)
- Inlet filter
- Outlet filter (optional)
- Inlet, outlet and additional pressure test points with "captured" screw
- Inlet and outlet gas connection available with male or female thread or for flange connection, available side outlet



DESCRIPTION

- 1 On-off solenoid valve EV1 and EV2 terminals
- 2 Inlet pressure test point (Pin)
- 3 Outlet pressure test point (Pint)
- 4 Additional outlet pressure test point (Pout)
- 5 Air signal connection port
- 6 Zero adjustment (offset)
- 7 Gas-air ratio adjuster
- 8 Male G 3/4 gas inlet
- 9 Flange gas inlet
- 10 Female Rp 1/2 gas inlet
- 11 Male G 3/4 gas outlet
- 12 Flange gas outlet
- 13 Female Rp 1/2 gas outlet
- 14 Side gas outlet.

DESCRIPTION



CODES

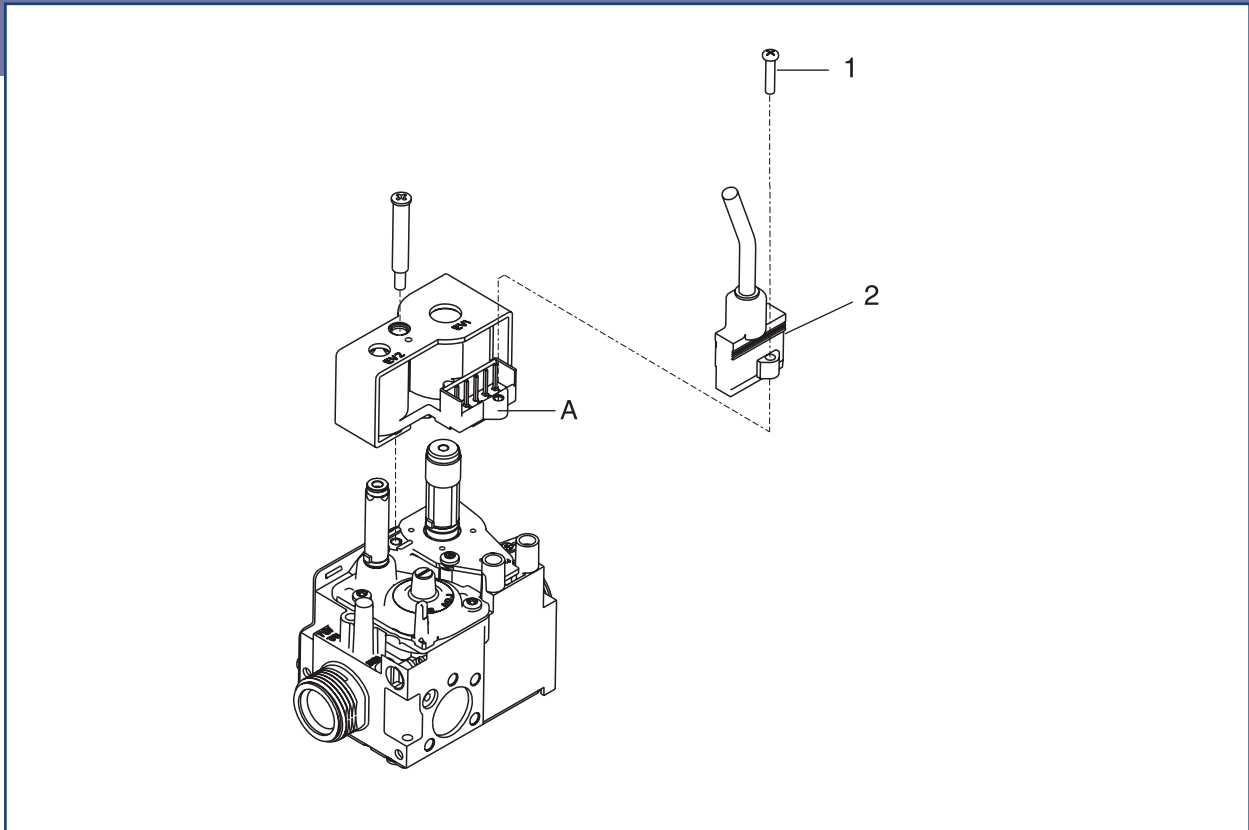
| Codes | Ambient temperature range | UK Version | Body length [mm] | Inlet | Outlet displacement | Outlet | Capacity (1) | EV Electric supply | EV Class | Ratio Adjuster (2) |
|---------|---------------------------|------------|------------------|--------------|---------------------|-----------------|--------------|--------------------|----------|--------------------|
| 1848001 | -10÷60°C | yes | 98 | Male G3/4 | | Flange | | 22 Vdc | B+C | HP |
| 0848002 | -10÷60°C | yes | 105 | Female Rp1/2 | | Female Rp1/2 | ST | 230V 50Hz | B+C | HP |
| 0848003 | -10÷60°C | no | 113 | Male G3/4 | | Male G3/4 | | 230V 50Hz | B+C | HP |
| 0848005 | 0÷60°C | yes | 80 | Flange | | Flange | ST | 24V 50Hz | B+C | ST |
| 0848006 | -15÷60°C | yes | 113 | Male G3/4 | | Male G3/4 | ST | 24V RAC | B+C | ST |
| 0848009 | 0÷60°C | no | 113 | Male G3/4 | | Male G3/4 | ST | 24V 50Hz | B+C | ST |
| 0848010 | 0÷60°C | no | 113 | Male G3/4 | | Male G3/4 | ST | 220V 60Hz | B+J | ST |
| 0848011 | 0÷60°C | no | 113 | Male G3/4 | | Male G3/4 | ST | 230V 50Hz | B+C | ST |
| 0848012 | 0÷60°C | no | 113 | Male G3/4 | | Male G3/4 | ST | 220V 60Hz | B+C | ST |
| 0848015 | 0÷60°C | no | 80 | Flange | Side | Ø.14-3 holes M5 | ST | 230V 50Hz | B+J | no |
| 0848016 | 0÷60°C | no | 113 | Male G3/4 | | Male G3/4 | ST | 230V 50Hz | B+C | ST |
| 0848017 | 0÷60°C | no | 113 | Male G3/4 | | Male G3/4 | ST | 24V 50Hz | B+J | ST |
| 0848019 | 0÷60°C | no | 80 | Flange | | Flange | ST | 230V 50Hz | B+C | ST |
| 0848022 | 0÷60°C | no | 113 | Male G3/4 | | Male G3/4 | ST | 230V 50Hz | B+C | HP |
| 0848024 | 0÷60°C | no | 113 | Male G3/4 | | Male G3/4 | ST | 24V 50Hz | B+C | ST |
| 0848026 | 0÷60°C | no | 105 | Female Rp1/2 | | Female Rp1/2 | ST | 24V RAC | B+C | ST |
| 0848028 | 0÷60°C | no | 98 | Male G3/4 | Side | Ø.20-2 holes M5 | ST | 24V RAC | B+C | no |
| 0848029 | 0÷60°C | no | 113 | Male G3/4 | | Male G3/4 | ST | 230V 50Hz | B+C | ST |
| 0848030 | 0÷60°C | no | 105 | Female Rp1/2 | | Female Rp1/2 | ST | 24V 50Hz | B+C | no |
| 0848032 | 0÷60°C | no | 113 | Male G3/4 | | Male G3/4 | ST | 230V 50Hz | B+C | ST |
| 0848033 | 0÷60°C | no | 80 | Flange | Side | Ø.14-3 holes M5 | ST | 230V 50Hz | B+C | ST |
| 0848034 | 0÷60°C | no | 113 | Male G3/4 | | Male G3/4 | ST | 230V 50Hz | B+C | ST |
| 0848036 | 0÷60°C | no | 113 | Male G3/4 | | Male G3/4 | ST | 24V 50Hz | B+C | ST |
| 0848037 | 0÷60°C | no | 113 | Male G3/4 | | Male G3/4 | ST | 230V 50Hz | B+C | no |
| 0848038 | 0÷60°C | yes | 105 | Female Rp1/2 | | Female Rp1/2 | ST | 230V 50Hz | B+C | no |
| 0848039 | 0÷60°C | yes | 105 | Female Rp1/2 | | Female Rp1/2 | ST | 230V 50Hz | B+C | ST |
| 0848040 | 0÷60°C | yes | 80 | Flange | Side | Ø.20-3 holes M5 | ST | 230V 50Hz | B+C | ST |
| 0848041 | 0÷60°C | no | 105 | Female Rp1/2 | | Female Rp1/2 | ST | 230V 50Hz | B+C | ST |
| 0848042 | 0÷60°C | no | 113 | Male G3/4 | | Male G3/4 | ST | 230V 50Hz | B+C | ST |
| 0848043 | 0÷60°C | yes | 113 | Male G3/4 | | Male G3/4 | ST | 230V 50Hz | B+C | ST |
| 0848045 | 0÷60°C | yes | 113 | Male G3/4 | | Male G3/4 | ST | 230V 50Hz | B+C | ST |
| 0848046 | 0÷60°C | no | 113 | Male G3/4 | | Male G3/4 | ST | 24V RAC | B+C | ST |
| 0848047 | 0÷60°C | no | 80 | Flange | | Flange | ST | 220V 60Hz | B+C | ST |
| 0848049 | -10÷60°C | yes | 113 | Male G3/4 | | Male G3/4 | ST | 230V 50Hz | B+C | ST |
| 0848051 | -10÷60°C | yes | 105 | Female Rp1/2 | | Female Rp1/2 | HI | 230V 50Hz | B+J | ST |
| 0848052 | 0÷60°C | no | 113 | Male G3/4 | | Male G3/4 | ST | 230V 50Hz | B+C | ST |
| 0848054 | -10÷60°C | yes | 105 | Female Rp1/2 | | Female Rp1/2 | ST | 230V 50Hz | B+C | HP |
| 0848055 | -10÷60°C | yes | 98 | Male G3/4 | | Ø.20-3 holes M5 | ST | 230V 50Hz | B+C | HP |
| 0848057 | 0÷60°C | no | 113 | Male G3/4 | | Male G3/4 | ST | 230V 50Hz | B+C | no |
| 0848058 | 0÷60°C | yes | 113 | Male G3/4 | | Male G3/4 | ST | 24V 50Hz | B+C | ST |
| 0848059 | 0÷60°C | yes | 113 | Male G3/4 | | Male G3/4 | ST | 230V 50Hz | B+C | no |
| 0848063 | 0÷60°C | yes | 98 | Male G3/4 | Side | Ø.20-3 holes M5 | ST | 230V 50Hz | B+C | ST |
| 0848065 | -15÷60°C | no | 113 | Male G3/4 | | Male G3/4 | ST | 220V 60Hz | B+C | no |
| 0848066 | 14-140°F | yes | 105 | Flange | | Flange | ST | 120V 60Hz | B+C | HP |

| Codes | Ambient temperature range | UK Version | Body length [mm] | Inlet | Outlet displacement | Outlet | Capacity (1) | EV Electric supply | EV Class | Ratio Adjuster (2) |
|---------|---------------------------|------------|------------------|--------------|---------------------|-----------------|--------------|--------------------|----------|--------------------|
| 0848067 | -10÷60°C | yes | 98 | Male G3/4 | | Flange | | 22 Vdc | B+C | HP |
| 1848067 | -10÷60°C | yes | 98 | Male G3/4 | | Flange | | 22 Vdc | B+C | HP |
| 0848068 | 0÷60°C | yes | 98 | Male G3/4 | | Flange | | 230V 50Hz | B+C | HP |
| 0848069 | -10÷60°C | yes | 113 | Male G3/4 | | Male G3/4 | ST | 24V 50Hz | B+J | ST |
| 0848070 | 0÷60°C | no | 105 | Female Rp1/2 | | Female Rp1/2 | ST | 230V 50Hz | B+C | ST |
| 0848071 | 0÷60°C | yes | 113 | Male G3/4 | | Male G3/4 | ST | 24V 50Hz | B+C | ST |
| 0848072 | -10÷60°C | yes | 113 | Male G3/4 | | Male G3/4 | ST | 230V 50Hz | B+C | ST |
| 0848073 | 0÷60°C | yes | 105 | Female Rp1/2 | | Female Rp1/2 | ST | 230V 50Hz | B+C | ST |
| 0848074 | -10÷60°C | yes | 113 | Male G3/4 | | Male G3/4 | ST | 230V 50Hz | B+C | HP |
| 0848075 | -10÷60°C | yes | 113 | Male G3/4 | | Male G3/4 | HI | 120V 60Hz | B+C | ST |
| 0848077 | 0÷60°C | yes | 113 | Male G3/4 | | Male G3/4 | ST | 230V 50Hz | B+C | ST |
| 0848078 | 0÷60°C | no | 105 | Female Rp1/2 | | Female Rp1/2 | ST | 230V 50Hz | B+C | no |
| 0848079 | 0÷60°C | no | 105 | Female Rp1/2 | | Female Rp1/2 | ST | 230V 50Hz | B+C | HP |
| 0848080 | 0÷60°C | no | 113 | Male G3/4 | | Male G3/4 | ST | 230V 50Hz | B+C | HP |
| 0848082 | 0÷60°C | no | 113 | Male G3/4 | | Male G3/4 | ST | 230V 50Hz | B+C | ST |
| 0848083 | 0÷60°C | no | 113 | Male G3/4 | | Male G3/4 | ST | 230V 50Hz | B+C | no |
| 0848085 | -15÷60°C | no | 80 | Flange | Side | Ø.14-3 holes M5 | ST | 220V 60Hz | B+C | ST |
| 0848086 | 0÷60°C | no | 80 | Flange | | Flange | ST | 230V 50Hz | B+C | ST |
| 0848087 | 0÷60°C | no | 113 | Male G3/4 | | Male G3/4 | ST | 230V 50Hz | B+C | no |
| 0848088 | 0÷60°C | yes | 98 | Male G3/4 | Side | Ø.20-2 holes M5 | | 24V RAC | B+C | no |
| 0848090 | -15÷60°C | no | 98 | Male G3/4 | Side | Ø.20-2 holes M5 | ST | 24V RAC | B+C | no |
| 0848092 | 0÷60°C | no | 105 | Female Rp1/2 | | Female Rp1/2 | ST | 220V 60Hz | B+J | no |
| 0848093 | 0÷60°C | yes | 132 | Male G3/4 | | Male G3/4 | | 31 Vdc | B+C | HP |
| 0848094 | 0÷60°C | no | 98 | Male G3/4 | | Ø.20-3 holes M5 | ST | 230V 50Hz | B+C | HP |
| 0848095 | 0÷60°C | yes | 113 | Male G3/4 | | Male G3/4 | ST | 21V Vdc | B+C | no |
| 0848097 | 0÷60°C | no | 113 | Male G3/4 | | Male G3/4 | ST | 230V 50Hz | B+C | HP |
| 0848099 | 0÷60°C | yes | 98 | Male G3/4 | Side | Ø.20-2 holes M5 | ST | 24V RAC | B+C | no |
| 0848102 | -10÷60°C | yes | 105 | Female Rp1/2 | | Female Rp1/2 | ST | 230V 50Hz | B+C | HP |
| 0848105 | 0÷60°C | yes | 132 | Male G3/4 | | Male G3/4 | | 31 Vdc | B+C | HP |
| 0848106 | -10÷60°C | yes | 113 | Male G3/4 | | Male G3/4 | ST | 24V RAC | B+C | HP |
| 0848107 | -10÷60°C | yes | 113 | Male G3/4 | | Male G3/4 | ST | 230V 50Hz | B+C | HP |
| 0848108 | -10÷60°C | yes | 113 | Male G3/4 | | Male G3/4 | ST | 31 Vdc | B+C | no |
| 0848110 | -10÷60°C | yes | 113 | Male G3/4 | | Male G3/4 | ST | 230V 50Hz | B+C | ST |
| 0848112 | 0÷60°C | yes | 113 | Male G3/4 | | Male G3/4 | ST | 21V Vdc | B+C | HP |
| 0848117 | -15÷60°C | no | 98 | Male G3/4 | Side | Ø.20-3 holes M5 | ST | 230V 50Hz | B+C | no |
| 0848119 | -10÷60°C | yes | 113 | Male G3/4 | | Male G3/4 | HI | 230V 50Hz | B+J | ST |
| 0848120 | 14-140°F | yes | 113 | Male 1/2NPT | | Male 1/2NPT | ST | 24V 60Hz | B+J | ST |
| 0848121 | -10÷60°C | yes | 113 | Male G3/4 | | Male G3/4 | HI | 230V 50Hz | B+J | HP |
| 0848122 | -15÷60°C | yes | 98 | Male G3/4 | Side | Ø.20-2 holes M5 | ST | 24V RAC | B+C | no |
| 0848123 | -10÷60°C | yes | 98 | Male G3/4 | Side | Ø.20-3 holes M5 | ST | 230V 50Hz | B+C | HP |
| 0848125 | 0÷60°C | yes | 98 | Male G3/4 | Side | Ø.14-3 holes M5 | ST | 230V 50Hz | B+C | HP |
| 0848126 | 5-140°F | yes | 105 | Female Rp1/2 | | Female Rp1/2 | ST | 120V 60Hz | B+C | no |
| 0848127 | -10÷60°C | yes | 113 | Male G3/4 | | Male G3/4 | ST | 230V 50Hz | B+C | HP |
| 0848128 | 0÷60°C | yes | 80 | Flange | | Flange | ST | 230V 50Hz | B+C | HP |

| Codes | Ambient temperature range | UK Version | Body length [mm] | Inlet | Outlet displacement | Outlet | Capacity (1) | EV Electric supply | EV Class | Ratio Adjuster (2) |
|---------|---------------------------|------------|------------------|--------------|---------------------|-----------------|--------------|--------------------|----------|--------------------|
| 0848129 | -15÷60°C | no | 113 | Male G3/4 | | Male G3/4 | ST | 230V 50Hz | B+C | ST |
| 0848130 | -10÷60°C | no | 113 | Male G3/4 | | Male G3/4 | ST | 230V 50Hz | B+C | ST |
| 0848135 | -15÷60°C | no | 113 | Male G3/4 | | Male G3/4 | ST | 230V 50Hz | B+C | ST |
| 0848138 | -15÷60°C | no | 113 | Male G3/4 | | Male G3/4 | ST | 230V 50Hz | B+C | ST |
| 0848139 | -10÷60°C | yes | 105 | Female Rp1/2 | | Female Rp1/2 | ST | 230V 50Hz | B+C | HP |
| 0848140 | -10÷60°C | yes | 105 | Female Rp1/2 | | Female Rp1/2 | ST | 230V 50Hz | B+C | HP |
| 0848143 | -10÷60°C | yes | 105 | Female Rp1/2 | | Female Rp1/2 | ST | 230V 50Hz | B+C | HP |
| 0848146 | -10÷60°C | yes | 105 | Female Rp1/2 | | Female Rp1/2 | ST | 230V 50Hz | B+C | HP |
| 0848149 | -10÷60°C | yes | 113 | Male G3/4 | | Male G3/4 | ST | 31 Vdc | B+C | no |
| 0848151 | -15÷60°C | no | 98 | Male G3/4 | Side | Ø.20-3 holes M5 | ST | 230V 50Hz | B+C | HP |
| 0848152 | -15÷60°C | yes | 98 | Male G3/4 | Side | Ø.20-2 holes M5 | ST | 24V RAC | B+C | HP |
| 0848154 | -10÷60°C | yes | 105 | Female Rp1/2 | | Female Rp1/2 | ST | 230V 50Hz | B+C | HP |
| 0848156 | 14-140°F | yes | 105 | Flange | | Flange | ST | 230V 50Hz | B+C | HP |
| 0848158 | -10÷60°C | yes | 80 | Female Rp1/2 | | Female Rp1/2 | ST | 230V 50Hz | B+C | HP |
| 0848159 | -15÷60°C | yes | 113 | Male G3/4 | | Male G3/4 | ST | 230V 50Hz | B+C | ST |
| 0848166 | 14-140°F | yes | 105 | Female Rp1/2 | | Female Rp1/2 | ST | 120V 60Hz | B+C | HP |

(1) ST = Standard Capacity,
HI = High Capacity

(2) Ratio Adjuster:
no = not present
ST = Standard
HP = High Power



SPARE PARTS

| N. | Code | Description | Q.ty |
|----|-----------|--|------|
| A1 | 0.967.003 | 230 V, 50 Hz solenoid (black color- 6KV) | 10 |
| A2 | 0.967.160 | 230 V, 50 Hz solenoid (black color) | 10 |
| A3 | 0.967.165 | 220 V, 60 Hz solenoid (blue color) | 10 |

ACCESSORIES

| N. | Code | Description | Q.ty |
|----|-----------|--|------|
| 1 | 0.953.082 | EV1-EV2 plug screw | 100 |
| 2a | 0.960.400 | EV1-EV2 plug cable-L= 515 mm (4 wires) | 20 |
| 2b | 0.960.401 | EV1-EV2 plug cable L= 620 mm (3 wires) | 20 |
| 2c | 0.960.402 | EV1-EV2 plug cable L= 1,070 mm (3 wires) | 20 |
| 2d | 0.960.403 | EV1-EV2 plug cable L= 175 mm (4 wires) | 20 |
| 2e | 0.960.404 | EV1-EV2 plug cable L= 580 mm (3 wires) | 20 |

Subject to change without notice