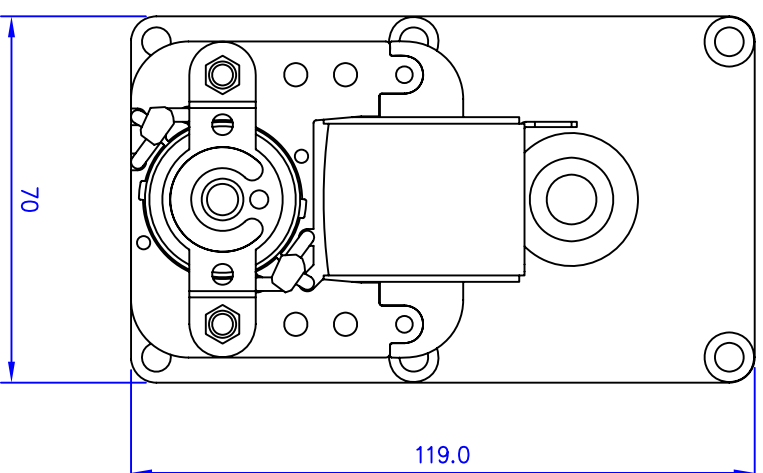
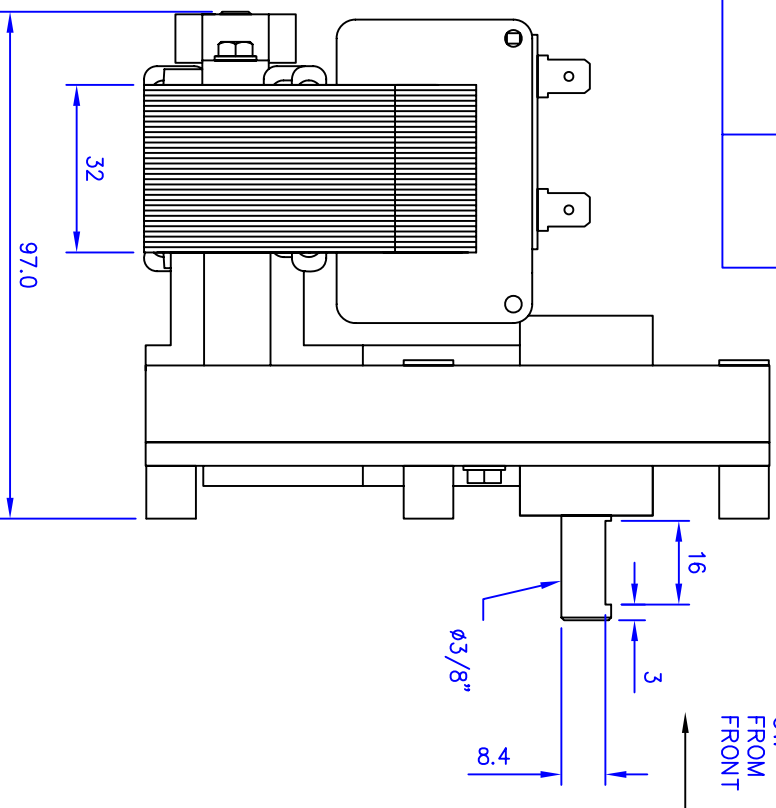
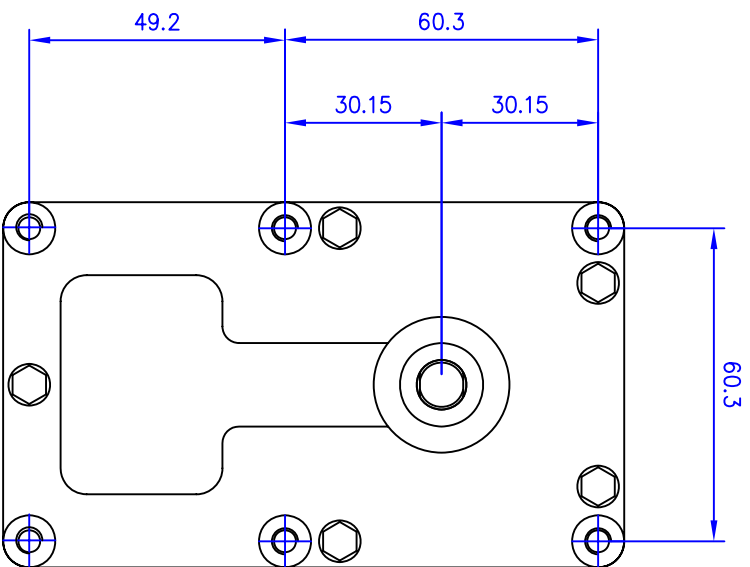


APPROVED	
SIGNATURE	DATE



HELICAL INPUT  
S.R.B.F. SHAFT 2 WHEEL  
NOISE REDUCING GREASE  
BALL RACE BEARINGS ON MOTOR

MOTOR SPEC

MEM 390 (230v 50HZ)  
1.25" BOBBIN (NYLON – GLASS FILLED CLASS F)  
SOLDERABLE POLYURETHANE WIRE (CLASS H, UL APPROVED)  
125°C SELF RESETTING THERMOSTAT FITTED (UL APPROVED)  
6.35mm MALE TAGS FITTED  
COVER WITH GLASS CLOTH TAPE (CLASS F)  
GEARBOX TO RUN CLOCKWISE WHEN VIEWED FROM THE FRONT

TECHNICAL DATA

INPUT POWER @ 230v 50Hz – 25WATTS  
NOMINAL CURRENT @ 230v 50Hz – 0.24Amps  
STALLED CURRENT @ 230v 50Hz – 0.37Amps  
OUTPUT TORQUE @ 230v 50Hz – 26Nm

MELLOR ELECTRICS Ltd  
BLACKBURN ENGLAND

APPROVED  
DRAWN

–  
LC

–  
26/10/11

CUSTOMER  
DESCRIPTION  
T3 SC9–125 3RPM 230v 50HZ

SOFITING ITALIA  
PART No  
FBI218