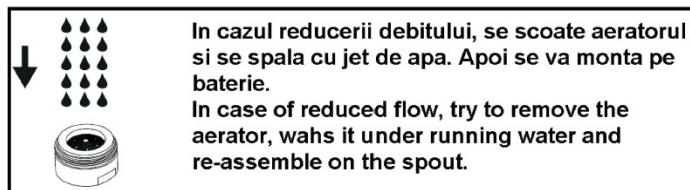
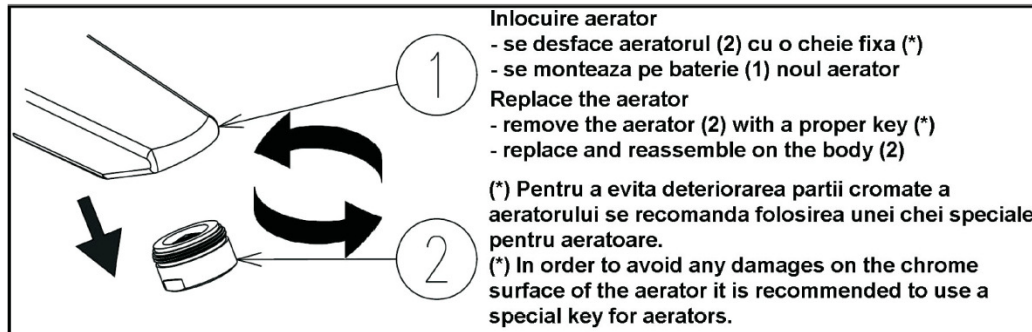
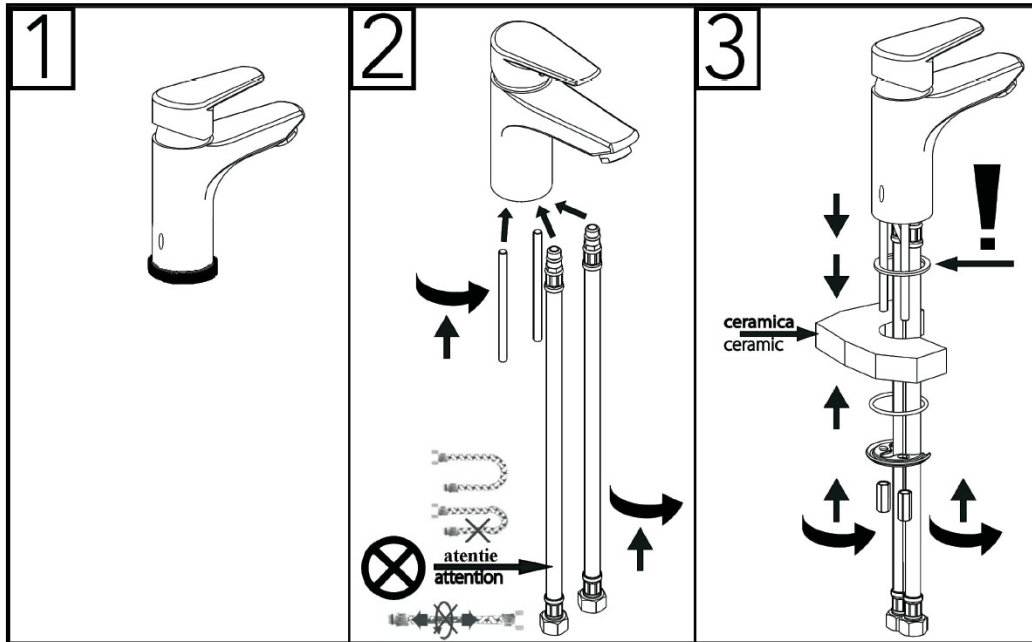


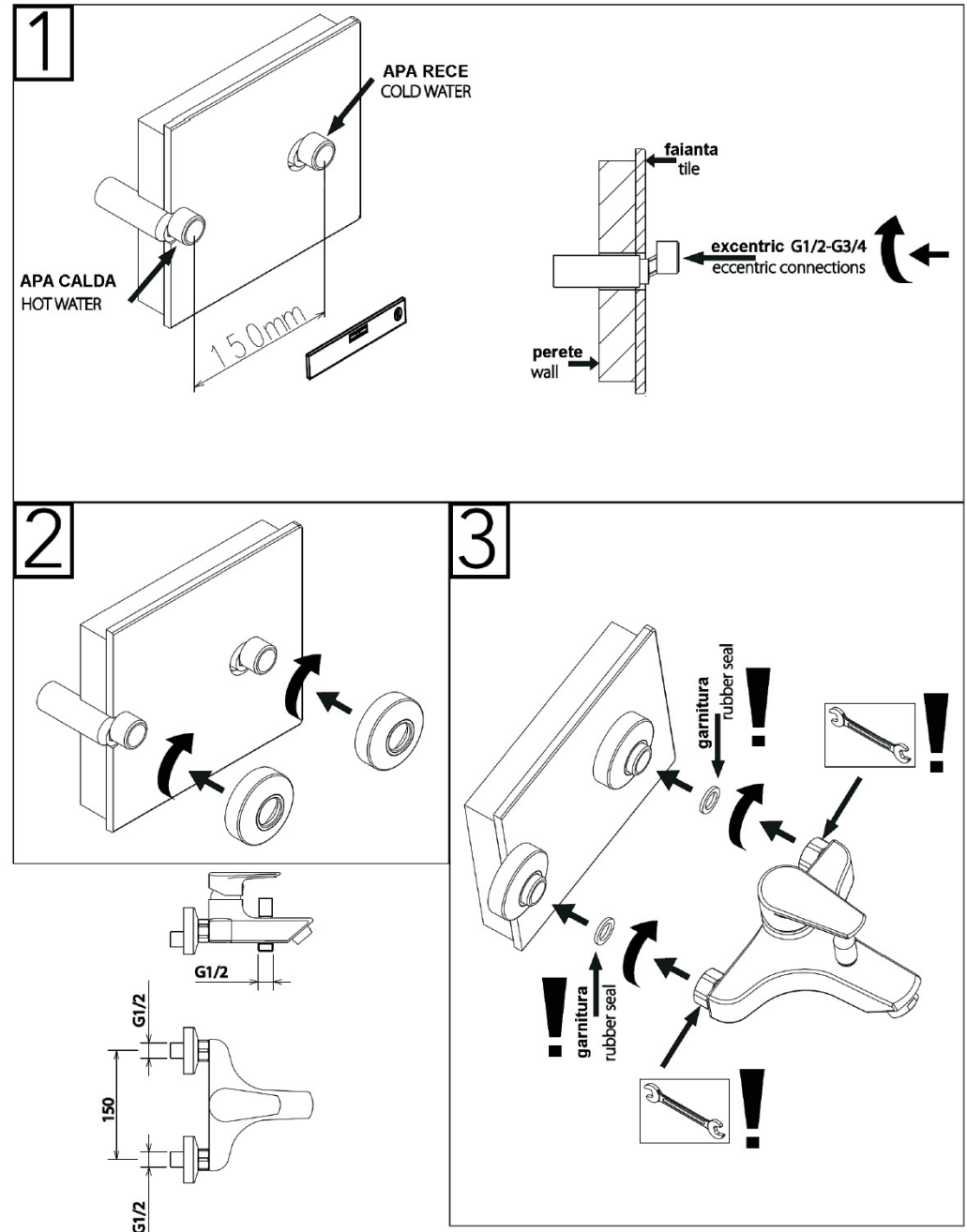
Baterie lavoar / Смеситель для умывальника

Baterie bideu / Смеситель для биде

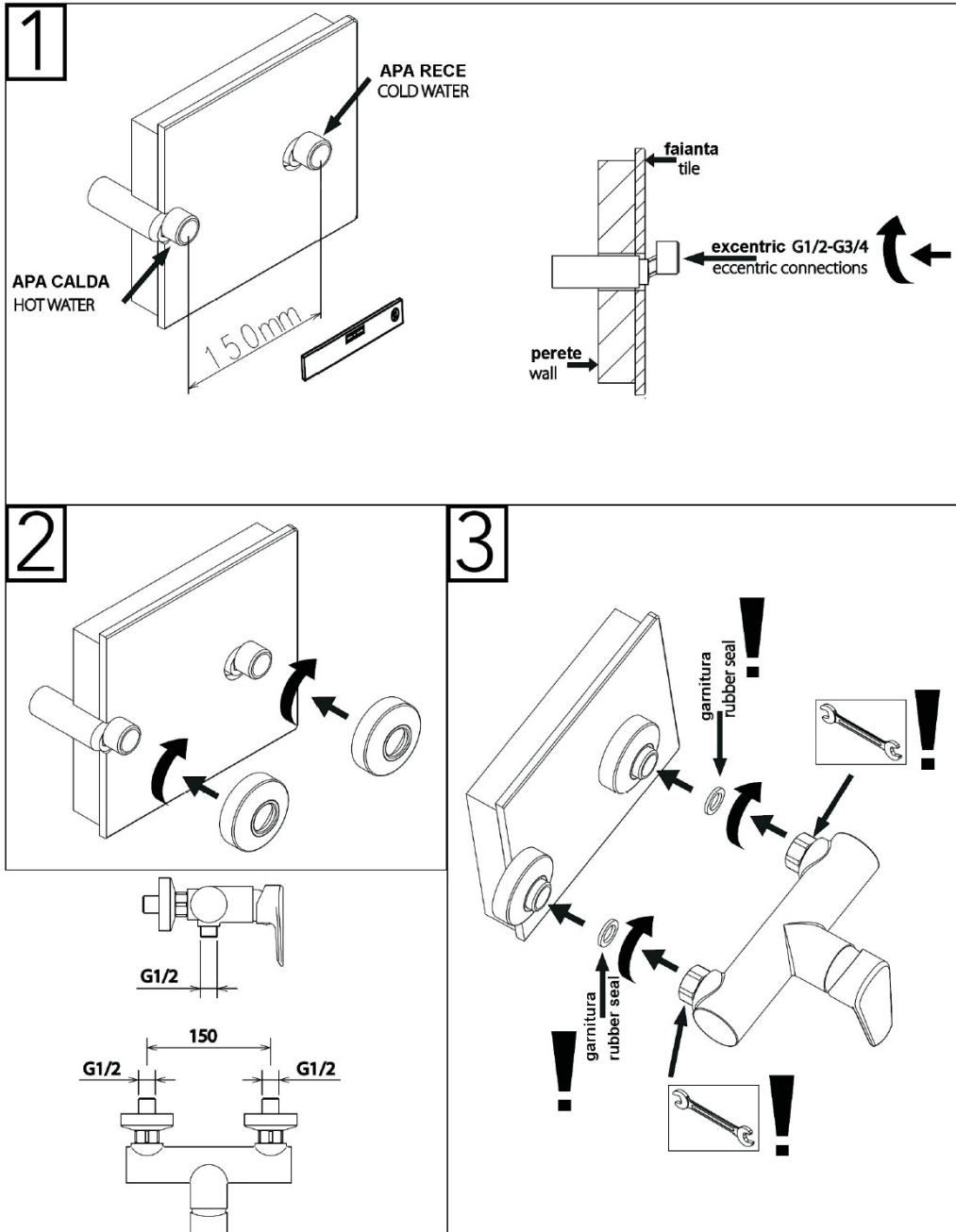
Baterie spalator / Смеситель для кухонной мойки



Baterie cada / Смеситель для ванны



Baterie dus / Смеситель для душевой кабины



Instructiuni de curatare pentru baterii si dusuri

Cleaning materials and cleaning instructions for mixers and showers

- Utilizati doar solutii de curatat destinate acestor tipuri de produse. // Only use cleaning material specifically intended for this type of cleaning.
- Nu folositi materiale care contin acid clorhidric, formic sau acetic, deoarece acestea produc daune considerabile ale suprafetei cromate. // Never use cleaning materials which contain hydrochloric, formic or acetic acid, as they cause considerable damage.
- Nu utilizati substante de curatat ce contin acid fosforic. // Never use Phosphoric acid as it can cause damage.
- Nu amestecati diverse substante de curatat. // Never mix any cleaning material with another.
- Nu folositi materiale de curatat cu efect abraziv, cum ar fi pulberile de curatat neadecvate, bureti sau carpe din microfibre. // Never use cleaning materials on appliances with an abrasive effect, such as unsuitable cleaning powders, sponge pads or micro fiber cloths.
- Timpul de curatare si dosajul solutiei de curatat trebuie ajustate astfel incat curatarea sa fie eficienta. Nu lasati pe produs substante de curatat o perioada de timp mai mare decat este nevoie. // The cleaning dosage and time the cleaner needs to take effect should be adjusted according to the product and the cleaner should not be left longer than necessary.
- Curatarea regulata poate preveni depunerile de calcar. // Regular cleaning can prevent calcification.
- Cand folositi substante de curatat de tip spray nu actionati direct asupra produsului. // When using spray cleaner, spray first into a cloth never directly onto the sanitary mixer/shower, as drops could enter openings and gaps and cause damage.
- Dupa curatare clatiti cu apa pentru a elimina depunerile ramase in timpul curatarii. // After cleaning, rinse thoroughly with clean water to remove any cleaner residue.
- Sapunul lichid, samponul sau gelul de dus pot deteriora suprafata cromata. Clatiti bine cu apa daca sunt urme ale acestora ramase pe produs. // Residues of liquid soaps, shampoos and shower foams can also cause damage, so rinse with clean water after use.
- Daca suprafata este deja deteriorata, substantele de curatare vor crea deteriorari ulterioare. // If the surface is already damaged, the effect of cleaning materials will cause further damage.

Deteriorarile aparute ca urmare a nerespectarii instalarii, utilizarii si curatarii nu sunt acoperite de garantie.

Damage caused by improper treatment will not be covered by our guarantee.