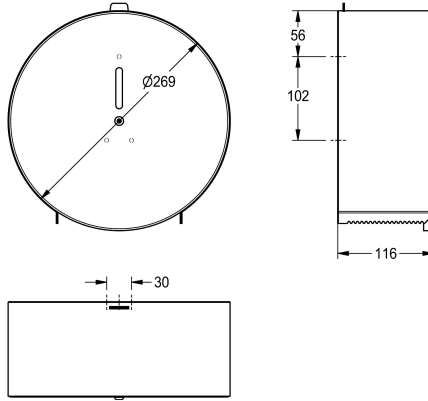


KWC

Jumbo toilet roll holder

Modell-Linie: ACCESSOIRES | CHR669

Accessories | WC-roll holders



KWC-No.

2000060983

Dimensions 269 x 269 x 116 mm (W x H x D)

Jumbo roll holder for wall mounting, stainless steel, surface satin finished, material thickness 0.8 mm, cylinder lock with KWC standard key, closed round casing with inspection window, paper withdrawal over two tear-off edges, for 1 roll with max. diameter

260 mm, includes stainless steel screws and dowels.

Dimensions 269 x 269 x 116 mm (W x H x D)

Technical Data

maximum depth/diameter of cons
maximum width of consumable
filling quantity
filling quantity uom
lock
material
material code
material thickness
overall depth
overall height
overall width
spindle
surface finish
type of fixing
type of mounting

260 mm
105 mm
1
rolls
key-lock
stainless steel
1.4301 Chrome Nickel steel V2A
0.8 mm
116 mm
269 mm
269 mm
yes
satin finished
screw
wall mounting