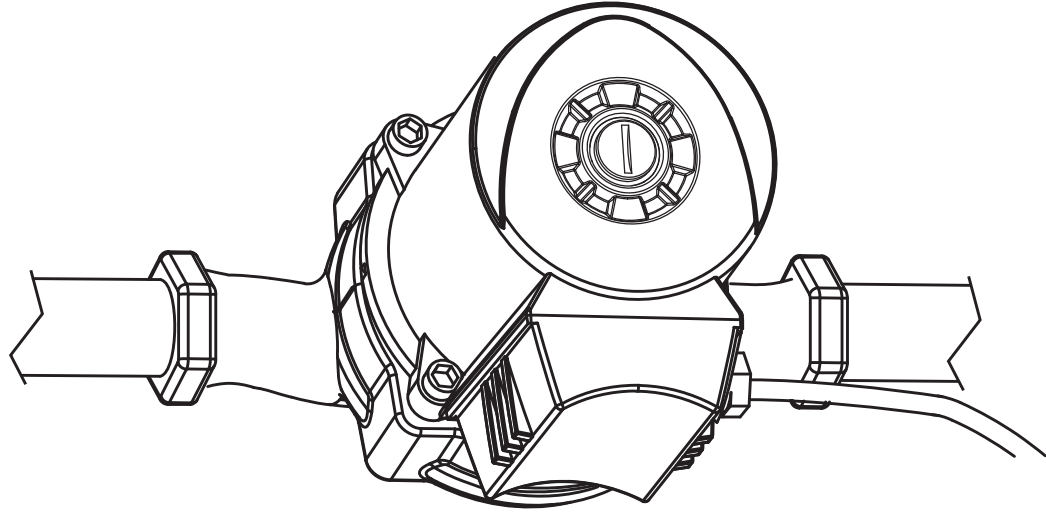


# VA - VB - VD VSA - VS A - B - D



MANUALE D'ISTRUZIONI  
MANUEL D'INSTRUCTIONS  
INSTRUCTIONS MANUAL  
GEBRAUCHSANWEISUNG  
INSTRUCȚIEHANDLEIDING  
MANUAL DE INSTRUCCIONES  
BRUKSANVISNING  
INSTRUKCJE OBSŁUGI  
PRÍRUČKA S NÁVODOM  
TALÍMAT KILAVUZU  
РУКОВОДСТВО ПО ЕКСПЛУАТАЦИИ  
MANUAL DE INSTRUCȚIUN  
ΕΓΧΕΙΡΙΔΙΟ ΟΔΗΓΙΩΝ

MANUAL DE INSTRUÇÕES  
OHJEKIRJA  
BRUGSANVISNING  
MANUÁL S INSTRUKCEMI  
KEZELÉSI UTASÍTÁS  
PRIROČNIK Z NAVODILI  
РЪКОВОДСТВО ЗА УПОТРЕБА  
KASUTUSJUHEND  
ROKASGRĀMATA  
VARTOTOJO INSTRUKCIJA  
説明手冊

دستور العمل استفاده

UPUTSTVO ZA RUKOVANJE  
КЕРІВНИЦТВО З ЕКСПЛУАТАЦІЇ

**DAB**<sup>®</sup>  
WATER • TECHNOLOGY

**(IT)**

Noi, DAB Pumps S.p.A. - Via M.Polo, 14 Mestrino (PD) Italy, dichiariamo sotto la nostra esclusiva responsabilità che i prodotti ai quali questa dichiarazione si riferisce sono conformi alle seguenti direttive:

- 2014/35/EU (Low Voltage)
- 2014/30/EU (Electromagnetic Compatibility Directive)
- 2011/65/EU (Restriction of the use of certain hazardous substances in electrical and electronic equipment - RoHS)

ed alle seguenti norme:

- EN 60335-1:2012/A13:2017
- EN 60335-2-51:2003/A2:2012

**(FR)**

Nous, DAB Pumps S.p.A. - Via M.Polo, 14 Mestrino (PD) Italy, déclarons sous notre responsabilité exclusive que les produits auxquels cette déclaration se réfère sont conformes aux directives suivantes:

- 2014/35/EU (Low Voltage)
- 2014/30/EU (Electromagnetic Compatibility Directive)
- 2011/65/EU (Restriction of the use of certain hazardous substances in electrical and electronic equipment - RoHS)

ainsi qu'aux normes suivantes:

- EN 60335-1:2012/A13:2017
- EN 60335-2-51:2003/A2:2012

**(GB)**

We, DAB Pumps S.p.A. - Via M.Polo, 14 Mestrino (PD) Italy, declare under our responsibility that the products to which this declaration refers are in conformity with the following directives:

- 2014/35/EU (Low Voltage)
- 2014/30/EU (Electromagnetic Compatibility Directive)
- 2011/65/EU (Restriction of the use of certain hazardous substances in electrical and electronic equipment - RoHS)

and with the following standards:

- EN 60335-1:2012/A13:2017
- EN 60335-2-51:2003/A2:2012

**(DE)**

Wir, DAB Pumps S.p.A. - Via M.Polo, 14 Mestrino (PD) Italy, erklären unter unserer ausschließlichen Verantwortlichkeit, dass die Produkte auf die sich diese Erklärung bezieht, den folgenden Richtlinien:

- 2014/35/EU (Low Voltage)
- 2014/30/EU (Electromagnetic Compatibility Directive)
- 2011/65/EU (Restriction of the use of certain hazardous substances in electrical and electronic equipment - RoHS)

sowie den folgenden Normen entsprechen:

- EN 60335-1:2012/A13:2017
- EN 60335-2-51:2003/A2:2012

**(NL)**

Wij, DAB Pumps S.p.A. - Via M.Polo, 14 Mestrino (PD) Italy, verklaren uitsluitend voor eigen verantwoordelijkheid dat de producten waarop deze verklaring betrekking heeft, conform de volgende richtlijnen zijn:

- 2014/35/EU (Low Voltage)
- 2014/30/EU (Electromagnetic Compatibility Directive)
- 2011/65/EU (Restriction of the use of certain hazardous substances in electrical and electronic equipment - RoHS)

en conform de volgende normen:

- EN 60335-1:2012/A13:2017
- EN 60335-2-51:2003/A2:2012

**(ES)**

Nosotros, DAB Pumps S.p.A. - Via M.Polo, 14 Mestrino (PD) Italy, declaramos bajo nuestra exclusiva responsabilidad que los productos a los que se refiere esta declaración son conformes con las directivas siguientes:

- 2014/35/EU (Low Voltage)
- 2014/30/EU (Electromagnetic Compatibility Directive)
- 2011/65/EU (Restriction of the use of certain hazardous substances in electrical and electronic equipment - RoHS)

y con las normas siguientes:

- EN 60335-1:2012/A13:2017
- EN 60335-2-51:2003/A2:2012

**(SE)**

Vi, DAB Pumps S.p.A. - Via M.Polo, 14 Mestrino (PD) Italy, försäkrar under eget ansvar att produkterna som denna försäkran avser är i överensstämmelse med följande direktiv:

- 2014/35/EU (Low Voltage)
- 2014/30/EU (Electromagnetic Compatibility Directive)
- 2011/65/EU (Restriction of the use of certain hazardous substances in electrical and electronic equipment - RoHS)

och följande standarder:

- EN 60335-1:2012/A13:2017
- EN 60335-2-51:2003/A2:2012

**(PL)**

My, DAB Pompy SpA - Via M. Polo, 14 Mestrino (PD) Wlochy, deklarujemy na naszą odpowiedzialność, że produkty, których dotyczy niniejsza deklaracja są zgodne z następującymi dyrektywami:

- 2014/35/EU (Low Voltage)
- 2014/30/EU (Electromagnetic Compatibility Directive)
- 2011/65/EU (Restriction of the use of certain hazardous substances in electrical and electronic equipment - RoHS)

oraz z następującymi normami:

- EN 60335-1:2012/A13:2017
- EN 60335-2-51:2003/A2:2012

**(SK)** My, DAB Pumps S.p.A. - Via M.Polo, 14 – Mestrino (PD) – Italy, vyhlasujeme na našu výhradnú zodpovednosť, že výrobky na ktoré sa toto vyhlásenie vzťahuje, vyhovujú nasledujúcim smerniciam:  
- 2014/35/EU (Low Voltage)  
- 2014/30/EU (Electromagnetic Compatibility Directive)  
- 2011/65/EU (Restriction of the use of certain hazardous substances in electrical and electronic equipment - RoHS)  
ve ašağıdaki standartlara uygun olduklarını beyan ederiz:  
- EN 60335-1:2012/A13:2017  
- EN 60335-2-51:2003/A2:2012

**(TR)** Biz, DAB Pumps S.p.A. - Via M.Polo, 14 Mestrino (PD) Italy, Münhasır sorumluluğumuz altında olarak aşağıda belirtilen ve işbu beyannamenin ilişkin olduğı ürünlerin aşağıdaki direktiflere:  
- 2014/35/EU (Low Voltage)  
- 2014/30/EU (Electromagnetic Compatibility Directive)  
- 2011/65/EU (Restriction of the use of certain hazardous substances in electrical and electronic equipment - RoHS)  
ve aşağıdaki standartlara uygun olduklarını beyan ederiz:  
- EN 60335-1:2012/A13:2017  
- EN 60335-2-51:2003/A2:2012

**(RU)** Мы, DAB Pumps S.p.A. - Via M.Polo, 14 Mestrino (PD) Italy, заявляем под полную нашу ответственность, что изделия к которым относится данное заявление, отвечают требованиям следующих директив:  
- 2014/35/EU (Low Voltage)  
- 2014/30/EU (Electromagnetic Compatibility Directive)  
- 2011/65/EU (Restriction of the use of certain hazardous substances in electrical and electronic equipment - RoHS)  
и следующих нормативов:  
- EN 60335-1:2012/A13:2017  
- EN 60335-2-51:2003/A2:2012

**(RO)** Noi, DAB Pumps S.p.A. - Via M.Polo, 14 Mestrino (PD) Italy, declarăm sub exclusivă noastră responsabilitate că produsele la care se referă această declarație sunt conforme cu următoarele directive:  
- 2014/35/EU (Low Voltage)  
- 2014/30/EU (Electromagnetic Compatibility Directive)  
- 2011/65/EU (Restriction of the use of certain hazardous substances in electrical and electronic equipment - RoHS)  
și cu următoarele norme:  
- EN 60335-1:2012/A13:2017  
- EN 60335-2-51:2003/A2:2012

**(GR)** Η εταιρεία, DAB Pumps S.p.A. - Via M.Polo, 14 Mestrino (PD) Italy, Δηλώνει υπεύθυνα πως τα προϊόντα στα οποία αναφέρεται η παρούσα δήλωση, συμμορφώνονται με τις προδιαγραφές των παρακάτω οδηγιών:  
- 2014/35/EU (Low Voltage)  
- 2014/30/EU (Electromagnetic Compatibility Directive)  
- 2011/65/EU (Restriction of the use of certain hazardous substances in electrical and electronic equipment - RoHS)  
και με τους παρακάτω κανονισμούς:  
- EN 60335-1:2012/A13:2017  
- EN 60335-2-51:2003/A2:2012

**(PT)** Nós, DAB Pumps S.p.A. - Via M.Polo, 14 Mestrino (PD) Italy, declaramos sob nossa exclusiva responsabilidade que os produtos aos quais esta declaração diz respeito, estão em conformidade com as seguintes directivas:  
- 2014/35/EU (Low Voltage)  
- 2014/30/EU (Electromagnetic Compatibility Directive)  
- 2011/65/EU (Restriction of the use of certain hazardous substances in electrical and electronic equipment - RoHS)  
e com as seguintes normas:  
- EN 60335-1:2012/A13:2017  
- EN 60335-2-51:2003/A2:2012

**(FI)** Me, DAB Pumps S.p.A. - Via M.Polo, 14 Mestrino (PD) Italy, vakuutamme ottaen täyden vastuun, että tuotteet joita tämä vakuutus koskee, ovat seuraavien direktiivien:  
- 2014/35/EU (Low Voltage)  
- 2014/30/EU (Electromagnetic Compatibility Directive)  
- 2011/65/EU (Restriction of the use of certain hazardous substances in electrical and electronic equipment - RoHS)  
ja seuraavien standardien mukaisia:  
- EN 60335-1:2012/A13:2017  
- EN 60335-2-51:2003/A2:2012

**(DK)** Vi, DAB Pumps S.p.A. - Via M.Polo, 14 Mestrino (PD) Italy, erklærer på eget ansvar, at produkterne der er omfattet af denne erklæring opfylder kravene i følgende direktiver:  
- 2014/35/EU (Low Voltage)  
- 2014/30/EU (Electromagnetic Compatibility Directive)  
- 2011/65/EU (Restriction of the use of certain hazardous substances in electrical and electronic equipment - RoHS)  
og i følgende standarder:  
- EN 60335-1:2012/A13:2017  
- EN 60335-2-51:2003/A2:2012

**(CZ)**

My, DAB Pumps S.p.A. - Via M.Polo, 14 Mestrino (PD) Italy, prohlašujeme na naši výhradní zodpovědnost, že výrobky na které se toto prohlášení vztahuje, vyhovují následujícím směrnici:

- 2014/35/EU (Low Voltage)
  - 2014/30/EU (Electromagnetic Compatibility Directive)
  - 2011/65/EU (Restriction of the use of certain hazardous substances in electrical and electronic equipment - RoHS)
- a následujícím normám:
- EN 60335-1:2012/A13:2017
  - EN 60335-2-51:2003/A2:2012

**(HU)**

Mi, DAB Pumps S.p.A. - Via M.Polo, 14 – Mestrino (PD) – Italy, Teljes felelősségünk tudatában kijelentjük, hogy a amelyekre a jelen nyilatkozat vonatkozik, megfelelnek az alábbi irányelveknek:

- 2014/35/EU (Low Voltage)
  - 2014/30/EU (Electromagnetic Compatibility Directive)
  - 2011/65/EU (Restriction of the use of certain hazardous substances in electrical and electronic equipment - RoHS)
- és a következő normáknak:
- EN 60335-1:2012/A13:2017
  - EN 60335-2-51:2003/A2:2012

**(SI)**

Mi, DAB Pumps S.p.A. - Via M.Polo, 14 Mestrino (PD) Italy, izjavljujemo na našo popolno odgovornost, da proizvodi na katere se ta izjava nanaša, so v skladu s sledečimi navodili:

- 2014/35/EU (Low Voltage)
  - 2014/30/EU (Electromagnetic Compatibility Directive)
  - 2011/65/EU (Restriction of the use of certain hazardous substances in electrical and electronic equipment - RoHS)
- kakor tudi s sledečimi pravili:
- EN 60335-1:2012/A13:2017
  - EN 60335-2-51:2003/A2:2012

**(BG)**

Ние, DAB Pumps S.p.A. - Via M.Polo, 14 Mestrino (PD) Italy, под нашата ексклузивна отговорност заявяваме, че изделията за които се отнася настоящото удостоверение, съответстват на следните директиви:

- 2014/35/EU (Low Voltage)
  - 2014/30/EU (Electromagnetic Compatibility Directive)
  - 2011/65/EU (Restriction of the use of certain hazardous substances in electrical and electronic equipment - RoHS)
- и на следните норми:
- EN 60335-1:2012/A13:2017
  - EN 60335-2-51:2003/A2:2012

**(EE)**

Meie, DAB Pumps S.p.A. - Via M.Polo, 14 – Mestrino (PD) – Italy, kinnitame omal vastutusel, et tooted millega see deklaratsioon seondub, vastavad järgmistele direktiividele:

- 2014/35/EU (Low Voltage)
  - 2014/30/EU (Electromagnetic Compatibility Directive)
  - 2011/65/EU (Restriction of the use of certain hazardous substances in electrical and electronic equipment - RoHS)
- ja järgmistele standarditele:
- EN 60335-1:2012/A13:2017
  - EN 60335-2-51:2003/A2:2012

**(LV)**

Mēs, DAB Pumps S.p.A. - Via M.Polo, 14 Mestrino (PD) Italy, saskaņā mūsu atbildību paziņojam, ka produkti uz kuriem attiecas šī deklarācija, atbilst šādām direktīvām:

- 2014/35/EU (Low Voltage)
  - 2014/30/EU (Electromagnetic Compatibility Directive)
  - 2011/65/EU (Restriction of the use of certain hazardous substances in electrical and electronic equipment - RoHS)
- un šādām normām:
- EN 60335-1:2012/A13:2017
  - EN 60335-2-51:2003/A2:2012

**(LT)**

Mes, DAB Pumps S.p.A. - Via M.Polo, 14 – Mestrino (PD) – Italy, atsakingai pareiškiamo, kad produktai atitinka šių direktyvų reikalavimus:

- 2014/35/EU (Low Voltage)
  - 2014/30/EU (Electromagnetic Compatibility Directive)
  - 2011/65/EU (Restriction of the use of certain hazardous substances in electrical and electronic equipment - RoHS)
- bei šių normų reikalavimus:
- EN 60335-1:2012/A13:2017
  - EN 60335-2-51:2003/A2:2012

**(CN)**

我们, 即 DAB Pumps S.p.A. - Via M.Polo, 14 Mestrino (PD) Italy, 基于独立承担责任的声明 本声明所涉及的这些产品符合以下指令:

- 2014/35/EU (Low Voltage)
  - 2014/30/EU (Electromagnetic Compatibility Directive)
  - 2011/65/EU (Restriction of the use of certain hazardous substances in electrical and electronic equipment - RoHS)
- 同时还符合以下标准:
- EN 60335-1:2012/A13:2017
  - EN 60335-2-51:2003/A2:2012

نحن

شارع م. بولو 14، ماسترينو (بادوفا) - إيطاليا

نصرح تحت مسؤوليتنا الخاصة بأن المنتجات التي إليها توجي هذه الشهادة مطابقة للأنظمة التالية:

- 2014/30/EU (Electromagnetic Compatibility Directive)
- 2011/65/EU (Restriction of the use of certain hazardous substances in electrical and electronic equipment - RoHS) والأنظمة التالية:
- EN 60335-1:2012/A13:2017
- EN 60335-2-51:2003/A2:2012

(RS)

Mi, DAB PUMPS S.p.a. – Via M.Polo, 14 Mestrino (PD), Italy, izjavljujemo pod punom odgovornošću da su proizvodi na koje se odnosi ova deklaracija u skladu sa sledećim direktivama:

- 2014/35/EU (Low Voltage)
- 2014/30/EU (Electromagnetic Compatibility Directive)
- 2011/65/EU (Restriction of the use of certain hazardous substances in electrical and electronic equipment - RoHS) i sledećim standardima :
- EN 60335-1:2012/A13:2017
- EN 60335-2-51:2003/A2:2012

(UA)

Ми, DAB Pumps S.p.A. - Via M.Polo, 14 Mestrino (PD) Italy, заявляємо під повну нашу відповідальність, що вироби до яких відноситься дана заява, відповідають вимогам наступних директив:

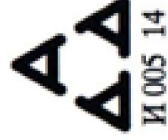
- 2014/35/EU (Low Voltage)
- 2014/30/EU (Electromagnetic Compatibility Directive)
- 2011/65/EU (Restriction of the use of certain hazardous substances in electrical and electronic equipment - RoHS) та наступних нормативів:
- EN 60335-1:2012/A13:2017
- EN 60335-2-51:2003/A2:2012

Mestrino (PD), 06/06/2018



Francesco Sinico  
Group R&D Director

RS: Znak Potvrde o usaglašenosti:



P071402966600

P0814080600

P0712940801

P0814080700