



EU DECLARATION OF CONFORMITY

The item of equipments which identified below has been subject to internal manufacturing checks with monitoring of the final assesment by ARIKAZAN MAK.SAN.VE.TİC.A.Ş

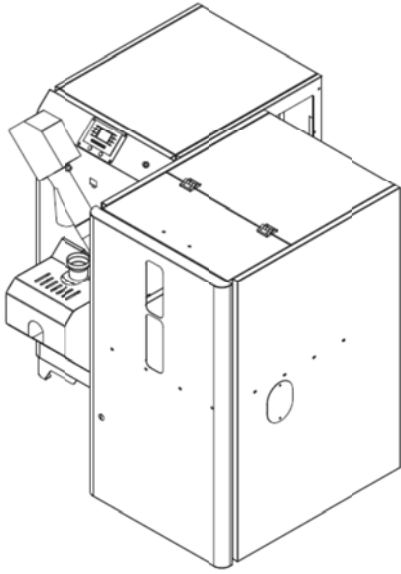
PRESSURE EQUIPMENT DESCRIPTION:

Pellet Fired Hot Water Boilers

SERIEs : ECO Mini Series

MODELs : ECM-12, ECM-23, ECM-40, ECM-60

SERIAL #s : Between 00000–99999 or E 00000–E 99999



MANUFACTURER:

NAME : ARIKAZAN MAK.SAN.VE.TİC.A.Ş
ADDRESS : OĞULBEY MAH. KUMLUDERE CAD. NO:4
GÖLBAŞI-ANKARA-TÜRKİYE
TEL : +90 312 615 51 11
FAX : +90 312 615 50 66
WEB : www.arikazan.com.tr

This declaration of conformity is issued under sole responsibility of the manufacturer.

The undersigned declares that the described products meet the essential requirements of the below mentioned European Directives

- Pressure Equipment Directive 2014/68/EU Categori III Module H,
- EcoDesign Requirements for Solid Fuel Boilers Directive 2015/1189/EU,
- Machinery Directive 2006/42/EC,
- Low Voltage Directive 2014/35/EU,
- Electromagnetic Compatibility Directive 2014/30/EU,
- Restriction of Use of Certain Hazardous Substance in Electrical and Electronical Equipment (RoHS) Directive 2015/65/EU

RELEVANT HARMONISED STANDARTS:

EN 303-5,
EN 12953-3,
EN ISO 12100:2010;
EN 60204-1:2006/AC:2010;
EN 61000-6-2:2005;
EN 61000-6-4:2007+A1:2011

NOTIFIED BODY:

No/Bo # : 1984
NAME : KIWA BELGELENDİRME HİZMETLERİ A.Ş.
ADDRESS : ITOSB 9. Cad. No:15
TUZLA-İSTANBUL-TÜRKİYE
TEL : +90 216 593 25 75
FAX : +90 216 593 25 74
WEB : www.kiwa.com.tr
CERTIFICATE NO :1984-PED-0001/2

ADDITIONAL INFORMATION:

**Name and Address of the
Person authorised to compile the
technical file** : ERHAN GÜNEL
OĞULBEY MAH. KUMLUDERE
CAD. NO:4
GÖLBAŞI-ANKARA-TÜRKİYE

SIGNED ON BE HALF OF THE MANUFACTURER

NAME : ERHAN GÜNEL
POSITION : DESIGN MANAGER
PLACE DATE : ANKARA
DATE : 05.12.2023

SIGNATURE

ARIKAZAN
MAKİNA SANAYİ VE TİC. A.Ş.
Konya Y. Bulvarı Oğulbey Mah.
Kumlu Dere Sok. No:4 ANKARA
Tel: 0312 501 20 20 E-posta: E-posta: 615 50 66
Göbeği V.D. 000 002 000 000 Tic. Sic. No: 50126

ANNEX

The products with the listed serial numbers were sent the Romstal – Romania according to the above declaration of the manufacturer after the certification validation.

BOILER TYPE	CODE	SERIAL NO	SHIPMENT DATE	WAYBILL NO	LOT NO
ECM 40	ECM 40	E 1831	18.09.2023	80	250523-C2.23
ECM 40	ECM 40	E 1853	30.10.2023	96	250523-C2.02
ECM 40	ECM 40	E 1834	3.11.2023	102	250523-C2.22
ECM 40	ECM 40	E 1835	3.11.2023	102	250523-C2.20
ECM 40	ECM 40	E 1836	3.11.2023	102	250523-C2.15
ECM 40	ECM 40	E 1837	3.11.2023	102	260523-C2.02
ECM 40	ECM 40	E 1838	3.11.2023	102	250523-C2.14
ECM 40	ECM 40	E 1839	3.11.2023	102	250523-C2.17
ECM 40	ECM 40	E 1840	3.11.2023	102	250523-C2.21
ECM 40	ECM 40	E 1841	3.11.2023	102	260523-C2.07
ECM 40	ECM 40	E 1842	3.11.2023	102	260523-C2.03
ECM 40	ECM 40	E 1843	3.11.2023	102	250523-C2.18
ECM 60	ECM 60	E 1844	3.11.2023	102	090523-C2.01
ECM 60	ECM 60	E 1845	3.11.2023	102	100523-C2.06
ECM 60	ECM 60	E 1846	3.11.2023	102	090523-C2.04
ECM 60	ECM 60	E 1847	3.11.2023	102	241023-C2.10
ECM 60	ECM 60	E 1848	3.11.2023	102	241023-C2.01
ECM 60	ECM 60	E 1849	3.11.2023	102	241023-C2.09
ECM 60	ECM 60	E 1850	3.11.2023	102	241023-C2.03
ECM 60	ECM 60	E 1851	3.11.2023	102	241023-C2.06
ECM 60	ECM 60	E 1832	3.11.2023	102	100523-C2.15