



- 1" (NPT or BSP)
- Electric

The name says it all – EZ. Easy to install and easy to service, these Toro® valves are easy to choose. Perfect for residential applications, EZ-Flo Plus valves are available in a broad range of configurations providing the flexibility you need.



Learn more at toro.com

Features & Benefits

Jar-Top Design

Requires no screws and provides fast and easy servicing.

PVC, Glass-Filled Nylon and Stainless Steel Construction

Provides longer life span and leak protection in nearly any environment.

Double-beaded, Chloramine and Ozone-Resistant Santoprene® Diaphragm

Ensures a consistent, leak-proof seal all the way up to 10,3 Bar (150 psi).

In-Line or Anti-Siphon Models

Ample selection for new and retrofit installations.

Optional Flow Control

Adjusts the flow of each zone on a system.

Water Management Highlight



EZ-Flo® Plus with DC Latching Solenoid

EZ-Flo valves can be ordered with pre-installed DC Latching solenoids providing cost and labor savings. Perfect for use with Toro controllers, especially DDCWP and TDC.



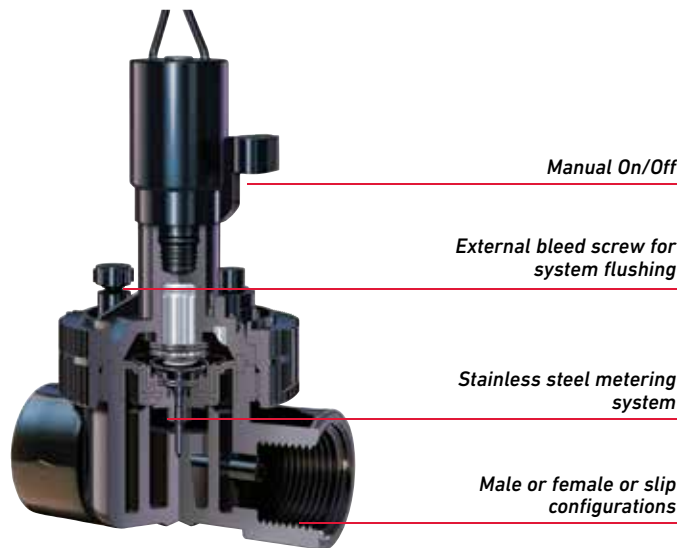
Jar-Top for Ease of Use

No screws mean less time flushing out the system on start-up. Cleaning the diaphragm area is uncomplicated as it requires no tools. EZ-Flo Plus valves are simple to service – it's that easy.



EZ-Flo® Friction Loss Data—Metric

Size	Model	LPM Flow					
		1	19	38	57	76	114
1"	Inline	0,14	0,24	0,28	0,31	0,32	0,43
1"	Anti-siphon	0,14	0,14	0,31	0,16	0,26	0,56



EZ-Flo Plus Series Model List	
International Models (EZP-)	
Model	Description
50Hz Solenoids	
EZP-02-54	1", Male X Male, BSP
EZP-22-54	1", Male X Male, BSP, w/ Flow Control
EZP-03-54	1", Female, BSP
EZP-23-54	1", Female, BSP, w/ Flow Control
DC-Latching Solenoid	
EZP-02-94	1", Male X Male, BSP, DCLS-P, w/o Flow Control
EZP-22-94	1", Male X Male, BSP, DCLS-P, w/ Flow Control
EZP-23-94	1", Female, BSP, DCLS-P, w/ Flow Control
EZP-03-94	1", Female, BSP, DCLS-P, w/o Flow Control
Less Solenoid	
EZP-02-64	1", Male X Male, BSP, Less Solenoid
EZP-03-64	1", Female, BSP, Less Solenoid
EZP-22-64	1", Male X Male, BSP, w/ Flow Control, Less Solenoid

Specifications

Dimensions

- Female Globe: 130 x 75 x 101mm (5 1/8" x 3" x 4") H x W x L
- Male Globe: 130 x 75 x 140mm (5 1/8" x 3" x 5 1/2") H x W x L
- Anti-Siphon: 152 x 75 x 175mm (6" x 3" x 6 7/8") H x W x L

Operating Specifications and Additional Features

- Flow Range:
 - 1": 0,9-113,5 LPM (0,25-30 GPM)
- Operating Pressure: 0,68-10,32 Bar (10-150 psi)
- Encapsulated solenoid (118-5983) with captured hex plunger, assembly (24 VAC):
- Inrush current, 0,34 amps
- Holding current, 0,2 amps
- Available with or without flow control

Options Available

- DCLS-P — Potted DC Latching Solenoid
- EFF-KIT-50Hz— Effluent Solenoid Assembly and Tag

Warranty

- Three years

Specifying Information—EZ-Flo® Plus

EZF X-X-X-X				
Model	Flow Control	Body Style	Solenoid	Size
EZF	X	X	0X	0X
EZF—EZ-Flo Plus Valve EZF—EZ-Flo Plus Valve, BSP	0—Without Flow Control 2—With Flow Control	0—1" Slip x Slip 1—1" Male x Male NPT 2—1" Male x Male BSP 3—1" Female BSP 5—Male NPT x Barb 6—1" Female NPT 9—Anti-siphon	0—60Hz Solenoid 5—50Hz Solenoid 6—Less Solenoid 9—DCLS-P	4—1"
Example: A 1" (25mm) EZ-Flo Plus Valve with slip configuration and flow control would be specified as: EZF-20-04				

toro.com

Worldwide Headquarters
The Toro Company
8111 Lyndale Ave. So.
Bloomington, MN 55420 U.S.A.
Phone: (1) 952 888 8801
Fax: (1) 952 887 8258

Printed in U.S.A.
©2016 The Toro Company.
All Rights Reserved.
GB 200-XXXXNA Electronic file only.



facebook.com
twitter.com/TheToroCompany
youtube.com/ToroCompanyEurope



Count on it.