

434B



MALE-FEMALE VALVE WITH T-HANDLE

TECHNICAL SPECIFICATIONS

WORKING TEMPERATURE: 0°C - 110°C (32°F-230°F)

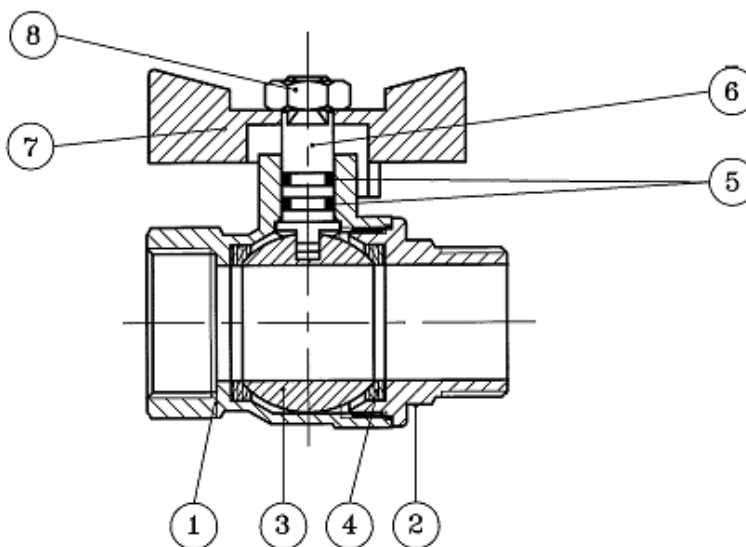
THREADS: ISO 228

SIZES: FROM 1/2" TO 2"

TO BE USED IN TOTALLY OPEN/CLOSE POSITION



MATERIALS



POS.	DESCRIPTION	N.	MATERIAL
1	BODY	1	CW617N UNI EN 12165 NICKEL PLATED
2	UNION	1	CW617N UNI EN 12165 NICKEL PLATED
3	BALL	1	CW617N UNI EN 12165 CHROMED
4	SEAT	2	PTFE
5	O-RING	2	NBR
6	STEM	1	CW614N UNI EN 12164
7	LEVER HANDLE	1	ALUMINUM
8	NUT	1	STEEL



NOMINAL PRESSURE

	1/4"	3/8"	1/2"	3/4"	1"	1 1/4"	1 1/2"	2"	3"	4"
PN	-	-	25	25	25	-	-	-	-	-

OVERALL DIMENSIONS

$\varnothing D$	L	M	H
1/2"	51	54	42
3/4"	61	54	45
1"	70	64	51

