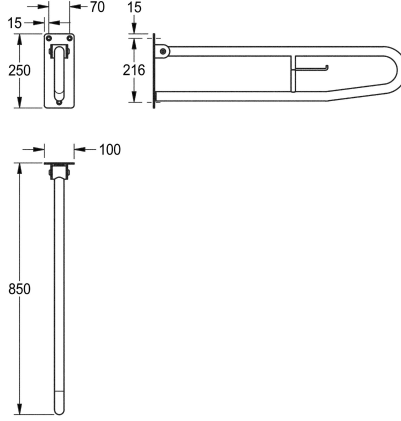


KWC CONTINA Hinged grab rail

Modell-Linie: CONTINA | CNTX73A
Grab rails | Grab rail



KWC-No.

2000103669

Dimensions 100 x 249 x 850 mm (W x H x D)

2000057751

Length 700 mm

overall depth

850 mm

700 mm

Foldable grab rail with toilet roll holder for wall mounting, stainless steel, surface satin finished, rough polishing for better surface feel, 32 mm pipe diameter, material thickness 1.2 mm, integrated toilet roll holder, prevention against unmeant folding, gum rubber stop absorber, 4 mm thick mounting plate with three fixing holes, includes

stainless steel screws and dowels.

Dimensions 100 x 250 x 850 mm (W x H x D)
Complying with Norm ÖNORM B 1600:2017 (when upfolded, bar shows max. 20 cm towards room)

Technical Data

back	no
bending angle	180 Degree
colour	no colour
number of fixing points	3
hidden fixing	no
hinged	yes
material	stainless steel
material code	1.4301 Chrome Nickel steel V2A
material thickness	1.2 mm
overall depth	850 mm
overall height	250 mm
overall width	100 mm
pipe diameter	32 mm
surface finish	satin finished
type of fixing	screw
type of grab rail	support bar
type of mounting	wall mounting